



DuoMode™
Cable

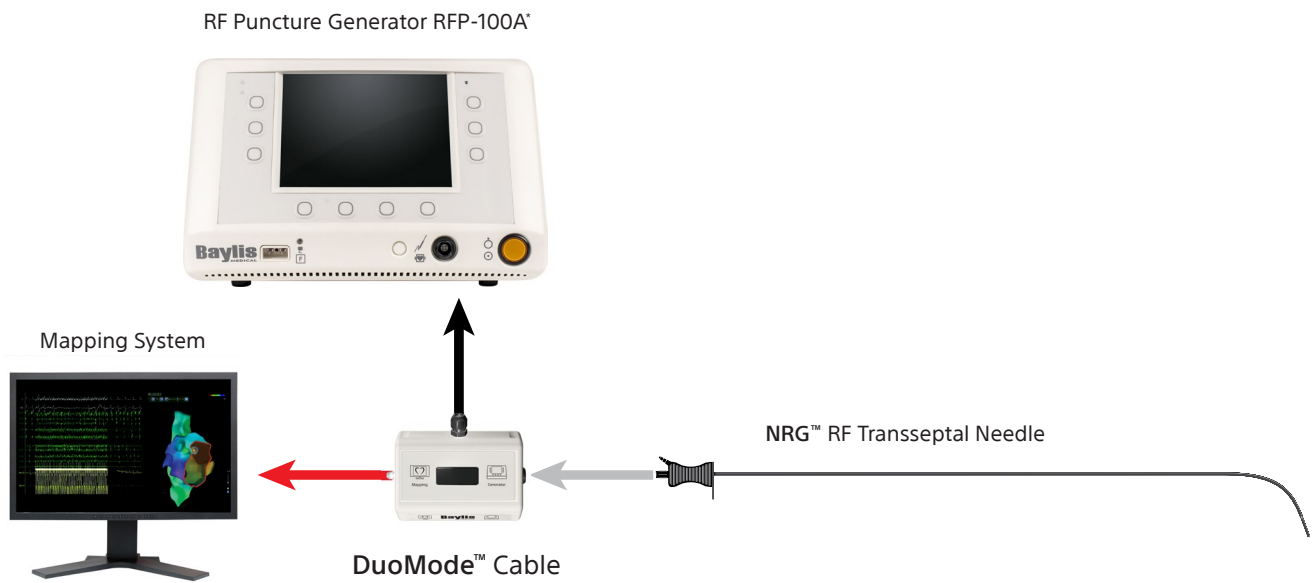


See the **NRG™** Transseptal Needle on your mapping system

DuoMode™ Cable

See the **NRG™** Transseptal Needle on your mapping system

DuoMode™ Cable — Easy Setup



ORDERING INFORMATION

DuoMode™ Cable	NRG™ Transseptal Needle
RFX-BAY-DUO-100A	NRG-E-56-XX-C0
	NRG-E-HF-XX-C0
	NRG-E-HF-XX-C1

*Baylis Medical Company Radiofrequency Puncture Generator RFP-100A. Baylis Medical Company is a wholly-owned subsidiary of Boston Scientific Corporation. All trademarks are property of their respective owners. Patents Pending and/or issued. Caution: The law restricts this device to sale by or on the order of a physician. Indications, Contraindications, Warnings, and Instructions For Use can be found in the product labelling supplied with each device or at www.baylismedical.com.

Products shown for INFORMATION purposes only and may not be approved or for sale in certain countries. This material not intended for use in France.



**Boston
Scientific**
Advancing science for life™

© 2023 Boston Scientific Corporation
or its affiliates. All rights reserved.
EP-1591705-AA