

Instructions for Use

SupraCross® RF Wire



English.....	1
Français.....	3
Deutsch.....	4
Nederlands.....	6
Italiano.....	8
Español.....	9
Português.....	11



Baylis Medical Company Inc.
5959 Trans-Canada Highway
Montreal, Quebec, Canada, H4T 1A1
Tel: (514) 488-9801/ (800) 850-9801
Fax: (514) 488-7209
www.baylismedical.com



EU Authorized Representative:
Quality First International OÜ
Laki 30, 12915 Tallinn
Estonia
Telephone: +372 610 41 96
Email: enquiries@qualityfirstint.ee

© Copyright Baylis Medical Company Inc., 2016-2021

The Baylis Medical Company logo and SupraCross are trademarks and/or registered trademarks of Baylis Medical Company Inc. in the USA and/or other countries. Patents pending and/or issued.

English

Carefully read all instructions prior to use. Observe all contraindications, warnings and precautions noted in these instructions. Failure to do so may result in patient complications.

Caution: Federal (U.S.A.) law restricts this device to sale by or on the order of a physician.

I. DEVICE DESCRIPTION

The *SupraCross* RF Wire is packaged with a Baylis Connector Cable. The *SupraCross* RF Wire must be used with an approved Baylis Radiofrequency Puncture Generator (Baylis RF Generator) and Baylis Connector Cable (Connector Cable).

The *SupraCross* RF Wire delivers radiofrequency (RF) power in a monopolar mode between its distal electrode and a commercially available external Disposable Indifferent (Dispersive) Patch (DIP) Electrode, which is in compliance with IEC 60601-2-2 standards. The Connector Cable connects the Baylis RF Generator to the *SupraCross* RF Wire. This Connector Cable enables RF power to be delivered from the Baylis RF Generator to a *SupraCross* RF Wire.

Detailed information concerning the Baylis RF Generator is contained in a separate manual that accompanies the Generator (entitled "Baylis Radiofrequency Puncture Generator Instructions for Use"). Baylis RF Generators compatible with the *SupraCross* RF Wire include the RFP-100A.

The dimensions of the *SupraCross* RF Wire and the Baylis Connector Cable can be found on the device label. The insulation on the body of the *SupraCross* RF Wire facilitates smooth advancement of the device and provides electrical insulation. The floppy distal portion of the *SupraCross* RF Wire has a small curve and the active tip is rounded to be atraumatic to cardiac tissue unless RF energy is applied. A marker coil is positioned on the curve for visualization under fluoroscopy. The main body of the *SupraCross* RF Wire provides a stiff rail for advancing ancillary devices into the left atrium following creation of an atrial septal defect. The floppy proximal portion of the *SupraCross* RF Wire has a large circular curve and the proximal end is bare metal to connect with the included Connector Cable. The other end of the included Connector Cable connects to the Baylis RF Generator.

II. INDICATIONS FOR USE

The *SupraCross* RF Wire is indicated for creation of an atrial septal defect in the heart.

III. CONTRAINDICATIONS

The *SupraCross* RF Wire is not recommended for use with any conditions that do not require the creation of an atrial septal defect.

The Baylis Connector Cable, packaged with the *SupraCross* RF Wire, is not recommended for use with any other RF Generator or any other device.

IV. WARNINGS

- Only physicians with a thorough understanding of angiography and percutaneous interventional procedures should use this device. It is recommended that physicians avail themselves of pre-clinical training, a review of pertinent literature and other appropriate education before attempting new interventional procedures.
- The *SupraCross* RF Wire and Baylis Connector Cable (Connector Cable) are supplied STERILE using an ethylene oxide process. Do not use if the package is damaged.
- Laboratory staff and patients can undergo significant x-ray exposure during radiofrequency puncture procedures due to the continuous usage of fluoroscopic imaging. This exposure can result in acute radiation injury as well as increased risk for somatic and genetic effects. Therefore, adequate measures must be taken to minimize this exposure.
- The *SupraCross* RF Wire and Connector Cable are intended for single patient use only. Do not attempt to sterilize and reuse either device. Reuse can cause the patient injury and/or the communication of infectious disease(s) from one patient to another. Failure to do so may result in patient complications.
- The *SupraCross* RF Wire must be used with the Connector Cable provided. Attempts to use it with other connector cables can result in electrocution of the patient and/or operator.
- The Connector Cable must only be used with Baylis Radiofrequency Puncture Generator (Baylis RF Generator) and the included *SupraCross* RF Wire. Attempts to use it with other RF Generators and devices can result in electrocution of the patient and/or operator.

- The *SupraCross* RF Wire must be used with 0.035" Compatible Transseptal Sheath and Dilator devices.
- The active tip and distal curve of the *SupraCross* RF Wire are fragile. Be careful not to damage the tip or the distal curve while handling the *SupraCross* RF Wire. If the tip or the distal curve becomes damaged, discard the *SupraCross* RF Wire immediately.
- If the active tip of the *SupraCross* RF Wire becomes bent at any time during its use, dispose of the *SupraCross* RF Wire immediately. Do not attempt to straighten the active tip.
- The *SupraCross* RF Wire is not intended for use with neonatal patients (less than one month of age). Do not attempt to treat neonatal patients with the *SupraCross* RF Wire.

V. PRECAUTIONS

- Do not attempt to use the *SupraCross* RF Wire and Baylis Connector Cable (Connector Cable) or ancillary equipment before thoroughly reading the accompanying Instructions for Use.
- Radiofrequency puncture procedures should be performed only by physicians thoroughly trained in the techniques of radiofrequency powered puncture in a fully equipped catheterization laboratory.
- The sterile packaging should be visually inspected prior to use to detect any compromise. Ensure that the packaging has not been damaged. Do not use the equipment if the packaging has been compromised.
- Visually inspect the *SupraCross* RF Wire and Connector Cable prior to use to ensure there is no cracking or damage to the insulating material. Do not use the wire or the cable if there is any damage.
- Do not use the *SupraCross* RF Wire and/or Connector Cable after the USE BY date indicated on the label.
- The *SupraCross* RF Wire and Connector Cable is intended for use with only those devices listed in Section VIII, Equipment Required.
- Read and follow the manufacturer's instructions for use of the Disposable Indifferent (Dispersive) Patch (DIP) electrode. Always use DIP electrodes that meet or exceed IEC 60601-2-2 requirements.
- Placement of the dispersive electrode on the thigh could be associated with higher impedance.
- In order to prevent the risk of ignition, ensure that flammable materials are not present in the room during RF power application.
- Take precautions to limit the effects that the electromagnetic interference (EMI) produced by the Baylis Radiofrequency Puncture Generator (Baylis RF Generator) may have on the performance of other equipment. Check the compatibility and safety of combinations of other physiological monitoring and electrical apparatus to be used on the patient in addition to the Baylis RF Generator.
- Adequate filtering must be used to allow continuous monitoring of the surface electrocardiogram (ECG) during radiofrequency power applications.
- Do not attempt to insert and use the proximal end of the *SupraCross* RF Wire as the active tip.
- Do not attempt to insert or retract the *SupraCross* RF Wire through a metal cannula or a percutaneous needle.
- Do not bend the *SupraCross* RF Wire or the Connector Cable. Excessive bending or kinking of the wire shaft, distal curve, or proximal curve may damage the integrity of the *SupraCross* RF Wire and may cause patient injury. Care must be taken when handling the RF Wire and Connector Cable.
- Careful manipulation of the *SupraCross* RF Wire must be performed to avoid vessel trauma. *SupraCross* RF Wire and Dilator advancement should be done under imaging guidance. If resistance is encountered, DO NOT use excessive force to advance or withdraw the *SupraCross* RF Wire or Dilator.
- Do not attempt to deliver radiofrequency energy until the active tip of the *SupraCross* RF Wire is confirmed to be in good contact with the target tissue.
- It is recommended not to exceed five (5) RF power applications per *SupraCross* RF Wire.
- Never disconnect the Connector Cable from the Baylis RF Generator while the Generator is delivering RF power.
- Never disconnect the Connector Cable from the Baylis RF Generator by pulling on the cable. Failure to disconnect the cable properly may result in damage to the cable.
- Do not twist the Connector Cable while inserting or removing it from the Isolated Patient Connector on the Baylis RF Generator. Twisting the cable may result in damage to the pin connectors.
- The Baylis RF Generator is capable of delivering significant electrical power. Patient or operator injury can result from improper handling of the *SupraCross* RF Wire and/or DIP electrode, particularly when operating the device.
- During power delivery, the patient should not be allowed to come in contact with ground metal surfaces.
- Apparent low power output or failure of the equipment to function properly at normal settings may indicate faulty application of the DIP electrode, failure to an electrical lead, or poor tissue contact at the active tip. Check for obvious equipment defects or misapplication. Attempt to better position the active tip of the *SupraCross* RF Wire against the atrial septum. Only increase the power if low power output persists.
- Baylis Medical Company relies on the physician to determine, assess and communicate to each individual patient all foreseeable risks of the Baylis Medical Radiofrequency Puncture System.

VI. PRODUCT SPECIFICATIONS

Product	SupraCross RF Wire	Product	RFP 100A Connector Cable
Useable Length	180cm	Useable Length	10 feet/3m
Outside Diameter	0.035" / 0.89mm	Generator Connector	4-pin (1-pin)
Marker Coil	1 x 30mm Coil Proximal of Electrode	Device Connector	Push Button

VII. ADVERSE EVENTS

Adverse events that may occur while creating an atrial septal defect include:

Tamponade	Sepsis/Infection	Thromboembolic episodes
Vessel perforation	Atrial Fibrillation	Myocardial Infarction
Vessel spasm	Sustained arrhythmias	Atrial Flutter
Hemorrhage	Vascular thrombosis	Perforation of the myocardium
Hematoma	Allergic reaction to contrast medium	Ventricular Tachycardia
Pain and Tenderness	Arteriovenous fistula	

VIII. EQUIPMENT REQUIRED

Radiofrequency transseptal procedures should be performed in a specialized clinical setting equipped with a fluoroscopy unit, radiographic table, echocardiography imaging, physiologic recorder, emergency equipment and instrumentation for gaining vascular access. Ancillary materials required to perform this procedure include:

- Baylis Radiofrequency Puncture Generator (RFP-100A)
- 0.035" Compatible Transseptal Sheath/Dilator kit
- Disposable Indifferent (dispersive) Patch (DIP) electrode must meet or exceed IEC 60601-2-2 requirements for electrosurgical electrodes

IX. INSPECTION PRIOR TO USE

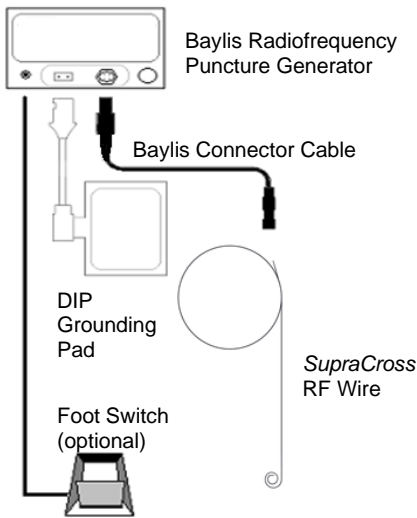
Prior to performing the procedure, the individual components including the Baylis Radiofrequency Puncture Generator, *SupraCross* RF Wire and the Baylis Connector Cable (Connector Cable) should be carefully examined for damage or defects, as should all equipment used in the procedure. Do not use defective equipment. Do not reuse the RF Wire and/or Connector Cable.

X. DIRECTIONS FOR USE

- All instructions for equipment required should be carefully read, understood, and followed. Failure to do so may result in complications.
- The *SupraCross* RF Wire and Baylis Connector Cable (Connector Cable) are supplied sterile. Use aseptic technique when opening the package and handling the product in the sterile field.

- Connect the generator connector end of the Connector Cable to the isolated patient connector port on the Baylis Radiofrequency Puncture RF Generator (Baylis RF Generator) as per the Baylis RF Generator Instructions for Use. Gently line up the connector pins with the socket and push in until the connector fits firmly into the socket. Any attempt to connect the cable otherwise will damage the pins on the connector.
- Do not use excessive force in connecting the Connector Cable to the Baylis RF Generator. Use of excessive force may result in damage to the connector pins.
- Thoroughly flush the Transseptal Dilator (not supplied).
- Perform a standard vein puncture at the desired access site using an access needle (not supplied).
- A Transseptal Sheath and Dilator are usually inserted through the access site and are then advanced over a guidewire to be positioned into the superior vena cava (SVC) under fluoroscopic guidance.
- Remove the guidewire.
- Using the provided tip straightener, straighten the distal curve of the *SupraCross* RF Wire.
- Insert the tip of the *SupraCross* RF Wire into the dilator hub and advance wire through the sheath/dilator set until the wire tip is just within the dilator tip.
- Firmly grasp the catheter connector end of the Connector Cable in one hand. Using your thumb depress the red button on the top of the connector. Slowly insert the proximal end of the *SupraCross* RF Wire into the opening of the catheter connector. Once the exposed portion of the proximal end of the device is no longer visible release the red button on the connector. Gently tug on the device to ensure that you have a secure connection.
- Position the wire/sheath/dilator assembly in the right atrium against the fossa ovalis under fluoroscopic guidance using standard technique. Echocardiographic guidance is also recommended.
- Apply pressure to the dilator to tent the septum at the fossa ovalis.
- Advance the *SupraCross* RF Wire so that the active tip is engaging the septum at the fossa ovalis, but still within the dilator.
- Once appropriate positioning has been achieved, deliver RF power via the Baylis RF Generator to the active tip. This results in puncture of the targeted cardiac tissue. Please refer to the Baylis RF Generator Instructions for Use for the correct operation of the generator.
- Apply firm pressure to the *SupraCross* RF Wire during the application of RF energy to successfully advance *SupraCross* RF Wire through the tissue.
- **NOTE: For Baylis RF Generator units, use the lowest appropriate RF settings to achieve the desired puncture.**
 - For RFP-100A: An initial RF setting between one (1) second on "PULSE" mode to two (2) seconds on "CONSTANT" mode has been shown to be sufficient for successful puncture.
- Radiofrequency power delivery can be terminated by pressing the RF ON/OFF button on the Generator if the timer has not expired.
- Entry into the left atrium can be confirmed by monitoring the *SupraCross* RF Wire under fluoroscopy. Echocardiographic guidance is also recommended.
- If septal puncture is not successful after five (5) RF power applications, it is advised that the user utilize an alternate method for the procedure.
- Once the puncture is successfully completed, the *SupraCross* RF Wire should be mechanically advanced without any RF power. Positioning in the left atrium is sufficient when the full distal curve has crossed the septum and is observed under fluoroscopy in the left atrium. Echocardiographic guidance is also recommended.
- The Transseptal Dilator can then be advanced over the wire to enlarge the puncture.
- To disconnect the *SupraCross* RF Wire from the Connector Cable, depress the red button on the catheter connector and gently remove the proximal end of the RF Wire from the connector cable.
- To disconnect the Connector Cable from the Baylis RF Generator, grasp the connector firmly and gently pull it straight out of the socket.
- Retract the *SupraCross* RF Wire slowly through the Transseptal Sheath/Dilator set.

Connections



XI. CLEANING AND STERILIZATION INSTRUCTIONS

The *SupraCross* RF Wire and Baylis Connector Cable is intended for single use only. Do not clean or re-sterilize the *SupraCross* RF Wire and/or Baylis Connector Cable.

XII. TROUBLESHOOTING

The following table is provided to assist the user in diagnosing potential problems.

PROBLEM	COMMENTS	TROUBLESHOOTING
Baylis Connector Cable does not fit into the Isolated Patient Connector on the front panel of the generator	The connectors are designed to connect in a specific way for safety reasons. If the connector "keys" are out of line, the connectors won't fit together.	Check that the connector keys are lined up in the proper orientation.
Generator Error Messages	In order to successfully perforate tissue using radiofrequency energy, all devices must be properly connected and in good working order.	Ensure that all connections are made: - <i>SupraCross</i> RF Wire to Connector Cable - Connector Cable to Baylis RF Generator - Baylis RF Generator to power outlet - Baylis RF Generator to grounding pad Visually inspect the <i>SupraCross</i> RF Wire and Connector Cable for damage. Immediately discard any damaged equipment. If problem persists discontinue use. For error messages encountered while attempting radiofrequency puncture, refer to

		the Instructions for Use document that accompanies the Baylis RF Generator.
Wire breaks or kinks	Breaks and kinks in the <i>SupraCross</i> RF Wire are a potential cause of patient injury.	Discard immediately.

XIII. CUSTOMER SERVICE AND PRODUCT RETURN INFORMATION

If you have any problems with or questions about Baylis Medical Equipment contact our technical support personnel at the following address and/or phone number.

Baylis Medical Company Inc.
5959 Trans-Canada Highway
Montreal, Quebec, Canada, H4T 1A1
Phone: (514) 488-9801 or (800) 850-9801
Fax: (514) 488-7209
www.baylismedical.com

NOTES:

1. In order to return products you must have a return authorization number before shipping the products back to Baylis Medical Company. Product Return Instructions will be provided to you at this time.
2. Ensure that any product being returned to Baylis Medical has been cleaned, decontaminated and/or sterilized as indicated in the Product Return Instruction before returning it for warranted service. Baylis Medical will not accept any piece of used equipment that has not been properly cleaned or decontaminated as per the Product Return Instructions.

XIV. LABELING AND SYMBOLS

	Keep Dry		Use By
	Manufacturer		Caution
	Lot Number		Keep Away from Sunlight
	Model Number		Non-Pyrogenic
	Do Not Resterilize		Follow Instructions for Use
	Do Not Reuse		Do Not Use if Packaging is Damaged
	Sterile using ethylene oxide		
	Caution: Federal (U.S.A.) law restricts this device to sale by or on the order of a physician.		
	Only for EU member states: Use of this symbol indicates that the product must be disposed of in a way that complies with local and national regulations. For questions regarding recycling of this device please contact your distributor.		

XV. LIMITED WARRANTY – DISPOSABLES AND ACCESSORIES

Baylis Medical Company Inc. (BMC) warrants its Disposable and Accessory products against defects in materials and workmanship. BMC warrants that sterile products will remain sterile for a period of time as shown on the label as long as the original package remains intact. Under this Limited Warranty, if any covered product is proved to be defective in materials or workmanship, BMC will replace or repair, in its absolute and sole discretion, any such product, less any charges to BMC for transportation and labor costs incidental to inspection, removal or restocking of product. The length of the warranty is: (i) for the Disposable products, the shelf life of the product, and (ii) for the Accessory products, 90 days from shipment date.

This limited warranty applies only to new original factory delivered products that have been used for their normal and intended uses. BMC's Limited Warranty shall not apply to BMC products which have been resterilized, repaired, altered, or modified in any way and shall not apply to BMC products which have been improperly stored or improperly cleaned, installed, operated or maintained contrary to BMC's instructions.

DISCLAIMER AND LIMITATION OF LIABILITY

THE LIMITED WARRANTY ABOVE IS THE SOLE WARRANTY PROVIDED BY SELLER. SELLER DISCLAIMS ALL OTHER WARRANTIES, WHETHER EXPRESS OR IMPLIED, INCLUDING ANY WARRANTY OF MERCHANTABILITY OR FITNESS FOR A PARTICULAR USE OR PURPOSE.

THE REMEDY SET FORTH HEREIN SHALL BE THE EXCLUSIVE REMEDY FOR ANY WARRANTY CLAIM, AND ADDITIONAL DAMAGES, INCLUDING CONSEQUENTIAL DAMAGES OR DAMAGES FOR BUSINESS INTERRUPTION OR LOSS OF PROFIT, REVENUE, MATERIALS, ANTICIPATED SAVINGS, DATA, CONTRACT, GOODWILL OR THE LIKE (WHETHER DIRECT OR INDIRECT IN NATURE) OR FOR ANY OTHER FORM OF INCIDENTAL, OR INDIRECT DAMAGES OF ANY KIND, SHALL NOT BE AVAILABLE. SELLER'S MAXIMUM CUMULATIVE LIABILITY RELATIVE TO ALL OTHER CLAIMS AND LIABILITIES, INCLUDING OBLIGATIONS UNDER ANY INDEMNITY, WHETHER OR NOT INSURED, WILL NOT EXCEED THE COST OF THE PRODUCT(S) GIVING RISE TO THE CLAIM OR LIABILITY. SELLER DISCLAIMS ALL LIABILITY RELATIVE TO GRATUITOUS INFORMATION OR ASSISTANCE PROVIDED BY, BUT NOT REQUIRED OF SELLER HEREUNDER. ANY ACTION AGAINST SELLER MUST BE BROUGHT WITHIN EIGHTEEN (18) MONTHS AFTER THE CAUSE OF ACTION ACCRUES. THESE DISCLAIMERS AND LIMITATIONS OF LIABILITY WILL APPLY REGARDLESS OF ANY OTHER CONTRARY PROVISION HEREOF AND REGARDLESS OF THE FORM OF ACTION, WHETHER IN CONTRACT, TORT (INCLUDING NEGLIGENCE AND STRICT LIABILITY) OR OTHERWISE, AND FURTHER WILL EXTEND TO THE BENEFIT OF SELLER'S VENDORS, APPOINTED DISTRIBUTORS AND OTHER AUTHORIZED RESELLERS AS THIRD-PARTY BENEFICIARIES. EACH PROVISION HEREOF WHICH PROVIDES FOR A LIMITATION OF LIABILITY, DISCLAIMER OF WARRANTY OR CONDITION OR EXCLUSION OF DAMAGES IS SEVERABLE AND INDEPENDENT OF ANY OTHER PROVISION AND IS TO BE ENFORCED AS SUCH.

IN ANY CLAIM OR LAWSUIT FOR DAMAGES ARISING FROM ALLEGED BREACH OF WARRANTY, BREACH OF CONTRACT, NEGLIGENCE, PRODUCT LIABILITY OR ANY OTHER LEGAL OR EQUITABLE THEORY, THE BUYER SPECIFICALLY AGREES THAT BMC SHALL NOT BE LIABLE FOR DAMAGES OR FOR LOSS OF PROFITS, WHETHER FROM BUYER OR BUYER'S CUSTOMERS. BMC'S LIABILITY SHALL BE LIMITED TO THE PURCHASE COST TO BUYER OF THE SPECIFIED GOODS SOLD BY BMC TO BUYER WHICH GIVE RISE TO THE CLAIM FOR LIABILITY.

No agent, employee or representative of Baylis Medical has the authority to bind the Company to any other warranty, affirmation or representation concerning the product.

This warranty is valid only to the original purchaser of Baylis Medical products directly from a Baylis Medical authorized agent. The original purchaser cannot transfer the warranty.

Use of any BMC product shall be deemed acceptance of the terms and conditions herein.

The warranty periods for Baylis Medical products are as follows:

Disposable Products	The shelf life of the product
Accessory Products	90 days from the shipment date

Français

Lire attentivement toutes les directives avant l'utilisation. Respecter toutes les contre-indications, avertissements et précautions indiqués dans ces directives. Leur non-respect risque de causer des complications pour le patient.

Attention : La loi fédérale (États-Unis) limite la vente de cet appareil à un médecin ou sur prescription médicale.

I. DESCRIPTION DU DISPOSITIF

Le *SupraCross RF Wire* comprend un Baylis Connector Cable. Le *SupraCross RF Wire* doit être utilisé avec un Baylis Radiofrequency Puncture Generator (Baylis RF Generator) et un Baylis Connector Cable (câble de connexion) approuvés.

Le *SupraCross RF Wire* fournit de l'énergie par radiofréquence (RF) en mode monopolaire entre son électrode distale et une électrode indifférente (inactive) externe jetable (électrode DIP) offerte sur le marché et conforme aux normes IEC 60601-2-2. Le câble de connexion raccorde le Baylis RF Generator au *SupraCross RF Wire*. Ce câble de connexion permet de transmettre l'énergie par RF émise par le Baylis RF Generator à un *SupraCross RF Wire*.

Des renseignements détaillés sur le Baylis RF Generator sont présentés dans un manuel distinct qui accompagne le générateur (intitulé « Mode d'emploi du Baylis Radiofrequency Puncture Generator »). Les Baylis RF Generators compatibles avec le *SupraCross RF Wire* comprennent le modèle RFP-100A.

Les dimensions du *SupraCross RF Wire* et du Baylis Connector Cable figurent sur l'étiquette du dispositif. L'isolant sur le corps du *SupraCross RF Wire* facilite une progression fluide du dispositif et fournit une isolation électrique. La partie distale pendante du *SupraCross RF Wire* présente une petite courbure et l'extrémité active est arrondie afin de ne pas causer de traumatisme au tissu cardiaque, à moins d'appliquer de l'énergie par RF. Une bande de marquage est placée au niveau de la courbure pour une visualisation sous fluoroscopie. Le corps principal du *SupraCross RF Wire* fournit un rail rigide pour permettre la progression des dispositifs auxiliaires dans l'oreillette gauche après la création d'une communication interauriculaire. La partie proximale pendante du *SupraCross RF Wire* présente une large courbure circulaire et l'extrémité proximale est en métal nu pour se raccorder au câble de connexion inclus. L'autre extrémité du câble de connexion inclus se branche au Baylis RF Generator.

II. INDICATIONS D'UTILISATION

Le *SupraCross RF Wire* est indiqué pour la création d'une communication interauriculaire dans le cœur.

III. CONTRE-INDICATIONS

L'utilisation du *SupraCross RF Wire* n'est pas recommandée chez les personnes qui présentent une affection n'exigeant pas la création d'une communication interauriculaire dans le cœur.

L'utilisation du Baylis Connector Cable fourni avec le *SupraCross RF Wire* n'est pas recommandée avec tout autre générateur RF ou tout autre dispositif.

IV. AVERTISSEMENTS

Seuls les médecins ayant une connaissance approfondie des procédures d'angiographie et des interventions percutanées doivent utiliser ce dispositif. Il est recommandé aux médecins de suivre une formation préclinique, d'étudier la documentation pertinente et de suivre toute autre formation appropriée avant d'essayer de nouvelles procédures d'intervention.

Le *SupraCross RF Wire* et le Baylis Connector Cable (câble de connexion) sont fournis STÉRILES suivant un procédé à l'oxyde d'éthylène. Ne pas utiliser si l'emballage est endommagé.

Le personnel de laboratoire et les patients peuvent subir une exposition aux rayonnements considérable pendant les procédures de ponction par radiofréquence en raison de l'usage continu de l'imagerie fluoroscopique. Cette exposition peut causer des radiolésions aiguës et augmenter le risque d'effets somatiques et génétiques. Par conséquent, des mesures appropriées doivent être prises pour réduire cette exposition au minimum.

Le *SupraCross RF Wire* et le câble de connexion sont conçus pour un usage chez un seul patient. N'essayez pas de stériliser et de réutiliser le dispositif. Une réutilisation peut causer des blessures au patient et/ou la transmission de maladies infectieuses entre patients. Le non-respect de ces directives pourrait entraîner des complications pour le patient.

Le *SupraCross RF Wire* doit être utilisé avec le câble de connexion fourni. Toute tentative d'utilisation avec d'autres câbles de connexion risque d'entraîner une électrocution du patient et/ou de l'utilisateur.

Le câble de connexion ne doit être utilisé qu'avec le Baylis Radiofrequency Puncture Generator (Baylis RF Generator) et le *SupraCross RF Wire* inclus. S'il est utilisé avec d'autres générateurs de RF et d'autres dispositifs, il peut en résulter l'électrocution du patient et/ou de l'utilisateur.

Le *SupraCross RF Wire* doit être utilisé avec une gaine transeptale et un dilateur transeptal compatibles de 0,035 po (0,89 mm).

L'extrémité active et la courbure distale du *SupraCross RF Wire* sont fragiles. Prendre soin de ne pas les endommager en manipulant le *SupraCross RF Wire*. Si l'extrémité ou la courbure distale sont endommagées, jetez immédiatement le *SupraCross RF Wire*.

Si l'extrémité active du *SupraCross RF Wire* se plie pendant l'utilisation, jetez immédiatement le *SupraCross RF Wire*. Ne pas essayer de redresser l'extrémité active.

Le *SupraCross RF Wire* n'est pas conçu pour être utilisé chez les nouveau-nés (de moins d'un mois). Ne pas essayer de traiter des nouveau-nés avec le *SupraCross RF Wire*.

V. PRÉCAUTIONS

Ne pas essayer d'utiliser le *SupraCross RF Wire* et le Baylis Connector Cable (câble de connexion) ou tout équipement auxiliaire avant d'avoir lu attentivement le Guide d'utilisation qui accompagne le dispositif.

Les interventions de ponction ayant recours aux radiofréquences doivent être exécutées uniquement par des médecins ayant reçu une formation approfondie sur cette technique dans un laboratoire de cathétérisme entièrement équipé.

L'emballage stérile doit être inspecté visuellement avant toute utilisation afin de détecter toute altération. S'assurer que l'emballage n'est pas endommagé. Ne pas utiliser l'équipement en cas d'altération de l'emballage.

Inspecter visuellement le *SupraCross RF Wire* et le câble de connexion avant toute utilisation afin de s'assurer que le matériau isolant n'est ni fissuré ni endommagé. Ne pas utiliser le fil ou le câble s'il est endommagé.

Ne pas utiliser le *SupraCross RF Wire* et/ou le câble de connexion au-delà de la date indiquée sur l'étiquette par la mention « utiliser avant le ».

Le *SupraCross RF Wire* et le câble de connexion ont été conçus pour être utilisés uniquement avec les dispositifs indiqués à la section VIII, Équipement requis.

Lire et suivre les directives du fabricant sur l'utilisation de l'électrode indifférente (inactive) jetable (électrode DIP). Toujours utiliser des électrodes DIP qui répondent aux exigences de la norme IEC 60601-2-2 ou les dépassent.

La pose de l'électrode inactive sur la cuisse pourrait produire une impédance plus élevée.

Pour prévenir le risque d'incendie, vérifier que des matériaux inflammables ne se trouvent pas dans la pièce pendant l'application d'une énergie par RF.

Prendre les précautions nécessaires pour limiter les effets possibles de l'interférence électromagnétique (IEM) du Baylis Radiofrequency Puncture Generator (Baylis RF Generator) sur la performance des autres appareils. Vérifier la compatibilité et la sécurité des autres appareils électriques et de surveillance physiologique qui seront utilisés sur le patient en plus du Baylis RF Generator.

Un filtrage adéquat doit être utilisé pour permettre le contrôle continu de l'électrocardiogramme de surface (ECG) pendant les applications d'énergie par RF.

Ne pas essayer d'insérer ni d'utiliser l'extrémité proximale du *SupraCross RF Wire* comme l'extrémité active.

Ne pas essayer d'insérer ni de retirer le fil de ponction par RF *SupraCross* par une canule en métal ou une aiguille percutanée.

Ne pas plier le *SupraCross RF Wire* ou le câble de connexion. Une flexion excessive ou le torsement du fil, de la courbure distale ou de la courbure proximale pourrait compromettre l'intégrité du *SupraCross RF Wire* et causer une blessure au patient. Des précautions doivent être prises lors de la manipulation du RF Wire et du câble de connexion.

Il convient de manipuler le *SupraCross RF Wire* avec précaution pour éviter les traumatismes vasculaires. La progression du *SupraCross RF Wire* et du dilateur doit être exécutée sous guidage par imagerie. En cas de résistance, NE PAS utiliser une force excessive pour faire progresser ou pour retirer le *SupraCross RF Wire* ou le dilateur.

Ne pas essayer de transmettre une énergie par radiofréquence tant qu'on n'a pas confirmation du bon contact de l'extrémité active du *SupraCross RF Wire* avec le tissu cible.

Il est recommandé de ne pas dépasser cinq (5) applications d'énergie par RF par *SupraCross RF Wire*.

- Ne jamais débrancher le câble de connexion du Baylis RF Generator pendant que le générateur émet de l'énergie par RF.
- Ne jamais débrancher le câble de connexion du Baylis RF Generator en tirant sur le câble. Si le câble n'est pas convenablement débranché, des dommages pourraient être causés.
- Ne pas tordre le câble de connexion pendant l'insertion ou le retrait du connecteur isolé du patient sur le Baylis RF Generator. Une torsion du câble pourrait endommager les broches du connecteur.
- Le Baylis RF Generator est capable d'appliquer une puissance électrique importante. Une mauvaise manipulation du *SupraCross RF Wire* et/ou de l'électrode DIP lors de l'utilisation du dispositif peut causer des blessures au patient ou à l'utilisateur.
- Le patient ne doit pas se trouver en contact avec des surfaces métalliques au sol pendant la transmission de courant.
- Une faible puissance de sortie apparente ou le mauvais fonctionnement de l'équipement à des réglages normaux pourraient indiquer une application incorrecte de l'électrode DIP, la défaillance d'un fil électrique ou un mauvais contact de l'extrémité active avec le tissu. Vérifier la présence éventuelle de défauts évidents de l'équipement ou d'une mauvaise application. Essayer de mieux positionner l'extrémité active du *SupraCross RF Wire* contre le septum interauriculaire. Augmenter la puissance uniquement si la faible puissance de sortie persiste.
- Baylis Medical Company se fie au médecin pour déterminer, évaluer et communiquer à chaque patient tous les risques prévisibles du Baylis Medical Radiofrequency Puncture System.

VI. SPÉCIFICATIONS DU PRODUIT

Produit	<i>SupraCross RF Wire</i>	Produit	Câble de connexion RFP 100A
Longueur utile	180 cm	Longueur utile	10 pieds / 3 m
Diamètre extérieur	0,035 po / 0,89 mm	Connecteur au générateur	4 broches (1 broche)
Bande de marquage	Bande de 1 x 30 mm Extrémité proximale de l'électrode	Connecteur au dispositif	Bouton-poussoir

VII. EFFETS INDÉSIRABLES

Les effets indésirables pouvant survenir pendant la création d'une communication interauriculaire comprennent les suivants :

Tamponnade	Septicémie/Infection	Épisodes thrombo-emboliques
Perforation de vaisseaux	Fibrillation auriculaire	Infarctus du myocarde
Spasme vasculaire	Arrythmies persistantes	Flutter auriculaire
Hémorragie	Thrombose vasculaire	Perforation du myocarde
Hématome	Réaction allergique au produit de contraste	Tachycardie ventriculaire
Douleur et sensibilité	Fistule artérioveineuse	

VIII. ÉQUIPEMENT REQUIS

Les procédures transeptales par radiofréquence doivent être effectuées dans un environnement clinique spécialisé équipé d'une unité de fluoroscopie, d'une table radiographique, d'un système d'imagerie par échocardiographie, d'unregistreur physiologique, d'un équipement d'urgence et des instruments nécessaires pour avoir accès aux vaisseaux. Le matériel auxiliaire requis pour effectuer cette procédure comprend les éléments suivants :

- Baylis Radiofrequency Puncture Generator (RFP-100A)
- Transeptal Sheath/Dilatator kit compatible de 0,035 po (0,89 mm)
- Électrode indifférente (inactive) jetable (électrode DIP) devant répondre aux exigences requises par la norme IEC 60601-2-2 pour les électrodes électrochirurgicales ou les dépasser

IX. INSPECTION AVANT UTILISATION

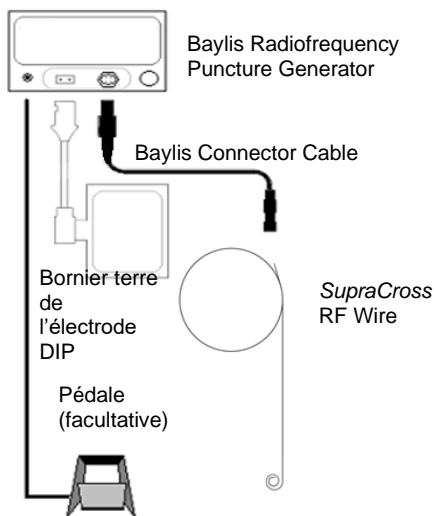
Avant d'effectuer la procédure, les différents composants, y compris le Baylis Radiofrequency Puncture Generator, le *SupraCross RF Wire* et le Baylis Connector Cable (câble de connexion) devraient être examinés attentivement afin de détecter d'éventuels dommages ou défauts, tout comme l'ensemble de l'équipement utilisé dans le cadre de la procédure. Ne pas utiliser d'équipement défectueux. Ne pas réutiliser le RF Wire et/ou le câble de connexion.

X. MODE D'EMPLOI

- Toutes les directives concernant l'équipement requis doivent être lues, comprises et suivies attentivement. Leur non-respect peut entraîner des complications.
- Le *SupraCross RF Wire* et le Baylis Connector Cable (câble de connexion) sont fournis stériles. Utiliser une technique aseptique pour ouvrir l'emballage et manipuler produit dans le champ stérile.
- Brancher l'extrémité du connecteur du générateur du câble de connexion au port du connecteur isolé du patient sur le Baylis Radiofrequency Puncture RF Generator (Baylis RF Generator) conformément au mode d'emploi du Baylis RF Generator. Aligner délicatement les broches du connecteur avec la prise et poussez jusqu'à ce que le connecteur soit bien logé dans la prise. Toute tentative visant à raccorder le câble autrement endommagera les broches du connecteur.
- Ne pas utiliser une force excessive en connectant le câble de connexion au Baylis RF Generator. L'utilisation d'une force excessive pourrait endommager les broches du connecteur.
- Rincer abondamment le dilateur transeptal (non fourni).
- Effectuer une ponction veineuse standard au niveau du site d'entrée souhaité à l'aide d'une aiguille d'accès (non fournie).
- Une gaine transeptale et un dilateur transeptal sont habituellement dans le site d'accès avant de les faire progresser au moyen d'un fil-guide pour les positionner dans la veine cave supérieure sous guidage fluoroscopique.
- Retirer le fil-guide.
- À l'aide du redresseur de pointe fourni, redresser la courbure distale du *SupraCross RF Wire*.
- Insérer l'extrémité du *SupraCross RF Wire* dans l'embout du dilateur et faire progresser le fil dans l'ensemble gaine/dilateur jusqu'à ce que l'extrémité du fil se retrouve dans l'extrémité du dilateur.
- Tenir fermement d'une main l'extrémité du connecteur du cathéter du câble de connexion. Avec le pouce, appuyer sur le bouton rouge sur le connecteur. Insérer lentement l'extrémité proximale du *SupraCross RF Wire* dans l'ouverture du connecteur du cathéter. Lorsque la partie exposée de l'extrémité proximale du dispositif n'est plus visible, relâcher le bouton rouge sur le connecteur. Tirer doucement sur le dispositif pour s'assurer qu'il est bien connecté.
- Positionner l'ensemble fil/gaine/dilateur dans l'oreillette droite contre la fosse ovale sous guidage fluoroscopique en utilisant une technique standard. Un guidage échocardiographique est également recommandé.
- Appliquer une pression sur le dilateur pour faire avancer le septum au niveau de la fosse ovale.
- Faire progresser le *SupraCross RF Wire* de sorte que l'extrémité active s'engage dans le septum au niveau de la fosse ovale, mais toujours à l'intérieur du dilateur.
- Lorsque le bon positionnement est obtenu, transmettre de l'énergie par RF à l'extrémité active au moyen du Baylis RF Generator. Cela entraîne une ponction du tissu cardiaque ciblé. Veuillez consulter le mode d'emploi du Baylis RF Generator pour connaître le bon fonctionnement du générateur.
- Appliquer une pression ferme sur le *SupraCross RF Wire* pendant l'application d'une énergie par RF pour faire avancer le *SupraCross RF Wire* à travers le tissu.
- REMARQUE : Pour les unités de Baylis RF Generator, utiliser les réglages de RF appropriés les plus bas pour obtenir la ponction souhaitée.**
 - Pour le modèle RFP-100A : On a démontré qu'un réglage RF initial entre une (1) seconde sur le mode « PULSE » et deux (2) secondes sur le mode « CONSTANT » était suffisant pour une ponction réussie.
- La transmission de l'énergie par radiofréquence peut être interrompue en appuyant sur le bouton RF ON/OFF du générateur si la minuterie n'est pas arrêtée.
- La pénétration dans l'oreillette gauche peut être confirmée en suivant le *SupraCross RF Wire* sous fluoroscopie. Un guidage échocardiographique est également recommandé.
- Si une ponction septale échoue après cinq (5) applications de l'énergie par RF, on recommande à l'utilisateur d'utiliser une autre méthode pour la procédure.
- Lorsque la ponction est menée à terme avec succès, il convient de faire progresser le *SupraCross RF Wire* mécaniquement sans énergie par RF. Le positionnement dans l'oreillette gauche est suffisant quand la courbure distale a entièrement traversé le septum et est visible sous fluoroscopie dans l'oreillette gauche. Un guidage échocardiographique est également recommandé.
- Il est alors possible de faire progresser le dilateur transeptal sur le fil pour élargir la ponction.
- Pour débrancher le *SupraCross RF Wire* du câble de connexion, appuyer sur le bouton rouge sur le connecteur du cathéter, puis retirer doucement l'extrémité proximale du RF Wire du câble de connexion.
- Pour débrancher le câble de connexion du Baylis RF Generator, tenir fermement le connecteur et le tirer doucement jusqu'à ce qu'il sorte de la prise.

- Retirer lentement le *SupraCross RF Wire* à travers l'ensemble gaine transeptale/dilatateur transeptal

Connexions



XI. CONSIGNES DE NETTOYAGE ET DE STÉRILISATION

Le *SupraCross RF Wire* et le *Baylis Connector Cable* ont été conçus pour un usage unique exclusivement. Ne pas nettoyer ou stériliser de nouveau le *SupraCross RF Wire* et/ou le *Baylis Connector Cable*.

XII. DÉPANNAGE

Le tableau suivant est fourni pour aider l'utilisateur à diagnostiquer des problèmes potentiels.

PROBLÈME	COMMENTAIRES	DÉPANNAGE
Le <i>Baylis Connector Cable</i> ne rentre pas dans le connecteur isolé du cathéter du patient situé sur le panneau avant du générateur	Les connecteurs sont conçus pour se connecter d'une façon particulière pour des raisons de sécurité. Si les endroits « clavetés » des connecteurs ne sont pas alignés, les connecteurs n'entreront pas l'un dans l'autre.	Vérifier que les endroits clavetés sont alignés dans le bon sens.
Messages d'erreurs du générateur	Pour perforer les tissus à l'aide d'une énergie par radiofréquence, tous les dispositifs doivent être connectés de façon adéquate et en bon état de fonctionnement.	S'assurer que tous les raccordements sont faits : - <i>SupraCross RF Wire</i> au câble de connexion - Câble de connexion au <i>Baylis RF Generator</i> - <i>Baylis RF Generator</i> à la prise de courant - <i>Baylis RF Generator</i> au bornier de mise à la terre Inspecter visuellement le <i>SupraCross RF Wire</i> et le câble de connexion pour détecter tout signe de dommage. Jeter immédiatement tout équipement endommagé. Si le problème persiste, interrompre toute utilisation. Pour les messages d'erreurs qui se produisent lors d'une tentative de ponction par radiofréquence, se reporter au manuel d'utilisateur qui accompagne le <i>Baylis RF Generator</i> .
Cassures ou nœuds dans le câble	Un <i>SupraCross RF Wire</i> cassé ou avec des nœuds peut blesser le patient.	Jeter immédiatement.

XIII. SERVICE À LA CLIENTÈLE ET INFORMATION CONCERNANT LE RETOUR D'UN PRODUIT

En cas de problème avec l'équipement de Baylis Medical ou pour toute question à ce sujet, communiquer avec le personnel de notre service de soutien technique, à l'adresse et au numéro de téléphone suivants.

Baylis Medical Company Inc.
5959, route Transcanadienne
Montréal (Québec) Canada H4T 1A1
Téléphone : (514) 488-9801 ou (800) 850-9801
Télécopieur : (514) 488-7209
www.baylismedical.com

REMARQUES :

- Pour retourner des produits, vous devez obtenir un numéro d'autorisation de retour avant de renvoyer les produits à Baylis Medical Company. Les directives sur le retour des produits vous seront fournies à ce moment-là.
- Assurez-vous de nettoyer, décontaminer ou stériliser tout produit à retourner à Baylis Medical conformément aux directives sur le retour des produits avant de le renvoyer pour un service sous garantie. Baylis Medical n'acceptera aucune pièce d'équipement usagé qui n'a pas été nettoyée ou décontaminée correctement conformément aux directives sur le retour des produits.

XIV. ÉTIQUETAGE ET SYMBOLES

	Garder au sec		Utiliser avant le
	Fabricant		Avertissement
	Numéro de lot		Tenir loin de la lumière du soleil
	Numéro de modèle		Non pyrogène
	Ne pas stériliser de nouveau		Consulter le mode d'emploi
	Ne pas réutiliser		Ne pas utiliser si l'emballage est endommagé
	Stérile; méthode de stérilisation à l'oxyde d'éthylène		
	Attention : En vertu de la réglementation fédérale des États-Unis, ce système ne peut être vendu que par un médecin ou que sur ordonnance		

	d'un médecin.
	Pour les états membres de l'UE seulement : Ce symbole indique que le produit doit être jeté conformément aux lois régionales et nationales. Pour toute question concernant le recyclage de ce dispositif, veuillez communiquer avec votre distributeur.

XV. GARANTIE LIMITÉE – DISPOSITIFS JETABLES ET ACCESSOIRES

Baylis Medical Company Inc. (BMC) garantit ses dispositifs jetables et accessoires contre tout défaut de matériel et de fabrication. BMC garantit que les produits stériles resteront pendant la période indiquée sur l'étiquette, tant que l'emballage d'origine demeure intact. En vertu de cette garantie limitée, si un produit couvert comporte un défaut de matériel ou de fabrication, BMC le remplacera ou le réparera, à sa seule et entière discrétion, moins les frais de transport et de main-d'œuvre engagés par BMC pour l'inspection, le retrait ou la reconstitution des stocks de ce produit. La durée de la garantie est la suivante : (i) la durée de vie du produit pour les dispositifs jetables, et (ii) 90 jours à partir de la date d'envoi pour les accessoires.

Cette garantie limitée ne s'applique qu'aux nouveaux produits d'origine provenant directement de l'usine et qui ont été utilisés de la façon normale prévue. La garantie limitée de BMC ne s'applique pas aux produits de BMC qui ont été restérilisés, réparés, altérés ou modifiés de quelque façon que ce soit, ni aux produits de BMC qui ont été mal conservés, nettoyés, installés, utilisés ou entretenus, d'après les modes d'emploi de BMC.

AVIS DE NON-RESPONSABILITÉ ET LIMITATION DE RESPONSABILITÉ

LA GARANTIE LIMITÉE SUSMENTIONNÉE EST LA SEULE GARANTIE OFFERTE PAR LE VENDEUR. LE VENDEUR DÉCLINE TOUTES LES AUTRES GARANTIES EXPLICITES OU IMPLICITES, Y COMPRIS LES GARANTIES DE QUALITÉ MARCHANDE ET D'ADAPTATION À UN USAGE PARTICULIER.

LE RECOURS ÉTABLI AUX PRÉSENTES EST LE RECOURS EXCLUSIF POUR TOUTE RÉCLAMATION AU TITRE DE LA GARANTIE, TOUT AUTRE DOMMAGE, Y COMPRIS LES DOMMAGES CONSÉQUENTS ET LES DOMMAGES DUS À UNE INTERRUPTION DES ACTIVITÉS OU À UNE PERTE DE PROFIT, DE REVENUS, DE MATÉRIEL, D'ÉCONOMIES PRÉVUES, DE DONNÉES, DE CONTRAT, DE CLIENTÈLE OU AUTRE CAUSE DE CE GENRE (DIRECTE OU INDIRECTE) OU TOUT AUTRE DOMMAGE ACCESSOIRE OU INDIRECT. NE SERA PAS COUVERT. LA RESPONSABILITÉ CUMULATIVE MAXIMALE DU VENDEUR RELATIVE À TOUTE AUTRE RÉCLAMATION ET RESPONSABILITÉ, Y COMPRIS LES OBLIGATIONS AUX TERMES DE TOUTE INDEMNITÉ, ASSURÉES OU NON, N'EXCÉDERA PAS LE COÛT DU OU DES PRODUIT(S) DONNANT LIEU À LA RÉCLAMATION OU À LA RESPONSABILITÉ. LE VENDEUR RENONCE À TOUTE RESPONSABILITÉ RELATIVE À UNE INFORMATION GRATUITE OU À UNE AIDE NON NÉCESSAIRE FOURNIE PAR LE VENDEUR EN VERTU DES PRÉSENTES. TOUTE ACTION CONTRE LE VENDEUR DOIT ÊTRE INTENTÉE DANS LES DIX-HUIT (18) MOIS SUIVANT LE DROIT DE FAIRE VALOIR.

LES PRÉSENTS AVIS DE NON-RESPONSABILITÉ ET LIMITATION DE RESPONSABILITÉ ENTRERONT EN VIGUEUR NONOBTANT TOUTE AUTRE DISPOSITION CONTRAIRE À CELLES-CI ET PEU IMPORTE LA FORME D'ACTION, QUE CE SOIT DANS LE CADRE D'UN CONTRAT, D'UN DÉLIT (Y COMPRIS LA NÉGLIGENCE ET LA RESPONSABILITÉ STRICTE) OU AUTRE, ET S'ÉTENDRONT AUX FOURNISSEURS DU VENDEUR, AUX DISTRIBUTEURS DÉSIGNÉS ET AUTRES REVENDEURS AUTORISÉS À TITRE DE TIERS BÉNÉFICIAIRES. CHAQUE DISPOSITION DES PRÉSENTES QUI PRÉVOIT UNE LIMITATION DE RESPONSABILITÉ, UNE CLAUSE D'EXCLUSION DE GARANTIE OU UNE CONDITION OU UNE EXCLUSION DE DOMMAGES EST SÉPARABLE ET INDÉPENDANTE DE TOUTE AUTRE DISPOSITION ET DOIT ÊTRE APPLIQUÉE EN TANT QUE TELLE.

DANS TOUTE RÉCLAMATION OU POURSUITE POUR DOMMAGES DÉCOULANT D'UNE VIOLATION DE GARANTIE OU DE CONTRAT PRÉSUMÉE, DE NÉGLIGENCE, DE RESPONSABILITÉ DU FAIT DES PRODUITS OU DE TOUTE AUTRE THÉORIE JURIDIQUE OU FONDÉE SUR L'ÉQUITÉ, L'ACHETEUR ACCÉPTE EXPRESSÉMENT QUE BMC NE SOIT PAS RESPONSABLE DES DOMMAGES OU DES PERTES DE BÉNÉFICES SUBIS PAR L'ACHETEUR OU LES CLIENTS DE L'ACHETEUR. LA RESPONSABILITÉ DE BMC SERA LIMITÉE AU PRIX D'ACHAT PAYÉ PAR L'ACHETEUR POUR LES BIENS PRÉCISÉS VENDUS À L'ACHETEUR PAR BMC QUI SONT À L'ORIGINE DE LA RÉCLAMATION DE RESPONSABILITÉ.

Aucun agent, employé ou représentant de Baylis Medical n'a le pouvoir de lier la Société à toute autre garantie, affirmation ou représentation concernant le produit.

La présente garantie n'est valide que pour l'acheteur d'origine des produits de Baylis Medical obtenus directement d'un agent autorisé de Baylis Medical. L'acheteur d'origine ne peut pas transférer la garantie.

L'utilisation de tout produit de BMC sera considérée comme une acceptation des conditions établies dans les présentes.

La garantie des produits de Baylis Medical sera en vigueur pour la période suivante :

Produits jetables	Durée de vie du produit
Accessoires	90 jours à partir de la date de livraison

Deutsch

Lesen Sie vor der Verwendung aufmerksam alle Anweisungen. Beachten Sie alle in vorliegender Anleitung angegebenen Gegenanzeigen, Warnungen und Vorsichtshinweise. Bei Nichtbeachtung können beim Patienten Komplikationen verursacht werden.

Achtung: Nach den US-Bundesgesetzen darf dieses Produkt nur an Ärzte bzw. auf Verschreibung eines Arztes verkauft werden.

I. BESCHREIBUNG DER VORRICHTUNG

Der HF-Draht *SupraCross* wird mit einem Anschlusskabel von Baylis geliefert. Der HF-Draht *SupraCross* muss mit einem zugelassenen Hochfrequenz-Punkturgenerator von Baylis Medical (*Baylis-HF-Generator*) und einem *Baylis-Anschlusskabel* (*Anschlusskabel*) verwendet werden.

Der HF-Draht *SupraCross* liefert Hochfrequenz-Strom (HF-Strom) im monopolaren Modus zwischen seiner distalen Elektrode und einer im Handel erhältlichen, indifferenten Einmal-Klebelektrode (*Disposable Indifferent Patch, DIP*) gemäß Norm IEC 60601-2-2. Das Anschlusskabel verbindet den *Baylis-HF-Generator* mit dem HF-Draht *SupraCross*. Dieses Anschlusskabel stellt HF-Strom des *Baylis-HF-Generators* für den HF-Draht *SupraCross* zur Verfügung.

Nähere Informationen zum *Baylis-HF-Generator* enthält eine separate Anleitung, die dem Generator beiliegt (Titel: "Bedienungsanleitung *Baylis-Hochfrequenz-Punkturgenerator*"). Mit dem HF-Draht *SupraCross* kompatible *Baylis-HF-Generatoren* umfassen den RFP-100A.

Die Abmessungen des HF-Drahts *SupraCross* und des *Baylis-Anschlusskabels* sind auf dem Etikett des Geräts angegeben. Die Beschichtung des HF-Drahts *SupraCross* ermöglicht ein sanftes Vordringen der Vorrichtung und sie sorgt für die elektrische Isolierung. Der hochflexible distale Bereich des HF-Drahts *SupraCross* ist leicht gekrümmt und die aktive Spitze ist abgerundet, damit sie für das Herzgewebe atraumatisch ist, solange keine HF-Energie angelegt wird. An der Krümmung ist eine Markierspule positioniert, die sich per Fluoroskopie visualisieren lässt. Im Hauptteil des HF-Drahts *SupraCross* ermöglicht eine starre Führung bei der Bildung eines Vorhofseptumdefekts den Vorschub von Zusatzvorrichtungen in den linken Herzvorhof. Der hochflexible proximale Bereich des HF-Drahts *SupraCross* ist hat eine große zirkuläre Schlaufe und das proximale Ende ist aus Blankmetall, um es an das mitgelieferte Anschlusskabel anzuschließen. Das andere Ende des mitgelieferten Anschlusskabels wird an den *Baylis-HF-Generator* angeschlossen.

II. GEBRAUCHSANWEISUNG

Der HF-Draht *SupraCross* ist indiziert für die Schaffung eines Vorhofseptumdefekts im Herzen.

III. KONTRAINDIKATIONEN

Der Einsatz des HF-Drahts *SupraCross* wird nicht empfohlen bei pathologischen Zuständen, bei denen die Schaffung eines Vorhofseptumdefekts nicht erforderlich ist.

Die Verwendung des mit dem HF-Draht *SupraCross* gelieferten *Baylis-Anschlusskabels* mit anderen HF-Generatoren oder sonstigen anderen Geräten wird nicht empfohlen.

IV. WARNHINWEISE

- Diese Vorrichtung dürfen nur Ärzte mit fundierten Kenntnissen im Bereich der Angiographie und der perkutanen Koronarinterventionsverfahren verwenden. Es wird empfohlen, dass jeder Arzt sich einer präklinischen Schulung unterzieht, die betreffende Literatur zur Kenntnis nimmt und weitere angemessene, vorbereitende Schritte unternimmt, ehe er neue Interventionsverfahren ausprobiert.
- Der HF-Draht *SupraCross* und das *Baylis-Anschlusskabel* (*Anschlusskabel*) werden in STERILEM Zustand (Ethylenoxid-Sterilisation) geliefert. Nicht benutzen, wenn die Verpackung beschädigt ist.
- Labpersonal und Patienten können im Zuge einer Hochfrequenz-Punktion wegen der fortlaufenden Verwendung fluoroskopischer Bildgebungsverfahren bedeutenden Röntgenstrahlungsbelastungen ausgesetzt sein. Diese Belastung kann akute Strahlenschäden hervorrufen und mit einem erhöhten Risiko somatischer und genetischer Veränderungen

einhergehen. Daher sind geeignete Maßnahmen zur Minimierung der Strahlungsbelastung zu treffen.

- Der HF-Draht *SupraCross* und das Anschlusskabel sind zum Gebrauch bei nur einem einzigen Patienten bestimmt. Versuchen Sie keine Sterilisation und verwenden Sie keines der Elemente erneut. Eine Wiederverwendung kann beim Patienten Verletzungen verursachen oder zur Übertragung von Infektionskrankheiten auf andere Patienten führen. Bei Nichtbeachtung können beim Patienten Komplikationen verursacht werden.
- Mit dem HF-Draht *SupraCross* muss das mitgelieferte Anschlusskabel verwendet werden. Versucht man die Verwendung anderer Anschlusskabel, kann dies tödliche Stromschläge für den Patienten oder Anwender zur Folge haben.
- Das Anschlusskabel darf nur mit dem Hochfrequenz-Punktionsgenerator von Baylis (Baylis-HF-Generator) und dem mitgelieferten HF-Draht *SupraCross* verwendet werden. Versucht man die Verwendung anderer HF-Generatoren und Vorrichtungen, kann dies tödliche Stromschläge für den Patienten oder Anwender zur Folge haben.
- Der HF-Draht *SupraCross* muss in Verbindung mit einem transeptalen Führungsschaft und Dilatoren für 0,035" Zoll Durchmesser verwendet werden.
- Die aktive Spitze und die distale Krümmung des HF-Drahtes *SupraCross* sind empfindlich. Bitte seien Sie vorsichtig, um beim Umgang mit dem HF-Draht *SupraCross* die Spitze oder die distale Krümmung nicht zu beschädigen. Wenn Spitze oder distale Krümmung beschädigt werden, ist der HF-Draht *SupraCross* umgehend zu entsorgen.
- Wenn die aktive Spitze des HF-Drahtes *SupraCross* während des Gebrauchs verbogen wird, entsorgen Sie den HF-Draht *SupraCross* umgehend. Versuchen Sie nicht, die aktive Spitze geradezubiegen.
- Der HF-Draht *SupraCross* ist nicht zur Anwendung bei neonatalen Patienten (jünger als einen Monat) bestimmt. Versuchen Sie nicht, neonatale Patienten mit dem HF-Draht *SupraCross* zu behandeln.

V. VORSICHTMASSNAHMEN

- Versuchen Sie nicht, den HF-Draht *SupraCross* und das Baylis-Anschlusskabel (Anschlusskabel) oder Zusatzvorrichtungen zu benutzen, ehe Sie die beiliegenden Bedienungsanleitungen aufmerksam und vollständig gelesen haben.
- Hochfrequenzpunktions-Verfahren dürfen nur von Ärzten angewendet werden, die umfassend im Umgang mit den Techniken hochfrequenzbetriebener Punktion in einem geschult sind, und sie sind ausschließlich in komplett ausgestatteten Katheterisierungslabors anzuwenden.
- Die sterile Verpackung muss vor Gebrauch visuell auf ihren einwandfreien Zustand untersucht werden. Vergewissern Sie sich, dass die Verpackung unbeschädigt ist. Verwenden Sie die Ausrüstung nicht, wenn die Verpackung nicht in einwandfreiem Zustand ist.
- Prüfen Sie vor ihrer Verwendung visuell den HF-Draht *SupraCross* und das Anschlusskabel, um sich zu vergewissern, dass das Isoliermaterial frei von Rissen oder sonstigen Beschädigungen ist. Verwenden Sie Draht oder Kabel nicht, wenn irgendwelche Schäden vorliegen.
- Verwenden Sie den HF-Draht *SupraCross* oder das Anschlusskabel nicht nach Ablauf des HALTBARKEITSDATUMS auf dem Etikett.
- Der HF-Draht *SupraCross* und das Anschlusskabel sind ausschließlich für die Verwendung in Verbindung mit denjenigen Vorrichtungen bestimmt, die im Abschnitt VIII benötigte Ausrüstung aufgeführt sind.
- Lesen und befolgen Sie die Anweisungen des Herstellers zur Benutzung der indifferenten Einmal-Klebelektrode (Disposable Indifferent Patch, DIP). Benutzen Sie stets solche DIP-Elektroden, die die Anforderungen gemäß IEC 60601-2-2 erfüllen oder übertreffen.
- Die Platzierung der Neutralelektrode auf dem Oberschenkel kann mit einer erhöhten Impedanz einhergehen.
- Zur Vorbeugung gegen das Entzündungsrisiko müssen Sie sich vergewissern, dass im Raum während der Anwendung von HF-Strom keine entzündlichen Materialien vorhanden sind.
- Treffen Sie die Vorkehrungen zur Begrenzung der elektromagnetischen Interferenz (EMI), die der Hochfrequenz-Punktionsgenerator von Baylis (Baylis-HF-Generator) hinsichtlich der Leistung anderer Vorrichtungen generieren kann. Prüfen Sie die Kompatibilität und Sicherheit der Kombination mit anderen physiologischen Überwachungsgeräten und elektrischen Apparaten, die beim Patienten neben dem Baylis-HF-Generator zur Anwendung kommen.
- Es muss eine adäquate Filterung erfolgen, um eine kontinuierliche Überwachung des Oberflächen-Elektrokardiogramms (EKG) während der Hochfrequenzstromanwendung zu ermöglichen.
- Versuchen Sie nicht, das proximale Ende des HF-Drahtes *SupraCross* als aktive Spitze einzuführen.
- Versuchen Sie nicht, den *SupraCross* RF-Draht durch eine Kanüle aus Metall oder eine perkutane Nadel einzuführen oder zurückzuziehen.
- Biegen Sie den HF-Draht *SupraCross* oder das Anschlusskabel nicht. Ein übermäßiges Biegen oder Knicken des Führungsschafts oder der distalen bzw. der proximalen Krümmung kann den HF-Draht *SupraCross* beeinträchtigen oder beschädigen, was ein Verletzungsrisiko für den Patienten bedeutet. Beim Umgang mit dem HF-Draht und dem Anschlusskabel ist vorsichtig vorzugehen.
- Der Umgang mit dem HF-Draht *SupraCross* muss umsichtig erfolgen, um Verletzungen der Blutgefäße zu vermeiden. Der Vorschub des HF-Drahtes *SupraCross* und des Dilators hat bildgesteuert zu erfolgen. Wenn Sie auf Widerstand stoßen, wenden Sie KEINE übermäßige Kraft für den Vorschub oder zum Zurückziehen des HF-Drahtes *SupraCross* oder des Dilators an.
- Versuchen Sie nicht, Hochfrequenzstrom anzulegen, ehe nicht zweifelsfrei bestätigt ist, dass die aktive Spitze des HF-Drahtes *SupraCross* gute mit dem Zielgewebe in Kontakt ist.
- Es wird empfohlen, pro HF-Draht *SupraCross* maximal fünf (5) HF-Strom-Anwendungen vorzunehmen.
- Trennen Sie das Anschlusskabel niemals vom Baylis-HF-Generator, während der Generator HF-Strom liefert.
- Trennen Sie das Anschlusskabel niemals vom Baylis-HF-Generator, indem Sie am Kabel ziehen. Bei einer unsachgemäßen Trennung des Kabels kann dieses beschädigt werden.
- Drehen Sie das Anschlusskabel nicht, während Sie es vom isolierten Patientenanschluss des Baylis-HF-Generators trennen oder an diesen anschließen. Durch Drehen des Kabels können die Stiftstecker beschädigt werden.
- Der Baylis-HF-Generator ist für die Bereitstellung einer bedeutenden Stromstärke ausgelegt. Eine unsachgemäße Bedienung des HF-Drahtes *SupraCross* oder der DIP-Elektrode kann zu Verletzungen beim Patienten oder Bediener führen, insbesondere beim Betrieb des Geräts.
- Während der Stromerzeugung darf der Patient nicht mit geerdeten Metalloberflächen in Kontakt kommen.
- Wenn bei normalen Einstellungen eine zu niedrige Stromausgabe oder eine unkorrekte Funktionsweise festgestellt wird, kann dies auf eine unsachgemäße Anbringung der DIP-Elektrode, eine fehlerhafte elektrische Leitung oder einen schlechten Gewebekontakt der aktiven Spitze hindeuten. Prüfen Sie das Gerät auf sichtbare Defekte oder falsche Verwendung. Versuchen Sie, die aktive Spitze des HF-Drahtes *SupraCross* besser am Vorhofseptum zu positionieren. Erhöhen Sie die Stromstärke nur dann, wenn die niedrige Ausgabeleistung andauert.
- Baylis Medical Company verlässt sich auf den Arzt, wenn es darum geht, jeden Patienten individuell zu den vorhersehbaren Risiken des Hochfrequenz-Punktionsystems von Baylis zu beraten und zu informieren.

VI. ANGABEN ZUM PRODUKT

Produkt	HF-Draht <i>SupraCross</i>	Produkt	Anschlusskabel RFP 100A
Nutzbare Länge	180cm	Nutzbare Länge	10 Fuß, 3m
Außendurchmesser	0,035" / 0,89mm	Generatoranschluss	4-polig (1-polig)
Markerspule	Spule 1 x 30mm Proximal der Elektrode	Geräteanschluss	Drucktaste

VII. UNERWÜNSCHTE EREIGNISSE

Folgende unerwünschte Ereignisse können bei der Bildung eines Vorhofseptumdefekts auftreten:

Tamponade	Sepsis/Infektion	Thromboembolische Ereignisse
Perforation von Blutgefäßen	Vorhofflimmern	Herzinfarkte
Blutgefäßkrämpfe	Anhaltende Herzrhythmusstörungen	Vorhofflattern
Blutungen	Gefäßthrombose	Myocardiumperforation
Hämatome	Allergische Reaktionen auf Kontrastmittel	Kammertachykardie
Schmerz und Druckempfinden	Arteriovenöse Fistel	

VIII. ERFORDERLICHE AUSTRÜSTUNG

Eine transeptale Hochfrequenzpunktionsvorrichtung muss in einer speziellen klinischen Umgebung durchgeführt werden, die ausgestattet ist mit einer Fluoroskopieeinheit, einem physiologischen Ereignisaufzeichner, einer Notfallausrüstung und Instrumenten für den Gefäßzugang. Zu den für dieses Verfahren erforderlichen Zusatzvorrichtungen gehören:

- Hochfrequenz-Punktionsgenerator von Baylis (RFP-100A)
- Set mit transeptalem Führungsschaft und Dilator für 0,035" Zoll Durchmesser
- Indifferente Einmal-Klebelektrode (Disposable Indifferent Patch, DIP); muss die Anforderungen gemäß IEC 60601-2-2 für elektrochirurgische Elektroden erfüllen oder übertreffen.

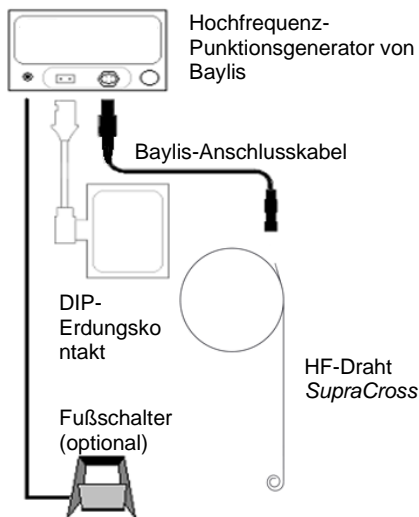
IX. INSPEKTION VOR INBETRIEBNAHME

Vor der Durchführung des Verfahrens sind die einzelnen Komponenten einschließlich des Hochfrequenz-Punktionsgenerators von Baylis, des HF-Drahtes *SupraCross* und des Baylos-Anschlusskabels (das Anschlusskabel) sorgfältig auf Schäden oder Defekte zu untersuchen, was darüber hinaus auch für alle sonstigen für die Behandlung benutzten Geräte und Vorrichtungen gilt. Verwenden Sie keine defekte Ausrüstung. Sie dürfen den HF-Draht *SupraCross* oder das Anschlusskabel nicht wiederverwenden.

X. GEBRAUCHSANWEISUNGEN

- Alle Anweisungen für die benötigte Ausrüstung sind aufmerksam zu lesen, zu verstehen und zu befolgen. Bei Nichtbeachtung können Komplikationen verursacht werden.
- Der HF-Draht *SupraCross* und das Baylis-Anschlusskabel (Anschlusskabel) werden in STERILEM Zustand geliefert. Benutzen Sie beim Öffnen der Verpackung und Umgang mit dem Produkt im sterilen Bereich aseptische Techniken.
- Schließen Sie das Generatorende des Anschlusskabels an den isolierten Patientenausgang des Hochfrequenz-Punktionsgenerators von Baylis (Baylis-HF-Generator) an, so wie in der Bedienungsanleitung für den Baylis-HF-Generator angegeben. Richten Sie die Steckerstifte behutsam an der Steckdose aus und stecken Sie den Stecker ein, bis dieser fest in der Dose sitzt. Wird versucht, das Kabel auf andere Art einzustecken, werden die Steckerstifte beschädigt.
- Wenden Sie keine übermäßige Kraft auf, wenn Sie das Anschlusskabel an den Baylis-HF-Generator anschließen. Wenn Sie übermäßige Kraft aufwenden, werden dadurch die Steckerstifte beschädigt.
- Spülen Sie den transeptalen Dilator (nicht mitgeliefert) gründlich durch.
- Nehmen Sie an der gewünschten Zugangsstelle mit einer Kanüle (nicht mitgeliefert) eine normale Venenpunktion durch.
- Transeptaler Führungsschaft und Dilator werden normalerweise an der Zugangsstelle eingeführt und dann über einen Führungsdraht vorgeschoben, um sie mit Hilfe fluoroskopischer Führung in der oberen Hohlvene (Superior Vena Cava, SVC) zu positionieren.
- Entfernen Sie den Führungsdraht.
- Richten Sie mit dem mitgelieferten Spitzenausrichter die distale Krümmung des HF-Drahtes *SupraCross* aus.
- Führen Sie die Spitze des HF-Drahtes *SupraCross* in den Dilator-Hub ein und schieben Sie den Draht durch Führungsschaft und Dilator, bis die Drahtspitze genau in der Dilatorspitze sitzt.
- Greifen Sie das Kathederanschließende des Anschlusskabels fest mit einer Hand. Drücken Sie den roten Knopf oben auf dem Anschluss mit dem Daumen herunter. Führen Sie das proximale Ende des HF-Drahtes *SupraCross* langsam in die Öffnung des Kathederanschlusses. Sobald der freiliegende Bereich des proximalen Endes der Vorrichtung nicht mehr sichtbar ist, lösen Sie den roten Knopf des Anschlusses. Ziehen Sie sanft an der Vorrichtung und vergewissern Sie sich, dass Sie eine sichere Verbindung hergestellt haben.
- Positionieren Sie unter Anwendung von Standardtechniken das Ensemble aus Draht, Schaft und Dilator mit Hilfe fluoroskopischer Führung im rechten Atrium an der Fossa Ovalis. Auch echokardiografische Führung ist ratsam.
- Üben Sie Druck auf den Dilator aus und spannen Sie das Septum an der Fossa Ovalis.
- Schieben Sie den HF-Draht *SupraCross* hergestellt vor, dass die aktive Spitze an das Septum der Fossa Ovalis stößt, jedoch im Dilator verbleibt.
- Sobald die geeignete Positionierung erreicht ist, legen Sie mit dem Baylis-HF-Generator HF-Strom an die aktive Spitze an. Dadurch erfolgt eine Punktion des Ziel-Herzgewebes. Bitte beachten Sie die Gebrauchsanweisung des Baylis-HF-Generators für einen korrekten Betrieb des Generators.
- Üben Sie während des Anlegens von HF-Strom beständigen Druck auf den HF-Draht *SupraCross* aus, damit der HF-Draht *SupraCross* erfolgreich das Gewebe durchdringt.
- **ANM.: Benutzen Sie beim Einsatz von Baylis-HF-Generatoren die niedrigste geeignete HF-Einstellung, um die gewünschte Punktion zu erzielen.**
 - Für RFP-100A: Eine Ausgangs-HF-Einstellung zwischen einer (1) Sekunde im "PULSE"-Modus bis hin zu zwei (2) Sekunden im "CONSTANT"-Modus hat sich als ausreichend für eine erfolgreiche Punktion erwiesen.
- Die Bereitstellung von Hochfrequenzstrom kann durch Drücken des Knopfes RF ON/OFF am Generator beendet werden, wenn der Zeitgeber noch nicht abgelaufen ist.
- Der Eintritt ins linke Atrium kann bestätigt werden, indem man den HF-Draht *SupraCross* mit einer Fluoroskopieeinheit überwacht. Auch echokardiografische Führung ist ratsam.
- Wenn die Septumpunktion nach fünfmaligem (5) Anlegen von HF-Strom nicht erfolgreich war, wird geraten, dass der Benutzer für die Behandlung ein alternatives Verfahren verwendet.
- Nach erfolgreichem Abschluss der Punktion muss der HF-Draht *SupraCross* ohne angelegten HF-Strom mechanisch vorgeschoben werden. Die Positionierung im linken Atrium ist ausreichend, wenn die gesamte distale Krümmung das Septum durchquert hat und per Fluoroskopie im linken Atrium beobachtet wird. Auch echokardiografische Führung ist ratsam.
- Der transeptale Dilator kann dann über den Draht vorgeschoben werden, um die Punktion zu erweitern.
- Zum Abtrennen des HF-Drahtes *SupraCross* vom Anschlusskabel drücken Sie den roten Knopf auf dem Kathederanschluss und entfernen Sie sanft das proximale Ende des HF-Drahtes vom Anschlusskabel.
- Zum Abtrennen des Anschlusskabels vom Baylis-HF-Generator greifen Sie fest den Stecker und ziehen Sie ihn sanft und gerade aus der Steckdose.
- Ziehen Sie den HF-Draht *SupraCross* langsam durch das Set mit transeptalem Führungsschaft und Dilator zurück.

Anschlüsse



XI. ANWEISUNGEN FÜR REINIGUNG UND STERILISIERUNG

Der HF-Draht *SupraCross* und das Baylis-Anschlusskabel sind zum einmaligen Gebrauch bestimmt. Reinigen oder sterilisieren Sie den HF-Draht *SupraCross* oder das Baylis-Anschlusskabel nicht.

XII. FEHLERBESEITIGUNG

Die folgende Tabelle soll dem Benutzer bei der Diagnose eventueller Probleme helfen.

PROBLEM	KOMMENTAR	FEHLERBESEITIGUNG
Baylis-Anschlusskabel passt nicht in den isolierten Patientenanschluss des Bedienpanels des Generators	Die Anschlüsse sind aus Sicherheitsgründen so designt, dass sie nur auf eine bestimmte Art und Weise angeschlossen werden können. Wenn die "Schlüssel" des Anschlusses nicht genau aufeinander ausgerichtet sind, passt der Stecker nicht.	Prüfen Sie, dass die Steckerführungen korrekt aufeinander ausgerichtet sind.
Fehlermeldungen Generator	Zum erfolgreichen Perforieren von Gewebe mit Hochfrequenzstrom müssen alle Geräte korrekt angeschlossen und in gutem Betriebszustand sein.	Stellen Sie sicher, dass alle Anschlüsse vorgenommen wurden: - HF-Draht <i>SupraCross</i> an das Anschlusskabel - Anschlusskabel an den Baylis-HF-Generator - Baylis-HF-Generator an den Stromausgang - Baylis-HF-Generator an die Steckdose Prüfen Sie den HF-Draht <i>SupraCross</i> visuell auf Beschädigungen. Sondern Sie beschädigte Ausrüstung umgehend aus. Wenn das Problem fortbesteht, stellen Sie die Benutzung ein. Zu Fehlermeldungen, die während des Versuchs einer Hochfrequenzpunktion auftreten, schlagen Sie bitte in der Bedienungsanleitung nach, die dem Baylis-HF-Generator beiliegt.
Gebrochene oder geknickte Drähte	Brüche und Knickes des HF-Drahts <i>SupraCross</i> sind eine potentielle Ursache für Verletzungen des Patienten.	Sofort aussondern.

XIII. INFORMATIONEN ZU KUNDENDIENST UND PRODUKTRÜCKGABE

Wenn Sie Probleme mit oder Fragen zu Baylis Medical Equipment haben, kontaktieren Sie bitte unseren technischen Kundendienst unter folgender Adresse oder Telefonnummer:

Baylis Medical Company Inc.
5959 Trans-Canada Highway
Montreal, Quebec, Kanada, H4T 1A1
Telefon: (514) 488-9801 oder (800) 850-9801
Fax: (514) 488-7209
www.baylismedical.com

HINWEISE:

- Zur Rückgabe von Produkten brauchen Sie eine Rückgabeautorisierungsnummer, ehe Sie die Produkte an Baylis Medical Company zurücksenden. Mit der Autorisierungsnummer erhalten Sie die entsprechenden Anweisungen zur Abwicklung der Rückgabe.
- Vergewissern Sie sich, dass das an Baylis Medical zurückgegebene Produkt gemäß Rückgabeanweisung gesäubert, dekontaminiert oder sterilisiert wurde, ehe Sie das Produkt für Garantieleistungen zurücksenden. Baylis Medical nimmt keine Komponenten benutzer Ausrüstung an, die nicht gemäß Rückgabeanweisung korrekt gereinigt oder dekontaminiert wurden.

XIV. ETIKETTIERUNG UND SYMBOLE

	Trocken halten		Verwendung durch
	Hersteller		Achtung
	Chargennummer		Vor Sonnenlicht schützen
	Modellnummer		Nicht-pyrogen
	Nicht erneut sterilisieren		Gebrauchsanweisung befolgen
	Nicht erneut verwenden		Nicht benutzen, wenn die Verpackung beschädigt ist

STERILE	EO	Sterilisiert mit Ethylenoxid
Rx ONLY		Achtung: Nach den US-Bundesgesetzen darf dieses Produkt nur an Ärzte bzw. auf Verschreibung eines Arztes verkauft werden.
		Nur für EU-Mitgliedsstaaten: Die Verwendung dieses Symbols weist darauf hin, dass das Produkt auf eine den lokalen und nationalen Bestimmungen gerechte Weise entsorgt werden muss. Mit Fragen zum Recycling dieses Geräts wenden Sie sich bitte an Ihren Händler.

Nederlands

Lees de instructies aandachtig voorafgaand aan gebruik. Let op alle contra-indicaties, waarschuwingen en voorzorgsmaatregelen in deze instructies. Als u dit nalaat kan dit leiden tot complicaties bij de patiënten.

Waarschuwing: Federale (V.S.) wetgeving limiteert verkoop van dit apparaat aan or in opdracht van een arts.

I. APPARAATOMSCHRIJVING

De *SupraCross* RF Wire wordt verpakt met een Baylis Connector Cable. De *SupraCross* RF Wire moet worden gebruikt met een gekeurde Baylis Radiofrequency Puncture Generator (Baylis RF-generator) en Baylis Connector Cable (verbindingskabel).

De *SupraCross* RF Wire levert radiofrequentie (RF)-stroom in een monopolaire modus tussen de distale elektrode en een commercieel beschikbare externe Disposable Indifferent (Dispersive) Patch (DIP)-elektrode die voldoet aan de IEC 60601-2-2 normen. De verbindingskabel verbindt de Baylis RF-generator met de *SupraCross* RF Wire. Deze verbindingskabel zorgt ervoor dat RF-stroom van de Baylis RF-generator aan een *SupraCross* RF Wire geleverd kan worden.

Gedetailleerde informatie over de Baylis RF-generator is te vinden in een aparte handleiding die bij de generator wordt geleverd (getiteld: "Baylis Radiofrequency Puncture Generator gebruiksinstructies"). Baylis RF-generators die verenigbaar zijn met de *SupraCross* RF Wire omvatten de RFP-100A.

De afmetingen van de *SupraCross* RF Wire en de Baylis Connector Cable zijn te vinden op het apparaatlabel. De isolatie op het lichaam van de *SupraCross* RF Wire zorgt voor soepele voortgang van het apparaat en levert elektrische isolatie. Het slappe distale gedeelte van de *SupraCross* RF Wire heeft een kleine bocht en het actieve uiteinde is afgerond om niet traumatisch te zijn voor hartweefsel, tenzij de RF-stroom wordt toegepast. Er is een markeerspoel op de bocht geplaatst voor visualisatie met fluoroscopie. Het hoofdgedeelte van de *SupraCross* RF Wire biedt een stijve rail om ondersteunende apparaten in het linker atrium in te voeren na de creatie van een atriumseptumdefect. Het slappe proximale gedeelte van de *SupraCross* RF Wire heeft een grote ronde kromming en het proximale uiteinde is blank metaal om te verbinden met de bijgevoegde verbindingskabel. Het andere einde van de bijgesloten verbindingskabel verbindt met de Baylis RF-generator.

De *SupraCross* RF Wire is aangeduid voor de creatie van een atriumseptumdefect in het hart.

II. INDICATIES VOOR GEBRUIK

De *SupraCross* RF Wire is aangeduid voor de creatie van een atriumseptumdefect in het hart.

III. CONTRA-INDICATIES

De *SupraCross* RF Wire wordt niet aangeraden voor gebruik bij condities waarbij de creatie van een atriumseptumdefect niet nodig is.

De Baylis verbindingskabel, verpakt met de *SupraCross* RF Wire, is niet aangeraden voor gebruik met een andere RF-generator of enig ander apparaat.

IV. WAARSCHUWINGEN

- Alleen artsen met een grondige kennis van angiografie en percutane interventieprocedures mogen dit apparaat gebruiken. Het wordt aangeraden dat artsen een preklinische training volgen, de relevante literatuur doornemen, evenals andere geschikte opleidingen alvorens nieuw interventieprocedures te proberen.
- De *SupraCross* RF Wire en Baylis Connector Cable (verbindingskabel) worden STERIEL geleverd door middel van een etheenoxydeproces. Niet gebruiken als de verpakking is beschadigd.
- Laboratoriepersoneel en patiënten kunnen significante blootstelling aan röntgenstralen onderervinden tijdens punctieprocedures met radiofrequentie door het continue gebruik van fluoroscopiebeeldvorming. Deze blootstelling kan leiden tot acute stralingschade en een verhoogd risico op somatische en genetische effecten. Daarom moeten er adequate maatregelen genomen worden om deze blootstelling te minimaliseren.
- De *SupraCross* RF Wire en verbindingskabel zijn bedoeld voor gebruik op één patiënt. Probeer de apparaten niet opnieuw te steriliseren en gebruiken. Hergebruik kan letsel bij de patiënt opleveren en/of leiden tot besmetting met besmettelijke ziekte(s) tussen patiënten. Als u dit nalaat kan dit leiden tot complicaties bij de patiënten.
- De *SupraCross* RF Wire moet worden gebruikt met de meegeleverde Connector Cable. Pogingen tot gebruik met andere verbindingskabels kan leiden tot elektrocutie van de patiënt en/of operator.
- De Connector Cable mag alleen gebruikt worden met de Baylis Radiofrequency Puncture Generator (Baylis RF-generator) en de bijgevoegde *SupraCross* RF Wire. Pogingen tot gebruik met andere RF-generators en apparaten kan leiden tot elektrocutie van de patiënt en/of operator.
- De *SupraCross* RF Wire moet gebruikt worden met de 0,035" Compatible Transseptal Sheath en Dilator-apparaten.
- Het actieve uiteinde en de distale kromming van de *SupraCross* RF Wire zijn fragiel. Wees voorzichtig het uiteinde of de distale kromming niet te beschadigen terwijl u de *SupraCross* RF Wire gebruikt. Als het uiteinde of de distale kromming beschadigd raken, gooi de *SupraCross* RF Wire dan onmiddellijk weg.
- Als het actieve uiteinde van de *SupraCross* RF Wire op enig moment verbogen raakt, gooi de *SupraCross* RF Wire dan onmiddellijk weg. Probeer het actieve uiteinde niet recht te buigen.
- De *SupraCross* RF Wire is niet bedoeld voor gebruik met neonatale patiënten (minder dan een maand oud). Probeer neonatale patiënten niet te behandelen met de *SupraCross* RF Wire.

V. VOORZORGSMAATREGELEN

- Probeer de *SupraCross* RF Wire en Baylis Connector Cable (verbindingskabel) of ondersteunende apparatuur niet te gebruiken voordat u de bijgevoegde gebruiksinstructies grondig heeft doorgelezen.
- Radiofrequentie punctieprocedures mogen alleen worden uitgevoerd door artsen die grondig opgeleid zijn in de technieken van radiofrequentie punctieprocedures in volledig uitgeruste katherisatielaboratoria.
- De steriele verpakking moet visueel geïnspecteerd worden voor gebruik om beschadigingen te kunnen detecteren. Kijk na of de verpakking niet beschadigd is. Gebruik de apparatuur niet als de verpakking is aangetast.
- Kijk de *SupraCross* RF Wire en verbindingskabel visueel na voor gebruik om na te kijken dat er geen scheuren of schade is ana het isolatiemateriaal. Gebruik de draad of kabel niet als er enige schade is.
- Gebruik de *SupraCross* RF Wire en/of verbindingskabel niet na de USE BY (gebruiken vóór)-datum op het etiket.
- De *SupraCross* RF Wire en verbindingskabel zijn alleen bedoeld voor gebruik met apparaten opgenomen in Sectie VIII, Benodigde Apparatuur.
- Lees en volg de instructies voor gebruik van de fabrikant voor gebruik van de Disposable Indifferent (Dispersive) Patch (DIP)-elektrode. Gebruik altijd DIP-elektrodes die voldoen of beter zijn dan de eisen van IEC 60601-2-2.
- Plaatsing van de elektrode op het dijbeen kan zorgen voor hogere impedantie.

- Om ontvlammingsgevaar te voorkomen, moet u ervoor zorgen dat er geen brandbare materialen aanwezig zijn in de kamer tijdens toepassing van de RF-stroom.
- Neem voorzorgsmaatregelen om de effecten van elektromagnetische interferentie (EMI) die wordt geproduceerd door de Baylis Radiofrequency Puncture Generator (Baylis RF-generator) mogelijk heeft op de prestaties van andere apparatuur te minimaliseren. Kijk de verenigbaarheid en veiligheid van combinaties na voor andere fysiologische controle- en elektrische apparatuur die wordt gebruikt op de patiënt, met de Baylis RF-generator.
- Er moet geschikte filtratie worden gebruikt om continue controle van het oppervlakte-elektrocardiogram (ECG) te controleren tijdens de toepassing van radiofrequentiestroom.
- Probeer het proximale uiteinde van de *SupraCross* RF Wire niet in te brengen en te gebruiken als het actieve uiteinde.
- Probeer de *SupraCross* RF-draad niet in een metalen canule of een percutane naald te steken of deze eruit te trekken.
- Buig de *SupraCross* RF Wire of de verbindingkabel niet. Overmatig buigen of knikken van de draadschacht, distale kromming of proximale kromming kan de integriteit van de *SupraCross* RF Wire beschadigen en kan letsel veroorzaken bij de patiënt. Voorzichtigheid is geboden bij het gebruik van de RF Wire en verbindingkabel.
- Er moet voorzichtig omgegaan worden met de *SupraCross* RF Wire om schade aan de bloedvaten te voorkomen. Progressie van de *SupraCross* RF Wire en Dilator moeten gedaan worden onder begeleiding van beelden. Als er weerstand wordt ondervonden, gebruik dan GEEN buitensporige kracht om de *SupraCross* RF Wire of Dilator verder in te brengen of te verwijderen.
- Probeer geen radiofrequentie-energie toe te passen totdat het actieve uiteinde van de *SupraCross* RF Wire duidelijk in goed contact is met het doelweefsel.
- Het wordt aangeraden om niet meer dan vijf (5) RF-stroomapplicaties per *SupraCross* RF Wire toe te passen.
- Koppel nooit de verbindingkabel los van de Baylis RF-generator terwijl de generator RF-stroom levert.
- Koppel nooit de verbindingkabel los van de Baylis RF-generator door aan de kabel te trekken. Als u de kabel niet correct loskoppelt kan dit leiden tot schade aan de kabel.
- Draai de verbindingkabel niet terwijl u deze inbrengt of verwijdert van Isolated Patient Connector op de Baylis RF-generator. Het draaien van de kabel kan leiden tot schade aan de pinverbindingen.
- De Baylis RF-generator is in staat om significante elektrische stroom te leveren. Onjuist gebruik van de *SupraCross* RF Wire en/of DIP-elektrode kan leiden tot letsel bij de operator of patiënt, in het bijzonder tijdens gebruik van het apparaat.
- Tijdens stroomtoepassing mag de patiënt niet in contact komen met geaarde metalen oppervlakken.
- Lage stroomoutput of het niet juist functioneren van de apparatuur bij normale instellingen kan wijzen op een foutieve applicatie van de DIP-elektrode, een falende elektrische leiding of slecht weefselcontact met het actieve uiteinde. Bekijk of er duidelijke apparaatdefecten zijn of dat het foutief wordt toegepast. Probeer het actieve uiteinde van de *SupraCross* RF Wire beter te positioneren tegen het atriale septum. Verhoog de stroom alleen als de lage stroomoutput blijft plaatsvinden.
- Baylis Medical Company vertrouwt op de arts om alle voorspelbare risico's van het Baylis Medical Radiofrequency Puncture System te bepalen, evalueren en communiceren met elke individuele patiënt.

VI. PRODUCTSPECIFICATIES

Product	<i>SupraCross</i> RF Wire	Product	RFP 100A Connector Cable
Bruikbare lengte	180 cm	Bruikbare lengte	10 voet/3m
Buitendiameter	0.035" / 0.89mm	Generatorconnect or	4-pin (1-pin)
Markeerspoel	1 x 30mm spoel Promximale elektrode	Apparaatconnector	Drukknop

VII. ONGUNSTIGE GEBEURTENISSEN

Ongunstige gebeurtenissen die kunnen optreden bij het creëren van een atriumseptumdefect omvatten:

Tamponade	Sepsis/infectie	Trombo-embolische episodes
Bloedvatperforatie	Atriumfibrillatie	Myocardisch infarct
Bloedvat spasme	Aanhoudende aritmie	Atriale flutter
Bloedingen	Vasculaire trombose	Perforatie van het myocardium
Hematoma	Allergische reactie op het contrastmedium	Ventriculaire tachycardie
Pijn en gevoeligheid	Arterioveneuze fistel	

VIII. BENODIGDE APPARATUUR

Transseptale radiofrequentieprocedures moeten uitgevoerd worden in een gespecialiseerde klinische omgeving met een fluoroscopie-eenheid, radiografische tafel, echocardiografiebeeldvorming, fysiologische recorder, noodapparatuur en instrumenten voor het verkrijgen van vasculaire toegang. Ondersteunende materialen die nodig zijn voor het uitvoeren van de procedure omvatten:

- Baylis Radiofrequency Puncture Generator (RFP-100A)
- 0.035" Compatible Transseptal Sheath/Dilator-kit
- Disposable Indifferent (dispersive) Patch (DIP)-elektrode moet voldoen aan of beter zijn dan de IEC 60601-2-2 eisen voor elektrochirurgische elektrodes

IX. INSPECTIE VOOR GEBRUIK

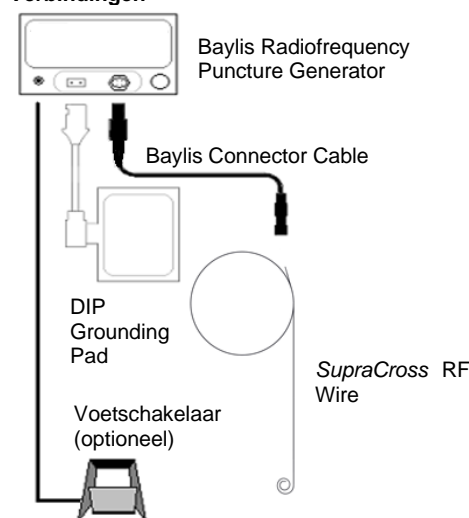
Alvorens de procedure uit te voeren moeten de individuele onderdelen, inclusief de Baylis Radiofrequency Puncture Generator, *SupraCross* RF Wire en de Baylis Connector Cable (verbindingkabel) nauwkeurig worden nagekeken op schade of defecten, net als alle andere apparatuur die wordt gebruikt in de procedure. Gebruik geen defectieve apparatuur. Hergebruik de RF Wire en/of de verbindingkabel niet.

X. GEBRUIKSAANWIJZINGEN

- Alle instructies voor de benodigde apparatuur moeten nauwkeurig worden gelezen, begrepen en gevolgd. Als u dit nalaat kan dit leiden tot complicaties.
- De *SupraCross* RF Wire en Baylis Connector Cable (verbindingkabel) worden steriel geleverd. Gebruik aseptische techniek bij het openen van de verpakking en gebruik van het product in het steriele veld.
- Verbind het uiteinde van de generatorconnector van de verbindingkabel met de geïsoleerde patiëntconnectorpoort op de Baylis Radiofrequency Puncture RF Generator (Baylis RF-generator) volgens de Baylis RF-generator instructies voor gebruik. Lijn de connectorpinnen voorzichtig uit met het contact en druk totdat de connector stevig in het contact past. Enige poging om de kabel anderszins te verbinden zal de pinnen op de connector beschadigen.
- Gebruik geen overmatige kracht tijdens het verbinden van de verbindingkabel met de Baylis RF-generator. Gebruik van overmatige kracht kan leiden tot schade aan de connectorpinnen.
- Spoel de Transseptal Dilator (niet meegeleverd) grondig.
- Voer een standaard bloedvatpunctie uit op de gewenste toegangspunt met een toegangnaald (niet meegeleverd).
- Een Transseptal Sheath en Dilator worden normaliter ingebracht door de toegangspunt en dan voortgebracht over een geleidedraad om zo te worden gepositioneerd in de vena cava superior (SVC) onder fluoroscopiebegeleiding.
- Verwijder de geleidedraad.
- Buig de distale kromming van de *SupraCross* RF Wire recht met de meegeleverde uiteinde-gelijkrichter.
- Plaats het uiteinde van de *SupraCross* RF Wire in de dilatorhub en breng de draad door de sheath/dilator-set totdat het draadeinde net in het dilatoreinde komt.

- Pak het katheterconnector-uiteinde van de verbindingkabel stevig vast in één hand. Druk de rode knop op de bovenkant van de connector in met uw duim. Breng langzaam het proximale gedeelte van de *SupraCross* RF Wire in, in de opening van de katheterconnector. Zodra het blootliggende gedeelte van het proximale uiteinde van het apparaat niet langer zichtbaar is laat u de rode knop op de connector los. Trek voorzichtig aan het apparaat om er zeker van te zijn dat u een betrouwbare verbinding heeft.
- Positioneer de wire/sheath/dilator-combinatie in het rechteratrium tegen de fossa ovalis, onder fluoroscopiebegeleiding met de standaardtechniek. Echocardiografische begeleiding wordt ook aangeraden.
- Oefen druk uit op de dilator om het septum op te zetten bij de fossa ovalis.
- Voer de *SupraCross* RF Wire door zodat het actieve uiteinde engageert met het septum bij de fossa ovalis, maar nog binnen de dilator.
- Zodra de correcte positie is bereikt, levert u RF-stroom aan het actieve uiteinde via de Baylis RF-generator. Dit resulteert in een punctie in het bedoelde hartweefsel. Zie a.u.b. de Baylis RF-generator instructies voor gebruik voor het correcte gebruik van de generator.
- Oefen ferme druk uit op de *SupraCross* RF Wire tijdens de applicatie van RF-stroom om de *SupraCross* RF Wire succesvol door het weefsel te brengen.
- **OPMERKING: Voor Baylis RF Generator-eenheden, gebruik de laagste RF-instellingen om de gewenste punctie te bereiken.**
 - Voor RFP-100A: Een initiële RF-instelling tussen één (1) seconden op "PULSE"-modus tot twee (2) seconden op "CONSTANT"-modus is aangetoond voldoende te zijn voor een succesvolle punctie.
- De levering van radiofrequentiestroom kan worden beëindigd door op de RF ON/OFF-knop op de Generator. Dit resulteert in een punctie in het bedoelde hartweefsel.
- Invoer in het linkeratrium kan worden bevestigd door de *SupraCross* RF Wire te volgen onder fluoroscopie. Echocardiografische begeleiding wordt ook aangeraden.
- Als septale punctie niet succesvol is na vijf (5) RF-stroomapplicaties wordt de gebruiker geadviseerd een andere methode te gebruiken voor de procedure.
- Zodra de punctie succesvol is afgerond moet de *SupraCross* RF Wire mechanisch worden doorgebracht zonder enige RF-stroom. Positionering in het linkeratrium is voldoende wanneer de volledige distale kromming door het septum is gegaan en te zien is in het linkeratrium onder fluoroscopie. Echocardiografische begeleiding wordt ook aangeraden.
- De Transseptal Dilator kan dan worden voortgebracht over de draad om de punctie te vergroten.
- Om de *SupraCross* RF Wire te ontkoppelen van de verbindingkabel drukt u de rode knop op de katheterconnector in en verwijdert u voorzichtig het proximale uiteinde van de RF Wire van de verbindingkabel.
- Om de Connector Cable van de Baylis RF-generator te verwijderen pakt u de connector stevig vast en trekt u hem voorzichtig recht uit het contact.
- Trek de *SupraCross* RF Wire langzaam uit de Transseptal Sheath/Dilator-set.

Verbindingen



XI. INSTRUCTIES VOOR SCHOONMAKEN EN STERILISATIE

De *SupraCross* RF Wire en verbindingkabel zijn bedoeld voor eenmalig gebruik. Maak de *SupraCross* RF Wire en/of de verbindingkabel niet schoon en steriliseer ze niet opnieuw.

XII. PROBLEEMOPLOSSING

De volgende tabel wordt aangeboden om de gebruiker te helpen om potentiële problemen vast te stellen.

PROBLEEM	OPMERKINGEN	PROBLEEMOPLOSSING
Baylis Connector Cable past niet in de geïsoleerde patiëntconnector op het voorpaneel van de generator	De connectors zijn om veiligheidsredenen ontworpen om op een bepaalde manier te verbinden. Als de connector 'sleutels' niet uitgelijnd zijn passen de connectors niet.	Kijk na of de connector/sleutels correct uitgelijnd zijn.
Foutmeldingen generator	Om weefsel succesvol te perforeren met radiofrequentiestroom moeten alle apparaten correct zijn verbonden en juist werken.	Kijk na of alle verbindingen zijn gemaakt: - <i>SupraCross</i> RF Wire met Connector Cable - Connector Cable met Baylis RF Generator - Baylis RF Generator met stopcontact - Baylis RF Generator met aardblok Kijk de <i>SupraCross</i> RF Wire en Connector Cable na op schade. Gooi beschadigde apparatuur onmiddellijk weg. Als het probleem voortduurt, stop dan het gebruik. Zie de instructies voor gebruik bij de Baylis RF-generator voor foutmeldingen die worden weergegeven tijdens een radiofrequentiepunctie.
Draadbreuken of -knikken	Draadbreuken en -knikken in de <i>SupraCross</i> RF Wire kunnen de patiënt verwonden.	Onmiddellijk weggooien.

XIII. KLANTENSERVICE EN INFORMATIE OVER RETOUR PRODUCTEN

Als u problemen heeft met of vragen over apparatuur van Baylis Medical kunt u contact opnemen met onze personeel voor technische ondersteuning via het onderstaande adres en/of telefoonnummer.

Baylis Medical Company Inc.
5959 Trans-Canada Highway

OPMERKINGEN:

- Om producten retour te zenden moet u een autorisatienummer hebben voordat u de producten terugstuurt naar Baylis Medical Company. Instructies voor het retoursturen van producten zullen op dat moment aan u verstrekt worden.
- Zorg ervoor dat een product dat teruggestuurd wordt naar Baylis Medical is schoongemaakt, ontsmet en/of gesteriliseerd zoals aangegeven in de Retourinstructies voordat u het terugstuurt voor de garantieservice. Baylis Medical accepteert geen apparatuur die niet correct is schoongemaakt of ontsmet volgens de Retourinstructies.

XIV. ETIKETTERING EN SYMBOLEN

	Drooghouden		Gebruik voor
	Fabrikant		Waarschuwing
	Partijnummer		Weghouden bij zonlicht
	Modelnummer		Niet-pyrogeen
	Niet opnieuw steriliseren		Volg instructies voor gebruik
	Niet opnieuw gebruiken		Niet gebruiken als de verpakking is beschadigd
	Steriel via etheenoxyde		
	Waarschuwing: Federale (V.S.) wetgeving limiteert verkoop van dit apparaat aan of in opdracht van een arts.		
	Alleen voor EU-lidstaten: Gebruik van dit symbool geeft aan dat dit product moet worden weggegooid in overeenstemming met plaatselijke en nationale regelgeving. Voor vragen over recycling van dit apparaat kunt u contact opnemen met uw distributeur.		

Italiano

Leggere attentamente tutte le istruzioni prima dell'uso. Osservare tutte le controindicazioni, avvertenze e precauzioni specificate in queste istruzioni. La mancata osservanza delle stesse può causare complicazioni per il paziente.

Attenzione: La legge federale (USA) limita la vendita del presente dispositivo da parte o dietro prescrizione di un medico.

I. DESCRIZIONE DEL DISPOSITIVO

Il filo RF *SupraCross* è confezionato con un cavo di collegamento Baylis. Il filo RF *SupraCross* deve essere usato con un ablatore a radiofrequenza (Baylis RF Generator) e un cavo di collegamento Baylis.

Il filo RF *SupraCross* fornisce energia monopolare tra la punta dell'elettrodo distale e un elettrodo esterno indifferente (dispersivo) monouso, disponibile in commercio (DIP), che è conforme agli standard della norma IEC 60601-2-2. Il cavo collega l'ablatore a RF Baylis al filo RF *SupraCross*. Questo cavo di collegamento permette di passare l'energia in RF dall'ablatore a RF Baylis a un filo RF *SupraCross*.

Informazioni dettagliate sull'ablatore a RF Baylis si trovano in un manuale a parte che lo accompagna (dal nome "Istruzioni per l'uso dell'ablatore a radiofrequenza Baylis"). Tra gli ablatori a RF Baylis compatibili con il filo RF *SupraCross* c'è lo RFP-100A.

Le dimensioni del filo RF e del cavo di collegamento Baylis *SupraCross* si trovano sull'etichetta del dispositivo. L'isolamento del filo RF *SupraCross* agevola l'avanzamento del dispositivo e crea isolamento elettrico. La porzione distale flessibile del filo RF *SupraCross* ha una piccola curva e la punta attiva è arrotondata in modo che non provochi traumi al tessuto cardiaco a meno che venga applicata energia in RF. Una bobina marcatrice è posizionata sulla curva per la visualizzazione sotto fluoroscopia. Il corpo principale del filo RF del *SupraCross* fornisce una guida rigida per fare avanzare i dispositivi ausiliari nell'atrio sinistro in seguito alla creazione di un difetto del setto atriale. La porzione prossimale flessibile del filo RF del *SupraCross* ha una grande curva circolare e l'estremità prossimale è in metallo nudo per il collegamento al cavo incluso. L'altra estremità del cavo di collegamento incluso si collega all'ablatore a RF Baylis.

II. ISTRUZIONI PER L'USO

Il filo RF *SupraCross* è indicato per la creazione di un difetto del setto atriale nel cuore.

III. CONTROINDICAZIONI

Il filo RF *SupraCross* non è raccomandato per l'uso in malattie che non richiedano la creazione di un difetto del setto atriale.

Il cavo di collegamento Baylis, confezionato con il filo RF *SupraCross*, non è raccomandato per l'uso con qualsiasi altro ablatore RF o qualunque altro dispositivo.

IV. AVVERTENZE

- Devono usare questo dispositivo solo i medici con una comprensione approfondita delle angiografie e delle procedure percutanee. Si raccomanda che i medici seguano la preformazione clinica, rivedano la letteratura pertinente e sfruttino altre opportunità di formazione prima di tentare nuove procedure interventistiche.
- Il filo RF *SupraCross* e il cavo di collegamento Baylis sono forniti sterilizzati con ossido di etilene. Non usare se la confezione è danneggiata.
- Il personale del laboratorio e i pazienti possono essere esposti in modo abbondante ai raggi X durante le procedure di puntura in radiofrequenza a causa del continuo utilizzo dell'immaginografia con fluoroscopia. Questa esposizione può comportare gravi danni dovuti alle radiazioni, oltre a un maggiore rischio di disturbi somatici e conseguenze genetiche. Pertanto, devono essere prese misure adeguate per ridurre al minimo questa esposizione.
- Il filo RF e il cavo di collegamento *SupraCross* devono essere usati in un solo paziente. Non tentare di sterilizzare e riutilizzare nessuno dei due dispositivi. Il riutilizzo può causare danni al paziente e/o la trasmissione di malattie infettive da un paziente all'altro. La mancata osservanza di quanto sopra, può causare complicazioni per il paziente.
- Il filo RF *SupraCross* dev'essere utilizzato con il cavo di collegamento fornito. I tentativi di utilizzarlo con altri cavi di collegamento può provocare la folgorazione del paziente e/o dell'operatore.
- Il cavo di collegamento deve essere utilizzato solo con l'ablatore a radiofrequenza Baylis (Baylis RF Generator) e il filo di RF *SupraCross* incluso. I tentativi di utilizzarlo con altri ablatori e dispositivi a RF può provocare la folgorazione del paziente e/o dell'operatore.

- Il filo RF *SupraCross* deve essere utilizzato con dispositivi con guaina transettale e dilatatori compatibili da 0.035".
- La punta attiva e la curva distale del filo RF *SupraCross* sono fragili. Prestare attenzione a non danneggiare la punta o la curva distale mentre si maneggia il filo RF *SupraCross*. Se la punta o la curva distale vengono danneggiate, scartare immediatamente il filo RF *SupraCross*.
- Se la punta attiva del filo RF *SupraCross* si piega in qualunque momento durante l'utilizzo, gettare via immediatamente il filo RF *SupraCross*. Non tentare di raddrizzare la punta attiva.
- Il filo RF *SupraCross* non è destinato all'uso in pazienti neonatali (meno di un mese di età). Non tentare di trattare i pazienti neonatali con il filo a RF *SupraCross*.

V. PRECAUZIONI

- Non tentare di usare il filo RF *SupraCross* e il cavo di collegamento Baylis o i dispositivi accessori prima di leggere il manuale d'istruzioni allegato.
- Le procedure di puntura in radiofrequenza devono essere eseguite esclusivamente da medici accuratamente addestrati nelle tecniche di puntura in radiofrequenza in un laboratorio di caterizzazione completamente attrezzato.
- Il confezionamento sterile dev'essere ispezionato visivamente prima dell'uso per individuare eventuali compromissioni. Assicurarsi che la confezione non sia danneggiata. Non usare l'apparecchiatura se la confezione non è intatta.
- Ispezionare visivamente il filo a RF e il cavo di collegamento *SupraCross* prima dell'uso per assicurarsi che non vi siano incrinature o danni al materiale isolante. Non usare il filo o il cavo se ci sono danni.
- Non usare il filo RF e/o il cavo di collegamento *SupraCross* dopo la data di scadenza indicata sull'etichetta.
- Il filo RF e il cavo di collegamento *SupraCross* sono solo intesi per l'uso con i dispositivi indicati nella sezione VIII, Attrezzatura necessaria.
- Leggere e seguire le istruzioni del costruttore per l'uso dell'elettrodo patch indifferente (dispersivo) (DIP) monouso. Usare sempre elettrodi DIP che soddisfano i requisiti IEC 60601-2-2.
- Il posizionamento dell'elettrodo dispersivo sulla coscia potrebbe essere associato a un'impedenza maggiore.
- Per evitare il rischio di ignizione, assicurarsi che nella stanza non siano presenti materiali infiammabili durante l'applicazione dell'energia in radiofrequenza.
- Prendere le precauzioni per limitare gli effetti che l'interferenza elettromagnetica (EMI) prodotta dall'ablatore a radiofrequenza Baylis (Baylis RF Generator) possa avere su altre apparecchiature. Verificare la compatibilità e la sicurezza dell'uso in combinazione con altra apparecchiatura di monitoraggio fisiologico ed elettrica sul paziente.
- Durante le applicazioni di energia in radiofrequenza, dev'essere usato un filtraggio adeguato per permettere il monitoraggio continuo dell'elettrocardiogramma (ECG) di superficie.
- Non cercare di inserire e usare l'estremità prossimale del filo RF *SupraCross* come punta attiva.
- Non tentare di inserire o ritirare il Filo *SupraCross* RF attraverso un catetere metallico o un ago per accesso percutaneo.
- Non piegare il filo RF o il cavo di collegamento *SupraCross*. Il piegamento o l'attorcigliamento del perno, della curva distale o della curva prossimale possono danneggiare l'integrità del filo RF *SupraCross* e provocare lesioni al paziente. È necessario prestare attenzione quando si maneggia il filo RF e il cavo di collegamento.
- Il filo RF *SupraCross* dev'essere maneggiato con cura per evitare un trauma vasale. L'avanzamento del filo RF e del dilatatore *SupraCross* dev'essere fatto sotto la guida dell'immaginografia. Se s'incontra resistenza, NON USARE forza eccessiva per avanzare o ritirare il filo RF o il dilatatore *SupraCross*.
- Non cercare di fornire energia in radiofrequenza finché si ha conferma che la punta attiva del filo RF *SupraCross* ha un buon contatto con il tessuto di destinazione.
- Si raccomanda di non superare cinque (5) applicazioni di energia in RF a filo RF *SupraCross*.
- Non scollegare mai il cavo di collegamento dall'ablatore in RF Baylis mentre l'ablatore fornisce energia in RF.
- Non scollegare mai il cavo di collegamento dall'ablatore in RF Baylis tirando il cavo. Se il cavo non viene scollegato correttamente può essere danneggiato.
- Non attorcigliare il cavo di collegamento durante l'inserimento o la rimozione dal connettore isolato del paziente all'ablatore in RF Baylis. La torsione del cavo può provocare danni ai perni del connettore.
- L'ablatore in RF Baylis è in grado di fornire energia elettrica significativa. La manipolazione errata del filo RF e/o dell'elettrodo DIP *SupraCross* può provocare infortuni all'operatore, in particolare durante il funzionamento del dispositivo.
- Durante l'erogazione di energia, il paziente non deve venire in contatto con superfici di metallo di messa a terra.
- L'apparente bassa potenza in uscita o il mancato funzionamento ottimale dell'apparecchiatura secondo le impostazioni normali possono indicare che l'applicazione dell'elettrodo DIP non è corretta, un filo elettrico difettoso o un contatto insufficiente della punta attiva con il tessuto. Verificare la presenza di evidenti difetti o di applicazioni errate. Tentare di posizionare meglio la punta attiva del filo RF del *SupraCross* sul setto atriale. Aumentare l'energia solo se la bassa emissione di potenza continua.
- Baylis Medical Company si affida al medico per determinare, valutare e comunicare a ogni paziente tutti i rischi prevedibili del sistema di ablazione in radiofrequenza Baylis Medical.

VII. CARATTERISTICHE TECNICHE DEL PRODOTTO

Prodotto	Filo RF <i>SupraCross</i>	Prodotto	Cavo di collegamento RFP 100A
Lunghezza utile	180 cm	Lunghezza utile	10 piedi/3m
Diametro esterno	0.035" / 0.89mm	Connettore dell'ablatore	4-pin (1-pin)
Bobina marcatrice	1 bobina da 30mm Estremità prossimale dell'elettrodo	Connettore del dispositivo	Pulsante

VIII. EVENTI AVVERSI

Gli eventi avversi che possono verificarsi durante la creazione di un difetto del setto atriale comprendono:

Tamponamento	Sepsi/infezione	Episodi tromboembolici
Perforazione vasale	Fibrillazione atriale	Infarto miocardico
Spasmo vasale	Aritmie prolungate	Flutter atriale
Emorragia	Trombosi vascolare	Perforazione del miocardio
Ematoma	Reazione allergica al mezzo di contrasto	Tachicardia ventricolare
Dolore e sensibilità	Fistola arterovenosa	

VIII. Attrezzatura necessaria

Le procedure transettali a radiofrequenza devono essere eseguite in una clinica specializzata attrezzata con un'unità fluoroscopica, un tavolo per radiografie, attrezzatura per le ecocardiografie per immagini, un registratore fisiologico, attrezzature di emergenza e strumentazione per l'accesso vascolare. I materiali ausiliari necessari per eseguire questa procedura sono:

- L'ablatore a radiofrequenza Baylis (RFP-100A)
- Il kit guaina/dilatatore transettale compatibile da 0.035"
- L'elettrodo patch indifferente (dispersivo) (DIP) monouso deve soddisfare o superare i requisiti IEC 60601-2-2 per gli elettrodi elettrochirurgici

IX. ISPEZIONE PRIMA DELL'USO

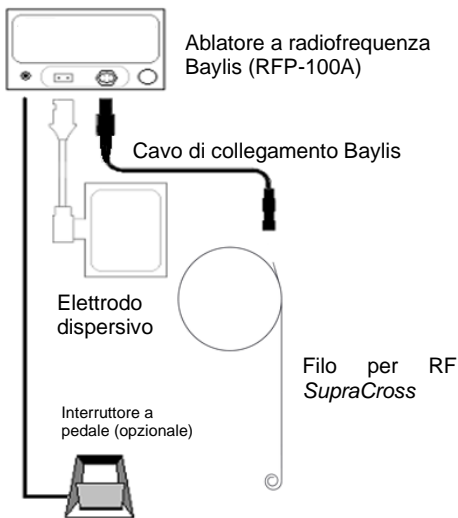
Prima di eseguire la procedura, i componenti individuali tra cui il filo RF e il cavo di collegamento Baylis dell'ablatore a radiofrequenza Baylis, *SupraCross* devono essere ispezionati attentamente per

individuare eventuali danni o difetti, come pure tutte le apparecchiature della procedura. Non usare attrezzature difettose. Non utilizzare nuovamente il filo RF o il cavo di collegamento.

X. ISTRUZIONI PER L'USO

- Tutte le istruzioni per le apparecchiature devono essere lette attentamente, comprese e seguite. La mancata osservanza di quanto sopra, può causare complicazioni.
- Il filo RF e il cavo di collegamento Baylis *SupraCross* sono forniti sterilizzati. Aprire il pacchetto seguendo una tecnica asettica e manipolare il prodotto in un campo sterile.
- Collegare l'estremità del cavo dell'ablatores alla porta del connettore isolato del paziente sull'ablatores a RF Baylis (Baylis RF Generator) come da istruzioni per l'uso dell'ablatores a RF Baylis. Allineare delicatamente i pin del connettore alla presa e premerli verso dentro finché il connettore entra fermamente nella presa. Qualsiasi tentativo di collegare il cavo in modo diverso danneggerà le puntine del connettore.
- Non forzare il collegamento del cavo all'ablatores in RF Baylis. L'uso di forza eccessiva può danneggiare le puntine del connettore.
- Sciacquare accuratamente il dilatatore transettale (non in dotazione)
- Eseguire una puntura nella vena standard al punto di accesso desiderato, usando una siringa di accesso (non in dotazione).
- Nel punto di accesso vengono solitamente inseriti una guaina e un dilatatore transettale, poi fatti avanzare sul filo guida da posizionare nella vena cava superiore (VCS) sotto guida fluoroscopica.
- Rimuovere il filo guida.
- Usando il raddrizzatore della punta, raddrizzare la curva distale del filo RF *SupraCross*.
- Inserire la punta del filo RF *SupraCross* nel raccordo del dilatatore e fare avanzare il filo attraverso il set guaina/dilatatore fino a quando la punta del filo si trova dentro la punta del dilatatore.
- Afferrare saldamente con una mano l'estremità del connettore del catetere del cavo di collegamento. Usando il pollice, premere il pulsante rosso sulla parte superiore del connettore. Inserire lentamente l'estremità prossimale del filo RF *SupraCross* nell'apertura del connettore del catetere. Una volta che la porzione esposta dell'estremità prossimale del dispositivo non sarà più visibile, rilasciare il pulsante rosso del connettore. Tirare delicatamente il dispositivo per verificare che il collegamento sia sicuro.
- Posizionare l'unità filo/guaina/dilatatore nell'atrio destro sulla fossa ovalis sotto guida fluoroscopica, seguendo la tecnica standard. Si raccomanda anche la guida ecocardiografica.
- Premere sul dilatatore per allargare il setto nella fossa ovalis.
- Far passare il filo RF *SupraCross* in modo che la punta attiva tocchi la fossa ovalis mentre è ancora nel dilatatore.
- Una volta raggiunta la posizione giusta, passare energia in RF attraverso l'ablatores RF Baylis alla punta attiva. Questo si traduce nella puntura del tessuto cardiaco di destinazione. Si prega di fare riferimento alle istruzioni per l'uso dell'ablatores RF Baylis per l'uso corretto dell'ablatores.
- Esercitare una pressione ferma sul filo RF *SupraCross* durante l'applicazione dell'energia in RF per riuscire a fare avanzare il filo RF *SupraCross* attraverso il tessuto.
- NOTA: Per gli ablatori RF Baylis, usare le impostazioni in RF più basse per raggiungere la foratura desiderata.**
 - Per RFP-100A: L'impostazione iniziale di RF di un (1) secondo in modalità "PULSE", poi due (2) secondi in modalità "CONSTANT" hanno dimostrato di essere sufficienti per una foratura ben riuscita.
- La fornitura dell'energia in radiofrequenza può essere interrotta premendo il pulsante ON/OFF dell'ablatores se il timer non ha ancora finito di scorrere.
- L'entrata nell'atrio sinistro può essere confermata monitorando il filo RF *SupraCross* sotto fluoroscopia. Si raccomanda anche la guida ecocardiografica.
- Se la puntura settale non riesce dopo cinque (5) applicazioni di energia in RF, si consiglia di utilizzare un metodo alternativo per la procedura.
- Una volta completata la puntura, il filo RF *SupraCross* dev'essere inserito meccanicamente senza energia in RF. Il posizionamento nell'atrio sinistro è sufficiente quando l'intera curva distale ha attraversato il setto ed è osservabile sotto fluoroscopia nell'atrio sinistro. Si raccomanda anche la guida ecocardiografica.
- Il dilatatore transettale può essere fatto avanzare sul filo per ingrandire la puntura.
- Per scollegare il filo RF del *SupraCross* dal cavo di collegamento, premere il pulsante rosso sul connettore del catetere e rimuovere delicatamente l'estremità prossimale del filo RF dal cavo di collegamento.
- Per scollegare il cavo del connettore dall'ablatores a RF Baylis, afferrare fermamente il connettore e staccarlo delicatamente dalla presa.
- Estrarre lentamente il filo RF del *SupraCross* attraverso il set della guaina/dilatatore transettale.

Collegamenti



XI. ISTRUZIONI PER LA PULIZIA E LA STERILIZZAZIONE

Il filo RF e il cavo di collegamento *SupraCross* sono monouso. Non pulire e non risterilizzare il filo RF e/o il cavo di collegamento Baylis *SupraCross*.

XII. RISOLUZIONE DEI PROBLEMI

La seguente tabella è fornita per agevolare l'utente nella diagnosi dei potenziali problemi.

PROBLEMI	COMMENTI	RISOLUZIONE DEI PROBLEMI
Il cavo di collegamento Baylis non entra nel connettore del paziente isolato sul	I connettori sono progettati in modo da collegarsi in modo specifico per motivi di sicurezza. Se le parti del connettore non	Verificare che le parti del connettore siano allineate nell'orientamento giusto.

pannello anteriore dell'ablatores	sono allineate, i connettori non potranno essere montati.	
Messaggi d'errore dell'ablatores	Per potere praticare correttamente una puntura nel tessuto usando l'energia in radiofrequenza, tutti i dispositivi devono essere collegati correttamente ed essere perfettamente funzionanti.	Assicurarsi che tutti i collegamenti siano stati fatti: - Il filo RF <i>SupraCross</i> al cavo di collegamento - Il cavo di collegamento all'ablatores a RF Baylis - L'ablatores a RF Baylis alla presa di corrente - L'ablatores a RF Baylis all'elettrodo dispersivo Ispezionare visivamente il filo RF <i>SupraCross</i> e il cavo di collegamento per escludere eventuali danni. Gettare immediatamente eventuali apparecchiature danneggiate. Se il problema persiste interrompere l'utilizzo. Per messaggi di errore riscontrati durante il tentativo di puntura in radiofrequenza, fare riferimento alle istruzioni per l'uso che accompagnano l'ablatores a RF Baylis.
Il filo si rompe o si attorciglia	Le rotture o gli attorcigliamenti del filo RF <i>SupraCross</i> sono una potenziale causa di lesioni per il paziente.	Gettarli immediatamente

XIII. INFORMAZIONI SULL'ASSISTENZA CLIENTI E PER IL RESO DEL PRODOTTO

In caso di problemi o domande sulle apparecchiature mediche Baylis, contattare il nostro personale di assistenza tecnica al seguente indirizzo e/o numero di telefono.

Baylis Medical Company Inc.
5959 Trans-Canada Highway
Montreal, Quebec, Canada, H4T 1A1
Telefono: (514) 488-9801 oppure (800) 850-9801
Fax: (514) 488-7209
www.baylismedical.com

NOTE:

- Per rendere i prodotti, è necessario avere un numero di autorizzazione per la restituzione prima di spedire i prodotti indietro a Baylis Medical Company. Le istruzioni per il reso del prodotto saranno fornite in tale momento.
- Assicurarsi che i prodotti restituiti a Baylis Medical siano stati puliti, decontaminati e/o sterilizzati come indicato nelle istruzioni per il reso dei prodotti, prima di restituirli per il servizio sotto garanzia. Baylis Medical non accetta parti di apparecchiature utilizzate che non siano state pulite o decontaminate accuratamente come da istruzioni per la restituzione del prodotto.

XIV. ETICHETTE E SIMBOLI

	Conservare in luogo asciutto		Scadenza
	Produttore		Non usare se la confezione è danneggiata.
	Numero di lotto		Attenzione
	Numero di modello		Tenere lontano dalla luce diretta del sole
	Non risterilizzare		Non pirogenico
	Non riutilizzare		Seguire le istruzioni per l'uso
	Sterilizzare usando ossido di etilene		
	Attenzione: la legge federale (USA) limita la vendita del presente dispositivo da parte o su prescrizione di un medico.		
	Solo per gli stati membri dell'UE: L'uso di questo simbolo indica che il prodotto dev'essere smaltito in conformità ai regolamenti nazionali e locali. Per domande riguardanti il riciclaggio di questo dispositivo contattare il proprio distributore.		

Español

Lea cuidadosamente todas las instrucciones antes del uso. Respete todas las contraindicaciones, advertencias y precauciones mencionadas en estas instrucciones. Si no lo hace, podrían presentarse complicaciones con el paciente.

Precaución: La Ley Federal (EE. UU.) restringe la venta de este dispositivo a médicos o bajo prescripción facultativa.

I. DESCRIPCIÓN DEL DISPOSITIVO

El catéter *SupraCross* RF incluye un cable conector Baylis. El catéter *SupraCross* RF debe utilizarse con un generador de perforación por radiofrecuencia Baylis (generador RF Baylis) y un cable conector Baylis (cable conector).

El catéter *SupraCross* RF emite energía de radiofrecuencia (RF) en modo unipolar entre su electrodo distal y un electrodo externo de almohadilla (DIP) indiferente (dispersivo) desechable disponible comercialmente, de conformidad con la norma IEC 60601-2-2. El cable conector conecta el generador RF Baylis al catéter *SupraCross* RF. Este cable conector permite que la energía de RF se envíe desde el generador de RF Baylis al catéter *SupraCross* RF.

Puede encontrar información detallada sobre el generador RF Baylis en un manual aparte que viene incluido con el generador (bajo el título "Generador de perforación por radiofrecuencia Baylis Instrucciones de uso"). El generador RF Baylis compatible con el catéter *SupraCross* RF incluye el RFP-100A.

Las dimensiones del catéter *SupraCross* RF y del cable conector Baylis pueden verse en la etiqueta de cada dispositivo. El aislamiento del cuerpo del catéter *SupraCross* RF facilita el deslizamiento suave del dispositivo y además ofrece aislamiento eléctrico. La parte distal flexible del catéter *SupraCross* RF tiene una pequeña curva y la punta activa es redondeada para que no produzca trauma en el tejido cardíaco a menos que se aplique energía de RF. En la curva se coloca una serpentina de contraste para la visualización bajo fluoroscopia. El cuerpo principal del catéter *SupraCross* RF ofrece una guía rígida para deslizar dispositivos complementarios en la aurícula izquierda después de la creación de un defecto septal auricular. La parte proximal flexible del catéter *SupraCross* RF tiene una curva circular grande y el extremo proximal es de metal expuesto para conectarlo con el cable del conector que se incluye. El otro extremo del cable conector que se incluye lo conecta con el generador de RF Baylis.

II. INDICACIONES PARA SU USO

El catéter *SupraCross* RF está indicado en la creación de un defecto septal auricular en el corazón.

III. CONTRAINDICACIONES

El catéter *SupraCross* RF no se recomienda para su uso en ninguna condición que no requiera la creación de un defecto septal auricular.

El cable conector Baylis, incluido con el catéter *SupraCross* RF, no se recomienda para su uso con ningún otro generador de RF ni con ningún otro dispositivo.

IV. ADVERTENCIAS

- Únicamente los médicos con una buena comprensión de la angiografía y de procedimientos de intervenciones percutáneas deberían utilizar este dispositivo. Se recomienda que los médicos reciban capacitación pre-clínica y otra formación adecuada, y que revisen la literatura pertinente antes de intentar nuevos procedimientos de intervención.
- El catéter *SupraCross* RF y el cable conector Baylis (cable conector) se suministran en estado ESTÉRIL después de haberse sometido a un proceso de óxido de etileno. No lo utilice si el embalaje está dañado.
- El personal de laboratorio y los pacientes pueden exponerse a cantidades significativas de rayos x durante los procedimientos de perforación por radiofrecuencia debido al uso continuo del proceso de obtención de imágenes fluoroscópicas. Dicha exposición puede ocasionar severas lesiones por radiación, así como un riesgo más elevado de efectos somáticos y genéticos. Por lo tanto, se deben tomar las medidas adecuadas para minimizar la exposición.
- El catéter *SupraCross* RF y el cable conector están destinados para su uso con un solo paciente únicamente. No intente esterilizar y reutilizar ningún dispositivo. La reutilización puede lesionar al paciente y/o transmitir enfermedades infecciosas de un paciente a otro. Si no lo hace, podrían presentarse complicaciones con el paciente.
- El catéter *SupraCross* RF debe utilizarse con el cable conector que se incluye. El intento de utilizarlo con otros cables conectores puede ocasionar la electrocución del paciente y/o del operador.
- El cable conector debe utilizarse exclusivamente con el generador de perforación por radiofrecuencia Baylis (generador de FR Baylis) y el catéter *SupraCross* RF incluido. El intento de utilizarlo con otros generadores RF puede ocasionar la electrocución del paciente y/o del operador.
- El catéter *SupraCross* RF debe utilizarse con dispositivos de dilatación y fundas transeptales de 0,035" compatibles.
- La punta activa y la curva distal del catéter *SupraCross* RF son frágiles. Tenga cuidado de no dañar la punta ni la curva distal mientras manipula el catéter *SupraCross* RF. Si se daña la punta o la curva distal, deseche el catéter *SupraCross* RF inmediatamente.
- Si la punta activa del catéter *SupraCross* RF se dobla en algún momento durante su uso, deseche el catéter *SupraCross* RF inmediatamente. No intente enderezar la punta activa.
- El catéter *SupraCross* RF no está destinado a usarse con pacientes neonatales (menores a un mes de edad). No intente hacer tratamientos a pacientes neonatales con el catéter *SupraCross* RF.

V. PRECAUCIONES

- No intente usar el catéter *SupraCross* RF y el cable conector Baylis (cable conector) o equipos complementarios antes de leer completamente las Instrucciones de uso incluidas con el mismo.
- Los procedimientos de perforación por radiofrecuencia deberían realizarse únicamente médicos capacitados en las técnicas de perforación accionada por radiofrecuencia en un laboratorio de cateterismo totalmente equipado.
- Deberá realizarse una inspección visual del embalaje estéril antes de usarlo para detectar cualquier cambio. Asegúrese de que no se ha dañado el embalaje. No utilice el equipo si el embalaje ha sufrido cambios.
- Realice una inspección visual del catéter *SupraCross* RF y del cable conector antes de usarlos para asegurarse de que el material aislante no esté agrietado ni dañado. No utilice el catéter ni el cable si tienen algún daño.
- No utilice el catéter *SupraCross* RF ni el cable conector después de la fecha de caducidad (USE BY) indicada en la etiqueta.
- El catéter *SupraCross* RF y el cable conector están destinados únicamente para usarse con aquellos dispositivos que se listan en la Sección VIII, Equipo necesario.
- Lea y siga las instrucciones del fabricante sobre cómo usar el electrodo de almohadilla (DIP) indiferente (dispersivo) desechable. Utilice siempre electrodos DIP que cumplan o superen los requisitos de la norma IEC 60601-2-2.
- La colocación del electrodo dispersivo en el muslo podría estar asociada a una mayor impedancia.
- A fin de evitar el riesgo de incendio, asegúrese de que no haya materiales inflamables presentes en la sala durante la aplicación de energía de RF.
- Tome precauciones para limitar los efectos que la interferencia electromagnética (EMI) producida por el generador de perforación por radiofrecuencia Baylis (generador de RF Baylis) podría tener sobre el desempeño de otros equipos. Verifique la compatibilidad y la seguridad de las combinaciones de otros aparatos eléctricos y de control fisiológico que vayan a usarse en el paciente, además del generador de RF Baylis.
- Se debe utilizar un filtrado adecuado para permitir el control continuo del electrocardiograma superficial (ECG) durante la aplicación de energía de radiofrecuencia.
- No intente introducir y utilizar el extremo proximal del catéter *SupraCross* RF como punta activa.
- No intente insertar o recoger el cable *SupraCross* RF mediante una cánula metálica o un agujero percutáneo.
- No doble el catéter *SupraCross* RF ni el cable conector. Doblar o torcer excesivamente el eje del catéter, la curva distal o la curva proximal podría dañar la integridad del catéter *SupraCross* RF, lo cual podría ocasionar lesiones al paciente. Se debe tener mucho cuidado al manipular el catéter de RF y el cable conector.
- Se debe manipular el catéter *SupraCross* RF con sumo cuidado para evitar los traumas en el vaso sanguíneo. El desplazamiento del catéter *SupraCross* RF y del dilatador deben realizarse bajo la guía del sistema de obtención de imágenes. Si encuentra resistencia, NO use excesiva fuerza para deslizar o retirar el catéter *SupraCross* RF ni el dilatador.
- No intente emitir energía de radiofrecuencia hasta que se confirme que la punta activa del catéter *SupraCross* RF hace buen contacto con el tejido diana.
- Se recomienda no exceder las cinco (5) aplicaciones de energía de RF por cada catéter *SupraCross* RF.
- Nunca desconecte el cable conector del generador de RF Baylis mientras el generador está emitiendo energía de RF.
- Nunca desconecte el cable conector del generador de RF Baylis tirando del cable. Si no se desconecta correctamente, el cable podría dañarse.
- No gire el cable conector mientras lo introduce o lo retira del conector del paciente aislado o del generador de RF Baylis. Girar el cable puede dañar los conectores de clavijas.
- El generador de RF Baylis puede emitir una cantidad significativa de energía eléctrica. La manipulación incorrecta del catéter *SupraCross* RF y/o del electrodo DIP, particularmente al operar el dispositivo, podría producir lesiones al paciente o al operador.
- Mientras se emite energía, no se le debería permitir al paciente estar en contacto con superficies de suelos de metal.
- Una aparentemente salida de energía baja o funcionamiento incorrecto del equipo con la configuración adecuada podrían indicar una aplicación incorrecta del electrodo DIP, el fallo de un cable eléctrico o un contacto insuficiente con el tejido en la punta activa. Verifique a fin de detectar defectos evidentes en el equipo o una utilización incorrecta. Intente colocar la punta activa del catéter *SupraCross* RF en una mejor posición hacia el tabique auricular. Aumente la potencia únicamente si la salida baja persiste.
- Baylis Medical Company confía en el médico para determinar, evaluar y comunicarle a cada paciente todos los riesgos previsible del sistema de perforación por radiofrecuencia médico Baylis.

VI. ESPECIFICACIONES DEL PRODUCTO

Producto	Catéter <i>SupraCross</i> RF	Producto	Cable conector RFP 100A
Longitud utilizable	180 cm	Longitud utilizable	10 pies/3 m
Díámetro exterior	0,035" / 0,89 mm	Conector del generador	4 clavijas (1 clavija)
Serpentina de contraste	Serpentina de 1 x 30 mm Proximal del electrodo	Conector del dispositivo	Pulsador

VII. EFECTOS ADVERSOS

Entre los efectos adversos que podrían producirse al momento de crear un defecto septal auricular se incluyen:

Taponamiento	Sepsis/Infección	Episodios tromboembólicos
Perforación de vasos	Fibrilación auricular	Infarto de miocardio
Espasmo de vasos sanguíneos	Aritmias continuadas	Aleteo auricular
Hemorragia	Trombosis vascular	Perforación del miocardio
Hematoma	Reacción alérgica al medio de contraste	Taquicardia ventricular
Dolor y sensibilidad	Fistula arteriovenosa	

VIII. EQUIPOS NECESARIOS

Los procedimientos transeptales por radiofrecuencia deberían realizarse en un entorno clínico especializado con una unidad de fluoroscopia, mesa radiográfica, sistema de obtención de imágenes de ecocardiografía, monitor fisiológico, equipo de emergencia e instrumentación para acceso vascular. Entre los materiales complementarios necesarios para realizar este procedimiento se encuentran:

- Generador de perforación por radiofrecuencia Baylis (RFP-100A)
- Kit de dilatación/ fundas transeptales compatibles de 0,035"
- El electrodo de almohadilla (DIP) indiferente (dispersivo) desechable debe cumplir o superar los requisitos de la norma IEC 60601-2-2 sobre electrodos electroquirúrgicos

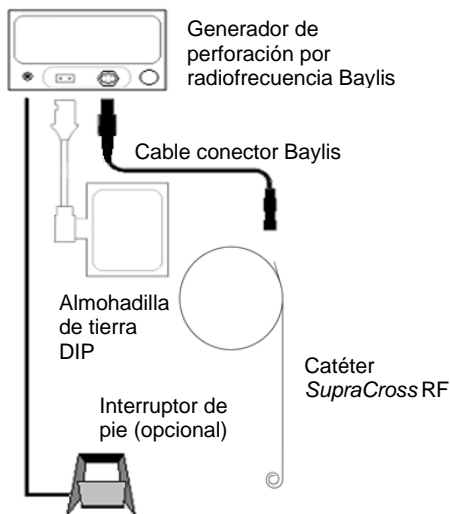
IX. INSPECCIÓN PREVIA AL USO

Antes de realizar el procedimiento, deben examinarse cuidadosamente los componentes individuales que incluyen el generador de perforación por radiofrecuencia Baylis, el catéter *SupraCross* RF y el cable conector Baylis (cable conector) para determinar si están dañados o tienen defectos, así como todos los equipos que se usen en el procedimiento. No utilice equipos defectuosos. No reutilice el catéter de RF ni el cable conector.

X. INDICACIONES DE USO

- Se deben leer cuidadosamente, entender y seguir todas las instrucciones para el equipo. Si no lo hace, podrían presentarse complicaciones.
- El catéter *SupraCross* RF y el cable conector Baylis (cable conector) se suministran en estado estéril. Utilice técnicas asépticas al abrir el embalaje y manipular el producto en el campo estéril.
- Conecte el extremo del conector del generador del cable conector al puerto conector del paciente aislado en el generador de perforación por radiofrecuencia Baylis (generador de FR Baylis) según las Instrucciones de uso del generador de RF Baylis. Alinee las clavijas del conector con la toma y presiónese hasta que el conector encaje con firmeza en la misma. Cualquier intento de conectar el cable de otra forma dañará las clavijas del conector.
- No use excesiva fuerza al conectar el cable conector al generador de RF Baylis. El uso de fuerza excesiva podría dañar las clavijas del conector.
- Lave cuidadosamente el dilatador transeptal (no suministrado).
- Realice una perforación de vaso sanguíneo normal en el sitio de acceso deseado mediante una aguja de acceso (no suministrada).
- Por lo general, la funda transeptal y el dilatador se introducen por el sitio de acceso y luego se deslizan por un catéter guía para posicionarlos en la vena cava superior (SVC) bajo guía fluoroscópica.
- Retire el catéter guía.
- Por medio del instrumento para enderezar puntas, enderece la curva distal del catéter *SupraCross* RF.
- Introduzca la punta del catéter *SupraCross* RF en el dispositivo dilatador y deslice el catéter por el conjunto de la funda/dilatador hasta que la punta del catéter esté dentro de la punta del dilatador.
- Sostenga con firmeza el extremo conector del catéter del cable conector en una mano. Haciendo uso de su dedo pulgar, presiónese el botón rojo en la parte superior del conector. Introduzca lentamente el extremo proximal del catéter *SupraCross* RF en la abertura del conector del catéter. Cuando la parte expuesta del extremo proximal del dispositivo ya no esté visible suelte el botón rojo del conector. Tire suavemente del dispositivo para asegurarse de que tiene una conexión segura.
- Coloque el conjunto del catéter/funda/dilatador en la aurícula correcta junto a la fosa oval bajo la guía fluoroscópica mediante la técnica estándar. También se recomienda la guía ecocardiográfica.
- Aplique presión al dilatador para abultar el tabique en la fosa oval.
- Deslice el catéter *SupraCross* RF de modo que la punta activa alcance el tabique en la fosa oval, pero mientras aún permanece dentro del dilatador.
- Una vez que se ha alcanzado la posición correcta, emita energía de RF a la punta activa través del generador de RF Baylis RF. Esto produce la perforación del tejido cardíaco diana. Por favor, consulte las Instrucciones de uso del generador de RF Baylis para la correcta operación del generador.
- Aplique presión firme al catéter *SupraCross* RF durante la aplicación de energía de RF para deslizar correctamente el catéter *SupraCross* RF a través del tejido.
- **NOTA: En las unidades del generador de RF Baylis, utilice los parámetros de RF adecuados más bajos para lograr la perforación deseada.**
 - Para el RFP-100A: Se ha demostrado que una configuración de RF inicial entre un (1) segundo en modo PULSO ("PULSE") y dos (2) segundos en modo CONSTANTE ("CONSTANT") es suficiente para la correcta perforación.
- La emisión de energía de radiofrecuencia puede interrumpirse presionando el botón RF ON/OFF del generador si el temporizador no ha terminado.
- La entrada a la aurícula izquierda puede confirmarse supervisando el catéter *SupraCross* RF bajo fluoroscopia. También se recomienda la guía ecocardiográfica.
- Si la perforación septal no tiene éxito después de cinco (5) aplicaciones de energía de RF, se aconseja que el usuario utilice un método alternativo para el procedimiento.
- Una vez que la perforación se ha realizado correctamente, el catéter *SupraCross* RF debe deslizarse de forma mecánica sin emitir energía de RF. El posicionamiento en la aurícula izquierda es suficiente cuando la curva distal ha atravesado el tabique y se observa bajo fluoroscopia en la aurícula izquierda. También se recomienda la guía ecocardiográfica.
- Entonces se puede deslizar el dilatador transeptal por el catéter para agrandar la perforación.
- Para desconectar el catéter *SupraCross* RF del cable conector, oprima el botón rojo en el conector del catéter y retire cuidadosamente el extremo proximal del catéter de RF del cable conector.
- Para desconectar el cable conector del generador de RF Baylis, sostenga el conector con firmeza y tire de él suavemente para sacarlo de la toma.
- Retire el catéter *SupraCross* RF lentamente por el conjunto de la funda transeptal/dilatador.

Conexiones



XI. INSTRUCCIONES DE LIMPIEZA Y ESTERILIZACIÓN

El catéter SupraCross RF y el cable conector están destinados para un solo uso exclusivamente. No limpie ni esterilice nuevamente el catéter SupraCross RF ni el cable conector Baylis.

XII. RESOLUCIÓN DE PROBLEMAS

Se proporciona el siguiente cuadro para ayudar al usuario a diagnosticar potenciales problemas.

PROBLEMA	COMENTARIOS	RESOLUCIÓN DE PROBLEMAS
El cable conector Baylis no encaja en el conector de paciente aislado en la parte frontal del generador.	Por motivos de seguridad, los conectores están diseñados para conectarse de una forma específica. Si las "llaves" del conector no están alineadas, los conectores no encajan.	Verifique que las llaves del conector estén alineadas en la orientación adecuada.
Mensajes de error del generador	A fin de realizar perforaciones de tejido por medio de energía de radiofrecuencia con éxito, todos los dispositivos deben estar conectados correctamente y en buen estado de funcionamiento.	Asegúrese de que se hayan hecho todas las conexiones: - Catéter SupraCross RF al cable conector - Cable conector al generador de RF Baylis - Generador de RF Baylis a la salida de energía eléctrica - Generador de RF Baylis a la almohadilla de tierra Realice una inspección visual del catéter SupraCross RF y del cable conector para detectar si están dañados. Deseche cualquier equipo dañado de inmediato. Si el problema persiste, interrumpa su uso. En cuanto a los mensajes de error que aparezcan mientras intenta realizar una perforación por radiofrecuencia, consulte el documento "Instrucciones de uso" que viene incluido con el generador de RF Baylis.
Rotura o torcedura del catéter	Las roturas o torceduras del catéter SupraCross RF son una causa potencial de lesiones en el paciente.	Deséchelo inmediatamente.

XIII. INFORMACIÓN SOBRE DEVOLUCIÓN DE PRODUCTOS Y SERVICIO AL CLIENTE

Si tiene algún problema o pregunta acerca de los equipos médicos de Baylis, póngase en contacto con nuestro personal de asistencia técnica en la siguiente dirección y/o número de teléfono.

Baylis Medical Company Inc.
 5959 Trans-Canada Highway
 Montreal, Quebec, Canadá, H4T 1A1
 Teléfono: (514) 488-9801 / (800) 850-9801
 Fax: (514) 488-7209
 www.baylismedical.com

NOTAS:

- Para devolver productos, primero necesita un número de autorización de devolución antes de enviar los productos a Baylis Medical Company. En ese momento, se le proporcionarán las "Instrucciones para la devolución de productos".
- Asegúrese de que cualquier producto que se devuelva a Baylis Medical se haya limpiado, descontaminado y/o esterilizado según se indica en las Instrucciones para la devolución de productos antes de devolverlo al servicio de garantía. Baylis Medical no aceptará ningún equipo usado que no haya sido limpiado y descontaminado adecuadamente según las Instrucciones para la devolución de productos.

XIV. ETIQUETAS Y SÍMBOLOS

	Manténgase seco		Utilizado por
	Fabricante		Precaución
	Número de lote		Manténgase alejado de la luz solar

	N.º de modelo		No lo utilice si el embalaje está dañado
	No lo esterilice nuevamente		No pirógeno
	No lo utilice nuevamente		Siga las Instrucciones de uso
STERILE EO	Esterilizado con óxido de etileno (EO)		
Rx ONLY	Precaución: La Ley Federal (EE. UU.) restringe la venta de este dispositivo a médicos o bajo prescripción facultativa.		
	Únicamente para los estados miembro de la UE: El uso de este símbolo indica que el producto debe desecharse de forma que cumpla con la normativa local y nacional. Si tiene preguntas sobre el reciclaje de este dispositivo, por favor póngase en contacto con su distribuidor.		

Português

Leia atentamente todas as instruções antes de usar. Respeite todas as contraindicações, advertências e precauções indicadas nestas instruções. O desrespeito por esta regra pode resultar em complicações no doente.

Cuidado: A Lei Federal (EUA) restringe a venda deste dispositivo que só pode ser vendido por um médico ou por ordem deste.

I. DESCRIÇÃO DO DISPOSITIVO

O Fio de RF SupraCross é fornecido com um Cabo Conector Baylis. O Fio de RF SupraCross tem de ser usado com um Gerador de Punção por Radiofrequência Baylis (Gerador de RF Baylis) aprovado e com um Cabo Conector Baylis (Cabo Conector).

O Fio de RF SupraCross fornece energia de radiofrequência (RF) de um modo monopolar entre o seu eletrodo distal e um eletrodo dispersivo (de retorno) descartável externo, disponível comercialmente, que está em conformidade com as normas IEC 60601-2-2. O Cabo Conector liga o Gerador de RF Baylis ao Fio de RF SupraCross. Este Cabo Conector permite que a energia de RF seja fornecida a partir do Gerador de RF Baylis a um Fio de RF SupraCross.

Informações detalhadas sobre o Gerador de RF Baylis estão incluídas num manual separado que acompanha o Gerador (intitulado "Instruções de Utilização do Gerador de Punção por Radiofrequência da Baylis"). Os Geradores de RF Baylis compatíveis com o Fio de RF SupraCross incluem o RFP-100A.

As dimensões do Fio de RF SupraCross e do Cabo Conector Baylis podem ser encontradas no rótulo do dispositivo. O isolamento do corpo do Fio de RF SupraCross facilita o avanço suave do dispositivo e fornece isolamento elétrico. A porção distal frouxa do Fio de RF SupraCross tem uma pequena curva e a ponta ativa é arredondada para não ser traumática para o tecido cardíaco, a menos que seja aplicada energia de RF. Uma bobina de marcador encontra-se posicionada na curva para visualização sob fluoroscopia. O corpo principal do Fio de RF SupraCross fornece uma via rígida para o avanço de dispositivos auxiliares para a aurícula esquerda após a criação de um defeito do septo atrial. A porção proximal frouxa do Fio de RF SupraCross tem uma grande curva circular e a extremidade proximal é de metal não revestido para ligar com o cabo conector incluído. A outra extremidade do Cabo Conector incluído liga ao Gerador de RF Baylis.

II. INDICAÇÕES DE UTILIZAÇÃO

O Fio de RF SupraCross é indicado para a criação de um defeito do septo atrial no coração.

III. CONTRAINDICAÇÕES

O Fio de RF SupraCross não é recomendado para uso com quaisquer condições que não exijam a criação de um defeito do septo atrial.

O Cabo Conector Baylis, fornecido com o Fio de RF SupraCross, não é recomendado para uso com qualquer outro Gerador de RF ou qualquer outro dispositivo.

IV. AVISOS

- Apenas médicos com uma compreensão completa de angiografia e dos procedimentos de intervenção percutânea devem usar este dispositivo. É recomendável que os médicos procurem formação pré-clínica, uma revisão da literatura pertinente e outros sistemas de formação adequados, antes de tentarem novos procedimentos de intervenção.
- O Fio de RF SupraCross e o Cabo Conector Baylis (Cabo Conector) são fornecidos em condições ESTÉREIS, usando um processo com óxido de etileno. Não utilizar se a embalagem estiver danificada.
- O pessoal de laboratório e os pacientes podem sofrer exposição significativa de raios-X durante os procedimentos de punção por radiofrequência devido ao uso contínuo de imagens fluoroscópicas. Esta exposição pode resultar em lesões agudas por radiação, bem como no aumento do risco de efeitos somáticos e genéticos. Portanto, devem tomar-se medidas adequadas para minimizar essa exposição.
- O Fio de RF SupraCross e o Cabo Conector destinam-se à utilização num único paciente. Não tente esterilizar e reutilizar qualquer destes dispositivos. A reutilização pode causar uma lesão ao paciente e/ou a comunicação de doença(s) infecciosa(s) de um paciente para outro. O desrespeito por esta regra pode resultar em complicações no doente.
- O Fio de RF SupraCross deve ser usado com o Cabo Conector fornecido. As tentativas de usá-lo com outros cabos conectores podem resultar em eletrocussão do paciente e/ou do operador.
- O Cabo Conector só deve ser usado com o Gerador de Punção por Radiofrequência Baylis (Gerador de RF Baylis) e com o Fio de RF SupraCross incluído. As tentativas de usá-lo com outros Geradores de RF e dispositivos podem resultar em eletrocussão do paciente e/ou do operador.
- O Fio de RF SupraCross deve ser usado com dispositivos de bainha transeptal de 0,035" e dilatador compatíveis.
- A ponta ativa e a curva distal do Fio de RF SupraCross são frágeis. Tenha cuidado para não danificar a ponta ou a curva distal quando manusear o Fio de RF SupraCross. Se a ponta ou a curva distal ficarem danificadas, deite fora o Fio de RF SupraCross imediatamente.
- Se a ponta ativa do Fio de RF SupraCross ficar dobrada em qualquer momento durante a sua utilização, deite fora o Fio de RF SupraCross imediatamente. Não tente endireitar a ponta ativa.
- O Fio de RF SupraCross não se destina a ser usado em pacientes neonatais (menos de um mês de idade). Não tente tratar pacientes neonatais com o Fio de RF SupraCross.

V. PRECAUÇÕES

- Não tente usar o Fio de RF SupraCross e o Cabo Conector Baylis (Cabo Conector) ou equipamentos auxiliares antes de ler atentamente as instruções de utilização que os acompanham.
- Os procedimentos de punção por radiofrequência devem ser realizados apenas por médicos com a devida formação em técnicas de punção por radiofrequência num laboratório de cateterismo totalmente equipado.
- A embalagem estéril deve ser visualmente inspecionada antes da utilização para detetar qualquer situação que possa comprometer essa esterilidade. Certifique-se de que a embalagem não está danificada. Não utilize o equipamento se a embalagem tiver sinais de danos.
- Inspeccione visualmente o Fio de RF SupraCross e o Cabo Conector antes de os usar, para garantir que não há nenhuma racha ou danos no material de isolamento. Não use o fio ou o cabo se houver algum dano.

- Não use o Fio de RF *SupraCross* e/ou o Cabo Conector após a data de VALIDADE indicada no rótulo.
- O Fio de RF *SupraCross* e o Cabo Conector destinam-se a ser usados apenas com os dispositivos enumerados na Seção VIII, Equipamento Necessário.
- Leia e siga as instruções do fabricante para a utilização do eletrodo indiferente de placa (dispersivo) descartável (DIP). Use sempre eletrodos DIP que igualem ou excedam os requisitos da norma IEC 60601-2-2.
- A colocação do eletrodo dispersivo na coxa pode ser associada a impedância mais alta.
- Para evitar o risco de ignição, certifique-se de que não estão presentes na sala materiais inflamáveis durante a aplicação de energia de RF.
- Tome precauções para limitar os efeitos que a interferência eletromagnética (EMI) produzida pelo Gerador de Punção por Radiofrequência Baylis (Gerador de RF Baylis) possa ter no desempenho de outros equipamentos. Verifique a compatibilidade e a segurança de combinações de outros aparelhos elétricos e de monitorização fisiológica, a serem usados no paciente além do Gerador de RF Baylis.
- Deve ser efetuada uma filtragem adequada para permitir a monitorização contínua da superfície do eletrocardiograma (ECG) durante aplicações de energia de radiofrequência.
- Não tente inserir e usar a extremidade proximal do Fio de RF *SupraCross* como ponta ativa.
- Não tente introduzir ou retirar o *SupraCross RF Wire* através de uma cânula metálica ou agulha percutânea.
- Não dobre o Fio de RF *SupraCross* ou o Cabo Conector. A excessiva flexão ou torção do eixo do fio, da curva distal ou curva proximal pode danificar a integridade do Fio de RF *SupraCross* e pode causar lesões ao paciente. Tenha cuidado ao manusear o Fio de RF e o Cabo Conector.
- Deve ser efetuada uma manipulação cuidadosa do Fio de RF *SupraCross* para evitar o trauma dos vasos. O avanço do Fio de RF *SupraCross* e do Dilatador deve ser feito sob orientação por imagem. Se encontrar resistência, NÃO use força excessiva para avançar ou retirar o Fio de RF *SupraCross* ou o Dilatador.
- Não tente fornecer energia de radiofrequência, antes de ter a confirmação de que a ponta ativa do Fio de RF *SupraCross* tem um bom contacto com o tecido-alvo.
- Não é aconselhável ultrapassar cinco (5) aplicações de energia de RF por cada Fio de RF *SupraCross*.
- Nunca desligue o Cabo Conector do Gerador de RF Baylis enquanto o Gerador estiver a fornecer energia de RF.
- Nunca desligue o Cabo Conector do Gerador de RF Baylis puxando pelo cabo. Se não desligar o cabo corretamente pode provocar danos no cabo.
- Não torça o Cabo Conector quando o inserir ou remover do Conector Isolado do Paciente no Gerador de RF Baylis. Torcer o cabo pode causar danos aos conectores de pinos.
- O Gerador de RF Baylis pode fornecer uma energia elétrica significativa. O manuseamento inadequado do Fio de RF *SupraCross* e/ou do eletrodo DIP pode causar lesões ao paciente e ao operador, sobretudo ao operar o dispositivo.
- Durante o fornecimento de energia, o paciente não deve entrar em contacto com superfícies metálicas no chão.
- Uma aparente saída de baixa potência ou a falha do equipamento em funcionar corretamente em configurações normais pode indicar uma aplicação errada do eletrodo DIP, uma falha numa ligação elétrica, ou um contacto deficiente entre o tecido e a ponta ativa. Verifique se existem defeitos óbvios no equipamento ou uma aplicação indevida. Tente posicionar melhor a ponta ativa do Fio de RF *SupraCross* contra o septo atrial. Aumente a potência apenas se a saída de baixa potência persistir.
- A Baylis Medical Company conta com o médico para determinar, avaliar e comunicar a cada paciente individual todos os riscos previsíveis do Sistema de Punção por Radiofrequência da Baylis Medical.

VI. ESPECIFICAÇÕES DO PRODUTO

Produto	Fio de RF <i>SupraCross</i>	Produto	Cabo Conector RFP 100A
Comprimento utilizável	180cm	Comprimento utilizável	10 pés/3 metros
Diâmetro externo	0,035" / 0,89 mm	Conector do gerador	4 pinos (1 pino)
Bobina de marcador	1 bobina de 30 mm Proximal do eletrodo	Conector do dispositivo	Botão de pressão

VII. EVENTOS ADVERSOS

Os eventos adversos que podem ocorrer durante a criação de um defeito do septo atrial incluem:

Tamponamento	Sépsis/infecção	Episódios tromboembólicos
Perfuração do vaso	Fibrilação auricular	Enfarte do miocárdio
Espasmo do vaso	Arritmias sustentadas	Fibrilação auricular
Hemorragia	Trombose vascular	Perfuração do miocárdio
Hematoma	Reação alérgica ao meio de contraste	Taquicardia ventricular
Dor e sensibilidade	Fístula arteriovenosa	

VIII. EQUIPAMENTO NECESSÁRIO

Os procedimentos de radiofrequência transeptal devem ser realizados numa clínica especializada, equipada com uma unidade de fluoroscopia, mesa radiográfica, equipamento de imagem para ecocardiografia, gravador fisiológico, equipamento de emergência e instrumentação para obter acesso vascular. Os materiais acessórios necessários para executar este procedimento incluem:

- Gerador de Punção por Radiofrequência Baylis (RFP-100A)
- Kit de Bainha/Dilatador transeptal de 0,035" compatível
- Os eletrodos indiferentes de placa (dispersivos) descartáveis (DIP) devem igualar ou exceder os requisitos da norma IEC 60601-2-2 para eletrodos de electrocirurgia

IX. INSPEÇÃO ANTES DA UTILIZAÇÃO

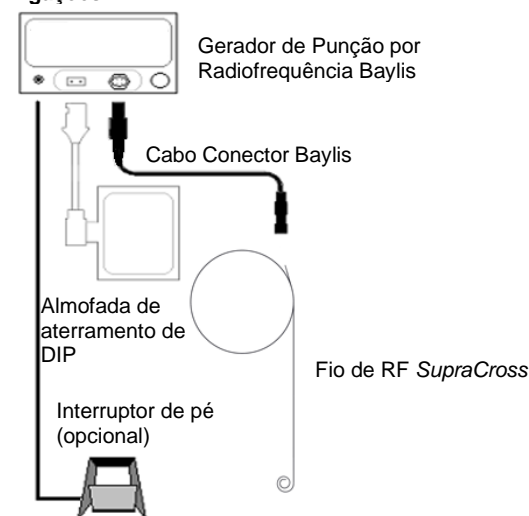
Antes de realizar o procedimento, os componentes individuais, incluindo o Gerador de Punção por Radiofrequência Baylis, o Fio de RF *SupraCross* e o Cabo Conector Baylis (Cabo Conector) devem ser examinados cuidadosamente para verificar se não têm danos ou defeitos, tal como também o devem ser todos os equipamentos utilizados no procedimento. Não utilize o equipamento caso apresente qualquer defeito. Não reutilize o Fio de RF e/ou o Cabo Conector.

X. INSTRUÇÕES DE UTILIZAÇÃO

- Todas as instruções para o equipamento necessário devem ser cuidadosamente lidas, compreendidas e seguidas. A não observância das instruções pode resultar em complicações.
- O Fio de RF *SupraCross* e o Cabo Conector Baylis (Cabo Conector) são fornecidos estéreis. Utilize uma técnica asséptica ao abrir a embalagem e ao manipular o produto no campo estéril.
- Ligue a extremidade do conector do gerador do Cabo Conector à porta do conector isolado do paciente no Gerador de RF de Punção por Radiofrequência Baylis (Gerador de RF Baylis) conforme as instruções de utilização do Gerador de RF Baylis. Delicadamente, alinhe os pinos do conector com a tomada e empurre até o conector se encaixar firmemente na tomada. Qualquer tentativa de ligar o cabo de outra forma irá danificar os pinos no conector.
- Não use força excessiva ao ligar o Cabo Conector ao Gerador de RF Baylis. O uso de força excessiva pode causar danos nos pinos do conector.
- Lave minuciosamente o Dilatador Transeptal (não fornecido).
- Efetue uma punção normal da veia no local de acesso desejado usando uma agulha de acesso (não fornecida).
- Geralmente, são inseridos uma Bainha Transeptal e um Dilatador através do local de acesso que, em seguida, são avançados sobre um fio-guia que deve ser posicionado na veia cava superior (VCS) sob orientação fluoroscópica.
- Retire o fio-guia.
- Usando o alisador de ponta fornecido, endireite a curva distal do Fio de RF *SupraCross*.

- Introduza a ponta do Fio de RF *SupraCross* no dilatador e avance o fio através do conjunto de dilatador/bainha até que a ponta do fio fique apenas um pouco dentro da ponta do dilatador.
- Segure com firmeza a extremidade do conector de cateter do Cabo Conector numa mão. Usando o polegar aperte o botão vermelho na parte superior do conector. Lentamente, insira a extremidade proximal do Fio de RF *SupraCross* na abertura do conector do cateter. Logo que a parte exposta da extremidade proximal do dispositivo deixe de estar visível, solte o botão vermelho no conector. Puxe suavemente o dispositivo para garantir que tem uma ligação segura.
- Posicione o conjunto do fio/bainha/dilatador na aurícula direita contra a fossa oval sob orientação fluoroscópica, usando a técnica normal. Também é recomendada a orientação por ecocardiografia.
- Aplique pressão no dilatador para tapar o septo na fossa oval.
- Avance o Fio de RF *SupraCross* de modo a que a ponta ativa esteja a envolver o septo na fossa oval, mas ainda dentro do dilatador.
- Depois de alcançado um posicionamento adequado, forneça energia de RF através do Gerador de RF Baylis à ponta ativa. Isto resulta na punção do tecido cardíaco alvo. Por favor, consulte as Instruções de Utilização do Gerador de RF Baylis para informações sobre a operação correta do gerador.
- Aplique pressão firme ao Fio de RF *SupraCross* durante a aplicação de energia de RF para avançar com sucesso o Fio de RF *SupraCross* através do tecido.
- **NOTA: para unidades de Gerador de RF Baylis, use as configurações de RF mais baixas adequadas para alcançar a punção desejada.**
 - Para o RFP-100A: Foi demonstrado ser suficiente para punção bem-sucedida uma configuração inicial de RF entre um (1) segundo em modo de "IMPULSO" e dois (2) segundos em modo "CONSTANTE".
- O fornecimento de potência de radiofrequência pode ser interrompido pressionando o botão de Ligar/Desligar RF no Gerador, se o temporizador ainda não tiver expirado.
- A entrada para a aurícula esquerda pode ser confirmada monitorizando o Fio de RF *SupraCross* através de fluoroscopia. Também é recomendada a orientação por ecocardiografia.
- Se a punção septal não for bem-sucedida após cinco (5) aplicações de energia de RF, é aconselhável que o utilizador utilize um método alternativo para o procedimento.
- Quando a punção for concluída com êxito, o Fio de RF *SupraCross* deve ser avançado mecanicamente sem qualquer energia de RF. O posicionamento na aurícula esquerda é suficiente quando a curva distal completa já cruzou o septo e pode ser observada sob fluoroscopia na aurícula esquerda. Também é recomendada a orientação por ecocardiografia.
- O Dilatador Transeptal pode então ser avançado sobre o fio para ampliar a punção.
- Para desligar o Fio de RF *SupraCross* do Cabo Conector, prima o botão vermelho no conector do cateter e remova cuidadosamente a extremidade proximal do Fio de RF do cabo conector.
- Para desligar o Cabo Conector do Gerador de RF Baylis, segure o conector firmemente e, delicadamente, puxe-o para fora da tomada.
- Retraia o Fio de RF *SupraCross* lentamente através do conjunto da Bainha Transeptal/Dilatador.

Ligações



XI. INSTRUÇÕES DE LIMPEZA E ESTERILIZAÇÃO

O Fio de RF *SupraCross* e o Cabo Conector Baylis destinam-se a uma única utilização. Não limpe nem volte a esterilizar o Fio de RF *SupraCross* e/ou o Cabo Conector Baylis.

XII. RESOLUÇÃO DE PROBLEMAS

A tabela seguinte é fornecida para ajudar o utilizador a diagnosticar problemas potenciais.

PROBLEMA	COMENTÁRIOS	RESOLUÇÃO DE PROBLEMAS
O Cabo Conector Baylis não se encaixa no Conector Isolado do Paciente no painel frontal do gerador	Os conectores são projetados para serem ligados de uma forma específica, por razões de segurança. Se as "cavilhas" do conector estiverem desalinhas, os conectores não se encaixam.	Verifique se as cavilhas do conector estão alinhadas na orientação adequada.
Mensagens de Erro do Gerador	A fim de perfurar o tecido com sucesso, utilizando energia de radiofrequência, todos os dispositivos devem estar ligados corretamente e em bom estado de funcionamento.	Certifique-se de que todas as ligações estão feitas: <ul style="list-style-type: none"> - Fio de RF <i>SupraCross</i> ao Cabo Conector - Cabo Conector ao Gerador de RF Baylis - Gerador de RF Baylis à tomada de alimentação - Gerador de RF Baylis à almofada de aterramento Inspeção visualmente o fio de RF <i>SupraCross</i> e o Cabo Conector para verificar que não têm danos. Dête fora imediatamente qualquer equipamento danificado. Se o problema persistir interrompa o uso. Para mensagens de erro encontradas durante a tentativa de punção por radiofrequência, consulte o documento das Instruções de Utilização que acompanha o Gerador de RF Baylis.
Fio quebrado ou dobrado	Quebras e torções no Fio de RF <i>SupraCross</i> são uma causa potencial de lesão do paciente.	Dête fora imediatamente.

XIII. INFORMAÇÕES DE ASSISTÊNCIA AO CLIENTE E DEVOLUÇÃO DE PRODUTOS

Se tiver quaisquer problemas com equipamentos médicos Baylis ou dúvidas a esclarecer, entre em contacto com o nosso pessoal de assistência técnica no seguinte endereço e/ou número de telefone.

Baylis Medical Company Inc.
 5959 Trans-Canada Highway
 Montreal, Quebec, Canadá, H4T 1A1
 Telefone: (514) 488-9801 ou (800) 850-9801
 Fax: (514) 488-7209
 www.baylismedical.com

NOTAS:

1. Para devolver os produtos deve ter um número de autorização de devolução antes de enviar os produtos para a Baylis Medical Company. Nessa ocasião ser-lhe-ão fornecidas as instruções de devolução do produto.
2. Certifique-se de que qualquer produto que esteja a ser devolvido à Baylis Medical foi limpo, descontaminado e/ou esterilizado, como indicado nas Instruções de Devolução de Produto antes de o devolver para obter assistência dentro da garantia. A Baylis Medical não aceitará qualquer peça de equipamentos usados que não tenha sido devidamente limpa ou descontaminada conforme as Instruções de Devolução de Produto.

XIV. RÓTULOS E SÍMBOLOS

	Manter Seco		Usar até
	Fabricante		Não utilizar se a embalagem estiver danificada.
	Número de Lote		Cuidado
	Número de Modelo		Manter afastado da luz solar direta
	Não voltar a esterilizar		Não pirogénico
	Não reutilizar		Seguir as Instruções de Utilização.
	Esterilizado com óxido de etileno		
	Cuidado: A Lei Federal (EUA) restringe a venda deste dispositivo que só pode ser vendido por um médico ou sob encomenda deste.		
	Apenas para Estados-Membros da UE: A utilização deste símbolo indica que o produto deve ser eliminado de uma forma que esteja em conformidade com os regulamentos locais e nacionais. Para perguntas sobre a reciclagem deste dispositivo, por favor, contacte o seu distribuidor.		