

Instructions for Use

Nykanen Radiofrequency Wire Kit

[English	1]
[Français.....	3]
[Deutsch	6]
[Italiano.....	9]
[Español	11]
[Português.....	14]
[Čeština	16]
[Dutch	19]



Baylis Medical Company Inc.
5959 Trans-Canada Highway
Montreal, Quebec, Canada, H4T 1A1
Tel: (514) 488-9801/ (800) 850-9801
Fax: (514) 488-7209
www.baylismedical.com

© Copyright [Baylis Medical Company Inc., 2007-2021]

EU Authorized Representative:

Quality First International OÜ
Laki 30, 12915 Tallinn
Estonia
Telephone: +372 610 41 96
Email: enquiries@qualityfirstint.ee



The Baylis Medical Company logo and Nykanen Wire are trademarks and/or registered trademarks of Baylis Medical Company Inc. in the United States of America and/or other countries.

English

Carefully read all instructions prior to use. Observe all warnings and precautions noted in these instructions. Failure to do so may result in patient complications. Baylis Medical Company relies on the physician to determine, assess and communicate to each individual patient all foreseeable risks of the procedure.

I. DEVICE DESCRIPTION

The Nykanen Radiofrequency Wire Kit consists of the Nykanen Radiofrequency Wire and Baylis Single-Use Connector Cable (Connector Cable). The Connector Cable enables RF power to be delivered from the RF Generator to the Nykanen Radiofrequency Wire. The Nykanen Radiofrequency Wire delivers radiofrequency (RF) power in a monopolar mode between its distal electrode and a commercially available external Disposable Indifferent (Dispersive) Patch (DIP) Electrode, which is in compliance with IEC 60601-2-2:2017.

The Nykanen Wire is connected to the BMC Radiofrequency Puncture Generator via the BMC Catheter Connector Cable. The Connector Cable enables RF power to be delivered from the RF Generator to the Nykanen Radiofrequency Wire. Detailed information concerning the BMC Radiofrequency Puncture Generator is contained in a separate manual that accompanies the Generator (entitled "BMC Radiofrequency Puncture Generator Instructions for Use"). BMC Generators compatible with the Nykanen Radiofrequency Wire include the RFP-100 or RFP-100A.

The critical dimensions of the Nykanen Radiofrequency Wire can be found on the device label. The Teflon insulation on the wire body facilitates smooth advancement through guiding catheters, while the outer diameter is small enough to provide adequate spacing for injection of contrast solution through the guiding catheter. The distal portion of the Nykanen Radiofrequency Wire is flexible and the active tip is shaped to be atraumatic to the cardiac tissue unless RF energy is applied.

The dimensions for the Connector Cable can be found on the device label and in section VI "Product Specifications." The Connector Cable has a four-pin connector on one end that mates with the RFP-100A Generator and a connector at the other end, which mates with the Nykanen Radiofrequency Wire. The cable can accommodate a maximum allowable length of 3 meters.

II. INDICATIONS FOR USE

U.S.A.: The Nykanen Radiofrequency Wire is intended to cut and/or coagulate soft tissues.

Canada: The Nykanen Radiofrequency Wire is intended to create an atrial septal defect in the heart.

European Union (EU): The Nykanen Radiofrequency Wire is intended to create an atrial septal defect in the heart. The Nykanen Radiofrequency Wire is also intended to create a controlled perforation in heart tissue.

The intended use of the Connector Cable is to connect the RFP-100A Generator to separately cleared compatible RF devices.

III. CONTRAINDICATIONS

U.S.A.: The Nykanen Radiofrequency Wire is not recommended for use with any conditions that do not require cutting or coagulation of soft tissues.

Canada: The Nykanen Radiofrequency Wire is not recommended for use with any conditions that do not require the creation of an atrial septal defect.

EU: The Nykanen Radiofrequency Wire is not recommended for use with any conditions that do not require the creation of an atrial septal defect or a controlled perforation in heart tissue.

IV. WARNINGS

- The Nykanen Radiofrequency Wire is supplied STERILE using an ethylene oxide process. Do not use if the package is damaged.
- Laboratory staff and patients can undergo significant x-ray exposure during radiofrequency puncture procedures due to the continuous usage of fluoroscopic imaging. This exposure can result in acute radiation injury as well as increased risk for somatic and genetic effects. Therefore, adequate measures must be taken to minimize this exposure.
- The Nykanen Radiofrequency Wire and the Connector Cable is intended for single patient use only. Do not attempt to clean, sterilize and reuse these devices. Reuse can cause the patient injury and/or the communication of infectious disease(s) from one patient to another. Failure to do so may result in patient complications.
- Do not attempt to use the Nykanen Radiofrequency Wire with electrocautery devices.
- The Nykanen Radiofrequency Wire must be used with the Connector Cable included in the kit and the Baylis RFP-100A Generator. Attempts to use it with other RF Generators and connector wires can result in electrocution of the patient and/or operator.
- The Connector Cable must only be used with the BMC RFP-100A Generator and separately cleared compatible RF devices. Attempts to use it with other RF Generators and devices can result in electrocution of the patient and/or operator.
- The active tip of the Nykanen Radiofrequency Wire is fragile. Be careful not to damage the tip while handling the wire. If the tip becomes damaged discard the wire immediately.
- If the active tip of the wire becomes bent at any time during its use, dispose the wire immediately. Do not attempt to straighten the active tip.
- During RF output, implanted devices such as pacemakers may be affected. Qualified advice should be obtained as necessary, to minimize the risk from injury due to implanted device malfunction.
- The Nykanen Radiofrequency Wire is not intended for use with neonatal patients (less than one month of age). Do not attempt to treat neonatal patients with the wire.
- Individual patient anatomy and physician technique may require procedural variations.
- Inadvertent activation or movement of the activated electrode outside of the field of vision may result in injury to the patient.

V. PRECAUTIONS

- Do not attempt to use the Nykanen Radiofrequency Wire Kit or ancillary equipment before thoroughly reading the accompanying Instructions for Use.
- Radiofrequency puncture procedures should be performed only by physicians thoroughly trained in the techniques of radiofrequency powered puncture in a fully equipped catheterization laboratory.
- The sterile packaging should be visually inspected prior to use to detect any compromise. Ensure that the packaging has not been damaged. Do not use the equipment if the packaging has been compromised.
- Visually inspect the Nykanen Radiofrequency Wire and Connector prior to use to ensure there is no cracking or damage to the insulating material. Do not use the wire or cable if there is any damage.
- Do not use the Nykanen Radiofrequency Wire and Connector Cable after the "Use By" date indicated on the label.
- The Nykanen Radiofrequency Wire and Connector Cable is intended for use with only those devices listed in section VIII, "Equipment Required."
- Read and follow the manufacturer's instructions for use of the Disposable Indifferent (Dispersive) Patch (DIP) electrode. Always use DIP electrodes that meet or exceed IEC 60601-2-2:2017 requirements.
- Placement of the dispersive electrode on the thigh could be associated with higher impedance.
- In order to prevent the risk of ignition make sure that flammable material is not present in the room during RF power application.
- Take precautions to limit the effects that the electromagnetic interference (EMI) produced by the Generator may have on the performance of other equipment. Check the compatibility and safety of combinations of other physiological monitoring and electrical apparatus to be used on the patient in addition to the Generator.
- Adequate filtering must be used to allow continuous monitoring of the surface electrocardiogram (ECG) during radiofrequency power applications.
- Careful wire manipulation must be performed to avoid cardiac damage, or tamponade. Wire advancement should be done under fluoroscopic guidance. If resistance is encountered, DO NOT use excessive force to advance or withdraw the wire.
- Do not attempt to puncture until firm position of the active tip has been achieved against the atrial septum.
- Do not activate RF while tip is within a third party introducer, dilator or catheter.
- It is recommended not to exceed five (5) radiofrequency power applications per Nykanen Radiofrequency Wire.
- Do not bend the Nykanen Radiofrequency Wire and the Connector Cable. Excessive bending or kinking of the wire shaft or cable may damage the integrity of the wire or cause patient injury. Care must be taken when handling both devices.
- The RF Generator is capable of delivering significant electrical power. Patient or operator injury can result from improper handling of the wire and DIP electrode, particularly when operating the device.
- During power delivery, the patient should not be allowed to come in contact with ground metal surfaces.
- Apparent low power output or failure of the equipment to function properly at normal settings may indicate faulty application of the DIP electrode, failure to an electrical lead, or poor tissue contact at the active tip. Check for obvious equipment defects or misapplication. Attempt to better position the tip of the Nykanen Radiofrequency Wire against the atrial septum. Only increase the power if low power output persists.
- Do not attempt to insert and use the proximal end of the Nykanen Radiofrequency Wire as the active tip.
- The Nykanen Radiofrequency Wire and Connector Cable is rated for a maximum voltage of 400 rms.
- Never disconnect the Connector Cable from the RFP-100A Generator while the Generator is delivering RF power.
- Never disconnect the Connector Cable from the RFP-100A Generator by pulling on the cable. Failure to disconnect the cable properly may result in damage to the cable.
- Do not twist the RFP-100A Connector Cable (Single Use) while inserting or removing it from the Isolated Patient Connector on the Generator. Twisting the cable may result in damage to the pin connectors.

VI. PRODUCT SPECIFICATIONS

Model Number	RFX-BAY-OTW-10-SU
Overall Useable Length	10 feet (3m)
Generator Connector	4-pin
Device Connector	Push button

VII. ADVERSE EVENTS

Adverse events which may occur while using the Baylis Medical Radiofrequency Puncture System include:

Atrial Fibrillation (AF)	Ventricular Tachycardia (VT)
Atrial Flutter	Vessel Spasm
Atrial Tachycardia	Perforation and/or Cardiac Tamponade
Sustained Arrhythmia	Sepsis/Infection/Inflammation
Embolic Event	Pericardial/Pleural Effusion
Vessel Dissection/Puncture	Pain and Tenderness
Hemorrhage	Conduction/Heart Block
Hematoma	Pericarditis
Ventricular Fibrillation (VF)	Death
Cerebral Infarction	Myocardial Infarction
Tissue Burns	

VIII. INSPECTION PRIOR TO USE

Prior to use of the Baylis Medical Radiofrequency Puncture System, the individual components including the BMC Radiofrequency Puncture Generator, Nykanen Radiofrequency Wire, and the BMC Catheter Connector Cable should be carefully examined for damage or defects, as should all equipment used in the procedure. Inspect and ensure no exposed metal along the body of the device and between the proximal end and the push-button connector of the BMC catheter connector cable. Ensure connectors and the Connector Cable has no visible damage, such as discoloration, cracks, label fading, cable splice, or kinks. Do not use damaged equipment.

Inspect all connections before use. Do not use defective equipment. Do not reuse the Nykanen Radiofrequency Wire.

IX. EQUIPMENT REQUIRED

Intracardiac puncture procedures should be performed in a specialized clinical setting equipped with a fluoroscopy unit, radiographic table, physiologic recorder, emergency equipment and instrumentation for gaining vascular access. Ancillary materials required to perform cardiac puncture include:

- BMC Radiofrequency Puncture Generator
- Baylis Single-Use Connector Cable (RFX-BAY-OTW-10-SU for use with the RF Generator)
- BMC Catheter Connector Cable (Model RFP-101 for use with RFP-100 Generator or RFX-BAY-OTW-10-SU for use with RFP-100A Generator)
- Disposable Indifferent (dispersive) Patch (DIP) electrode that meets or exceeds IEC 60601-2-2:2017 :2017 requirements for electrosurgical electrodes, such as the Valley Labs Polyhesive Electrode #E7506.
- It is recommended to use Nykanen Radiofrequency Wire with Baylis Medical ProTrack™ Microcatheter (Model CIC 38-145).

X. SETTING UP THE SYSTEM

- Please refer to the BMC Radiofrequency Puncture Generator Instructions for Use. The Instructions for Use describe the steps to follow to connect the system, set parameters, and deliver radiofrequency power.
- All instructions for equipment required should be carefully read, understood, and followed. Failure to do so may result in complications.

XI. ATTACHING THE INDIFFERENT ELECTRODE

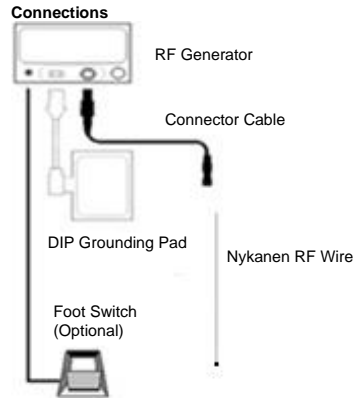
- Remove the Disposable Indifferent (dispersive) Patch (DIP) electrode from the packaging and peel off the backing to expose the conductive gel surface. Check to be sure the pad is moist and sticky to the touch before placing it on the patient. A dry electrode will have limited grounding capability.
- Place the DIP electrode on a well-vascularized convex skin surface which is in close proximity to the heart. Do not place this electrode on the thigh, since this location is associated with higher impedance (see section V, "Precautions"). Avoid scar tissue, body prominence, adipose tissue, and areas where fluid may pool. Shave, clean, and dry the application site as needed.
- Check to be sure that excellent contact has been achieved over the entire area of the DIP electrode. Burns can result when RF power is delivered to a DIP electrode with poor contact.
- Plug the DIP electrode connector into the appropriate port on the BMC RF Puncture Generator as per the Generator Instructions for Use. Make sure that the DIP electrode connector is firmly pressed into the socket.

XII. SUGGESTED DIRECTIONS FOR USE

The Nykanen Radiofrequency Wire is usually inserted into the femoral vein and is then positioned into the appropriate chamber of the heart under fluoroscopic guidance. Once appropriate positioning has been achieved, radiofrequency power is delivered via the BMC RF Puncture Generator. This results in the puncture of the targeted cardiac tissue.

- To prepare devices**
 - The Nykanen Radiofrequency Wire is supplied sterile. Use aseptic technique when opening the package and handling the product in the sterile field.
 - Prior to the insertion of the Nykanen Radiofrequency Wire, the usual premedication for cardiac catheterization is necessary.
 - The procedure can be done percutaneously via the femoral vein.
 - When the procedure is performed by the percutaneous technique, a guiding catheter is used to introduce the Nykanen Radiofrequency Wire into the heart to the puncture site.
 - Prior to the puncture procedure, both left and right atrial pressure should be recorded and systemic saturation determined.
 - The Nykanen Radiofrequency Wire is introduced into the right atrium with the location of the wire tip confirmed by fluoroscopic examination.
- To connect the cable and wire**
 - Connect the generator connector end of the cable to the isolated patient connector port on the RFP-100A Generator as per the Generator Instructions for Use. The Connector Cable uses a circular connector, keyed for proper alignment. Gently line up the connector pins with the socket and push in until the connector fits firmly into the socket. Any attempt to connect the cable otherwise will damage the pins on the connector.
 - Do not use excessive force in connecting the cable to the generator. Use of excessive force may result in damage to the connector pins.
 - Firmly grasp the Connector Cable end of the cable in one hand. Using your thumb depress the red button on the top of the connector. Slowly insert the proximal end of the Nykanen Radiofrequency Wire into the opening of the Connector Cable connector. Once the exposed portion of the proximal end of the wire is no longer visible release the red button on the connector. Gently tug on the device to ensure that you have a secure connection.
- To position wire**
 - Advance the Nykanen Radiofrequency Wire so that the active tip is extended beyond the tip of the catheter and is engaging the target tissue.

- Once appropriate positioning has been achieved, RF power can be delivered via the BMC RF Puncture Generator to the active tip. This results in the puncture of the targeted cardiac tissue.
- Please refer to the Generator Instructions for Use before using the Generator.
- NOTE: If the active tip of the Nykanen Radiofrequency Wire becomes bent at any time during its use, dispose of the wire immediately. Do not attempt to straighten the active tip.**
- To deliver RF power**
 - NOTE: It is recommended that the user use the least amount of energy to achieve the desired puncture.**
 - For RFP-100: A power setting of 10 watts has been experimentally determined to be sufficient for successful puncture. Do not use an initial power setting greater than 10 Watts.
 - For RFP-100A: An initial setting of one (1) second on "PULSE" mode is recommended. In subsequent punctures, the mode and time settings can be adjusted if necessary based on the physician's discretion. Do not attempt to puncture with an initial setting of greater than one (1) second on "PULSE" mode.
 - Firm pressure must be applied to the Nykanen Radiofrequency Wire during the procedure to successfully advance it through the tissue.
 - RF power delivery can be terminated by pressing the RF ON/OFF button on the Generator if the timer has not expired.
 - If septal puncture is not successful after five (5) RF power applications, it is advised that the user proceed with an alternate method for the procedure.
 - Once the initial puncture is successfully completed, the Nykanen Radiofrequency Wire should be advanced forward mechanically without any radiofrequency power.
 - Entry into the left atrium can be confirmed by monitoring the Nykanen Radiofrequency Wire under fluoroscopy. Once the guiding catheter has been advanced over the Nykanen Radiofrequency Wire, a small injection of contrast medium will indicate that the guiding catheter is now in the left atrium.
 - The Nykanen Radiofrequency Wire can now be removed from the patient. The puncture should then be enlarged by any appropriate, approved dilation methods. The appropriate user instructions supplied with these different devices should be followed.
- To disconnect devices**
 - To disconnect the Nykanen Radiofrequency Wire from the Connector Cable, depress the red button on the connector and gently remove the proximal end of the Nykanen Radiofrequency Wire from the connector cable.
 - To disconnect the Connector Cable from the RFP-100A Generator, grasp the connector firmly and gently pull it straight out of the socket.



XIII. CLEANING AND STERILIZATION INSTRUCTIONS

The Nykanen Radiofrequency Wire is single use and supplied sterile. Do not clean or re-sterilize the device. The devices can be considered sterile only if the package is not opened or damaged prior to use.

XIV. DISPOSAL OF WASTE

Treat used Nykanen Radiofrequency Wire as biohazard and dispose of in compliance with standard hospital procedures.

XV. CUSTOMER SERVICE AND PRODUCT RETURN INFORMATION

If you have any problems with or questions about Baylis Medical Equipment contact our technical support personnel.

Baylis Medical Company Inc.
 5959 Trans-Canada Highway
 Montreal, Quebec, Canada, H4T 1A1
 Phone: (514) 488-9801 or (800) 850-9801
 Fax: (514) 488-7209
 www.baylismedical.com

NOTES:

- In order to return products you must have a return authorization number before shipping the products back to Baylis Medical Company. Product Return Instructions will be provided to you at this time.
- Ensure that any product being returned to Baylis Medical has been cleaned, decontaminated and/or sterilized as indicated in the Product Return Instruction before returning it for warranted service. Baylis Medical will not accept any piece of used equipment that has not been properly cleaned or decontaminated as per the Product Return Instructions.

XVI. TROUBLESHOOTING

The following table is provided to assist the user in diagnosing potential problems.

PROBLEM	COMMENTS	TROUBLESHOOTING
Generator Alert/Error Messages	In order to successfully puncture tissue using radiofrequency energy, the entire system must be connected and all devices must be in good working order.	Ensure that all connections are made: - Nykanen RF Wire to Connector Cable - Connector Cable to Generator - Generator to power outlet - Generator to grounding pad Visually inspect the Nykanen RF Wire and Connector Cable for damage. Immediately discard any damaged equipment. If the problem persists discontinue use. For error/alert messages encountered while attempting puncture, refer to manual that accompanies the RF Generator.
Connector Cable does not fit into the Isolated Patient Connector on the front panel of the Generator	The connectors are designed to connect in a specific way for safety reasons. If the connector "keys" are out of line, the connectors won't fit together	Check that the connector keys are lined up in the proper orientation. Ensure that the connectors are clean and unobstructed.

repaired, altered, or modified in any way and shall not apply to BMC products which have been improperly stored or improperly cleaned, installed, operated or maintained contrary to BMC's instructions.

DISCLAIMER AND EXCLUSION OF OTHER WARRANTIES

Baylis Medical Company Inc. (BMC) warrants its Disposable and Accessory products against defects in materials and workmanship. BMC warrants that sterile products will remain sterile for a period of time as shown on the label as long as the original package remains intact. Under this Limited Warranty, if any covered product is proved to be defective in materials or workmanship, BMC will replace or repair, in its absolute and sole discretion, any such product, less any charges to BMC for transportation and labor costs incidental to inspection, removal or restocking of product. The length of the warranty is: (i) for the Disposable products, the shelf life of the product, and (ii) for the Accessory products, 90 days from shipment date. This limited warranty applies only to new original factory delivered products that have been used for their normal and intended uses. BMC's Limited Warranty shall not apply to BMC products which have been resterilized, repaired, altered, or modified in any way and shall not apply to BMC products which have been improperly stored or improperly cleaned, installed, operated or maintained contrary to BMC's instructions.

LIMITATION OF LIABILITY FOR DAMAGES

THE LIMITED WARRANTY ABOVE IS THE SOLE WARRANTY PROVIDED BY SELLER. SELLER DISCLAIMS ALL OTHER WARRANTIES, WHETHER EXPRESS OR IMPLIED, INCLUDING ANY WARRANTY OF MERCHANTABILITY OR FITNESS FOR A PARTICULAR USE OR PURPOSE.

THE REMEDY SET FORTH HEREIN SHALL BE THE EXCLUSIVE REMEDY FOR ANY WARRANTY CLAIM, AND ADDITIONAL DAMAGES, INCLUDING CONSEQUENTIAL DAMAGES OR DAMAGES FOR BUSINESS INTERRUPTION OR LOSS OF PROFIT, REVENUE, MATERIALS, ANTICIPATED SAVINGS, DATA, CONTRACT, GOODWILL OR THE LIKE (WHETHER DIRECT OR INDIRECT IN NATURE) OR FOR ANY OTHER FORM OF INCIDENTAL, OR INDIRECT DAMAGES OF ANY KIND, SHALL NOT BE AVAILABLE. SELLER'S MAXIMUM CUMULATIVE LIABILITY RELATIVE TO ALL OTHER CLAIMS AND LIABILITIES, INCLUDING OBLIGATIONS UNDER ANY INDEMNITY, WHETHER OR NOT INSURED, WILL NOT EXCEED THE COST OF THE PRODUCT(S) GIVING RISE TO THE CLAIM OR LIABILITY. SELLER DISCLAIMS ALL LIABILITY RELATIVE TO GRATUITOUS INFORMATION OR ASSISTANCE PROVIDED BY, BUT NOT REQUIRED OF SELLER HEREUNDER. ANY ACTION AGAINST SELLER MUST BE BROUGHT WITHIN EIGHTEEN (18) MONTHS AFTER THE CAUSE OF ACTION ACCRUES. THESE DISCLAIMERS AND LIMITATIONS OF LIABILITY WILL APPLY REGARDLESS OF ANY OTHER CONTRARY PROVISION HEREOF AND REGARDLESS OF THE FORM OF ACTION, WHETHER IN CONTRACT, TORT (INCLUDING NEGLIGENCE AND STRICT LIABILITY) OR OTHERWISE, AND FURTHER WILL EXTEND TO THE BENEFIT OF SELLER'S VENDORS, APPOINTED DISTRIBUTORS AND OTHER AUTHORIZED RESELLERS AS THIRD-PARTY BENEFICIARIES. EACH PROVISION HEREOF WHICH PROVIDES FOR A LIMITATION OF LIABILITY, DISCLAIMER OF WARRANTY OR CONDITION OR EXCLUSION OF DAMAGES IS SEVERABLE AND INDEPENDENT OF ANY OTHER PROVISION AND IS TO BE ENFORCED AS SUCH.

IN ANY CLAIM OR LAWSUIT FOR DAMAGES ARISING FROM ALLEGED BREACH OF WARRANTY, BREACH OF CONTRACT, NEGLIGENCE, PRODUCT LIABILITY OR ANY OTHER LEGAL OR EQUITABLE THEORY, THE BUYER SPECIFICALLY AGREES THAT BMC SHALL NOT BE LIABLE FOR DAMAGES OR FOR LOSS OF PROFITS, WHETHER FROM BUYER OR BUYER'S CUSTOMERS. BMC'S LIABILITY SHALL BE LIMITED TO THE PURCHASE COST TO BUYER OF THE SPECIFIED GOODS SOLD BY BMC TO BUYER WHICH GIVE RISE TO THE CLAIM FOR LIABILITY.

No agent, employee or representative of Baylis Medical has the authority to bind the Company to any other warranty, affirmation or representation concerning the product.

This warranty is valid only to the original purchaser of Baylis Medical products directly from a Baylis Medical authorized agent. The original purchaser cannot transfer the warranty.

Use of any BMC product shall be deemed acceptance of the terms and conditions herein.

The warranty periods for Baylis Medical products are as follows:

Disposable Products	The shelf life of the product
Accessory Products	90 days from the shipment date

XVII. LABELING AND SYMBOLS

	Manufacturer
	EU Authorized Representative
	Sterile using ethylene oxide
	Use By
	Caution
	Follow Instructions for Use
	Model number
	Caution: Federal (U.S.A.) law restricts this device to sale by or on the order of a physician.
	Single Use – Do not reuse
	Do Not Resterilize
	Lot Number
	Do Not Use if Packaging is Damaged
	Keep Away From Sunlight
	Only for EU member states: Use of this symbol indicates that the product must be disposed of in a way that complies with local and national regulations. For questions regarding recycling of this device please contact your distributor
	Non-Pyrogenic
	Use with BMC RFP Generators Only
	Maximum of five (5) RF Power Applications

XVIII. LIMITED WARRANTIES

Baylis Medical Company Inc. (BMC) warrants its Disposable and Accessory products against defects in materials and workmanship. BMC warrants that sterile products will remain sterile for a period of time as shown on the label as long as the original package remains intact. Under this Limited Warranty, if any covered product is proved to be defective in materials or workmanship, BMC will replace or repair, in its absolute and sole discretion, any such product, less any charges to BMC for transportation and labor costs incidental to inspection, removal or restocking of product. The length of the warranty is: (i) for the Disposable products, the shelf life of the product, and (ii) for the Accessory products, 90 days from shipment date. This limited warranty applies only to new original factory delivered products that have been used for their normal and intended uses. BMC's Limited Warranty shall not apply to BMC products which have been resterilized,

Français

Lire attentivement toutes les directives avant l'utilisation. Respectez toutes les contre-indications, avertissements et précautions indiqués dans ces directives. Le non-respect risque de causer des complications pour le patient.

Baylis Medical Company laisse au médecin le soin de communiquer avec chaque patient afin de déterminer et d'évaluer tous les risques prévisibles associés à la procédure.

I. DESCRIPTION DU DISPOSITIF

Le kit de fil de ponction par radiofréquences Nykanen comporte un fil de ponction par radiofréquences Nykanen et un câble de connexion Baylis à usage unique (câble de connexion). Le Cathéter de Perforation par Radiofréquences Nykanen livre de l'énergie par radiofréquences (RF) d'une façon monopolaire entre son électrode distal et une électrode passive de retour (DIP) disponible commercialement, qui est en accord avec les normes IEC 60601-2-2:2017. Le Cathéter de Perforation par Radiofréquences Nykanen est branché au générateur de perforation par radiofréquences BMC via le Câble Connecteur pour Cathéter BMC. Le câble de connexion assure le transfert des radiofréquences entre le générateur RF et le fil de ponction par radiofréquences Nykanen. Des informations plus détaillées sur le Générateur BMC de perforation par radiofréquences sont incluses dans le manuel qui accompagne le générateur (intitulé "Générateur BMC de perforation par radiofréquences"). Générateurs compatibles avec le Cathéter de Perforation par Radiofréquences Nykanen comprennent la RFP-100 ou RFP-100A.

Les dimensions pour le Cathéter de Perforation par Radiofréquences Nykanen peuvent être trouvées sur l'étiquette du dispositif. L'isolant Teflon sur le cathéter facilite un avancement fluide dans les cathéters guides, tandis que le diamètre extérieur est assez petit pour fournir un espace adéquat pour la perfusion de solution de contraste via le cathéter guide. Aussi, la portion distale du Cathéter de Perforation par Radiofréquences Nykanen est flexible et le bout actif est spécialement conçu pour être atraumatique aux tissus cardiaques à moins que de l'énergie RF soit appliquée.

Les dimensions du câble de connexion sont reprises sur l'étiquette du dispositif et dans la section VI intitulée « Caractéristiques techniques ». Le câble de connexion est doté d'un côté d'un connecteur à quatre broches qui se branche sur le générateur RFP-100A et de l'autre, d'un connecteur qui s'accouple au fil de ponction par radiofréquences Nykanen. La longueur maximale autorisée du câble est de 3 mètres.

II. INDICATIONS D'UTILISATION

États-Unis: Le fil Nykanen Radiofrequency Wire sert à couper les tissus mous et(ou) à coaguler le sang de ces tissus.

Canada: Le Cathéter de Perforation par Radiofréquences Nykanen a été conçu pour créer une communication interauriculaire dans le cœur.

UE: Le Cathéter de Perforation par Radiofréquences Nykanen a été conçu pour créer une communication interauriculaire dans le cœur. Le Nykanen Radiofrequency Wire est aussi conçu pour effectuer une perforation contrôlée du tissu du cœur.

L'usage prévu du câble de connexion est l'établissement d'une connexion entre le générateur RFP-100A et des dispositifs RF distincts compatibles.

III. CONTRE-INDICATIONS

États-Unis: L'utilisation du fil Nykanen Radiofrequency Wire n'est pas recommandée chez les personnes qui présentent une affection ne nécessitant pas d'incision ni de coagulation de tissus mous.

Canada et l'UE: Le Cathéter de Perforation par Radiofréquences Nykanen n'est pas conseillé pour les conditions qui n'exigent pas la création d'une communication interauriculaire.

IV. AVERTISSEMENTS

- Le Cathéter de Perforation par Radiofréquences Nykanen est livré STÉRILE utilisant un procédé de stérilisation par l'oxyde d'éthylène. Ne pas utiliser si l'emballage est endommagé.
- Le personnel de laboratoire et les patients peuvent subir une exposition aux rayonnements considérable pendant les interventions de perforation par radiofréquences en raison de l'usage continu de la radioscopie. Cette exposition peut causer une blessure de rayonnement grave et augmenter le risque d'effets somatiques et génétiques. Des mesures appropriées doivent donc être prises pour réduire cette exposition au minimum.
- Le fil de ponction par radiofréquences et le câble de connexion sont prévus pour une utilisation unique. Ne pas tenter de nettoyer, stériliser et réutiliser ces dispositifs.
- Le Cathéter de Perforation par Radiofréquences Nykanen est conçu pour un usage simple sur un patient. N'essayez pas de stériliser et réutiliser le cathéter. La réutilisation peut causer des blessures au patient et/ou la transmission de maladies infectieuses entre patients. Car autrement, le patient pourrait être exposé à des complications.
- Le Cathéter de Perforation par Radiofréquences Nykanen doit seulement être utilisé avec le Câble Connecteur pour Cathéter BMC. L'utilisation du cathéter avec d'autres câbles connecteurs peut résulter en électrocution du patient et/ou de l'opérateur.
- Le câble de connexion doit être utilisé exclusivement avec le générateur RFP-100A de BMC et des dispositifs RF distincts compatibles. Toute tentative d'utilisation avec d'autres générateurs RF ou dispositifs pourrait provoquer l'électrocution du patient et/ou de l'opérateur.
- Le bout actif du Cathéter Nykanen est fragile. Prenez bien soin de ne pas endommager le bout en manipulant le cathéter. Si le bout devient endommagé, jetez le cathéter immédiatement.
- Si le bout actif du cathéter devient plié à n'importe quel temps durant son utilisation, jetez le cathéter immédiatement. Ne tentez pas de redresser le bout actif.
- Pour le RFP-100 : Ne tentez pas de perforer avec une puissance initiale supérieure à 10 Watts. La tentative initiale devrait être faite avec un réglage de 10 Watts. Dans les perforations subséquentes le réglage de la puissance peut être augmenté si nécessaire.
- La génération de radiofréquences peut avoir un impact sur les dispositifs implantés tels les stimulateurs cardiaques. Il convient d'obtenir un avis qualifié, le cas échéant, pour réduire le risque de blessure lié à un dysfonctionnement du dispositif implanté.
- L'anatomie de chaque patient et la technique du médecin peuvent imposer des variations dans la procédure.
- Le cathéter de perforation par RF n'est pas recommandé pour utilisation sur les patients néonataux (âgé de moins d'un mois). N'essayez pas de traiter des patients néonataux avec ce cathéter.
- L'activation accidentelle de l'électrode ou les mouvements de l'électrode activée en dehors du champ de vision pourraient blesser le patient.

V. PRÉCAUTIONS

- N'essayez pas d'utiliser le Cathéter de Perforation par Radiofréquences Nykanen ou autre dispositif avant d'avoir lu attentivement les directives d'utilisation qui accompagnent le dispositif.
- Les procédures de perforations par RF devraient seulement être exécutées par des médecins bien formés dans les techniques de perforation par RF dans un laboratoire de cathétérisme pleinement équipé.
- L'emballage stérile devrait être inspecté visuellement avant l'usage pour détecter des ruptures. Assurez vous que l'emballage ne soit pas endommagé. Ne pas utiliser le dispositif si l'emballage est endommagé.
- Le Cathéter de Perforation par Radiofréquences Nykanen devrait être inspecté visuellement, avant l'utilisation, pour s'assurer qu'il n'y ait pas de dommage ou de fissures dans la matière isolante. Ne pas utiliser le cathéter s'il y a des dommages.
- N'utilisez pas le Cathéter de Perforation par Radiofréquences Nykanen après la date d'expiration "Use By" indiquée sur l'emballage.
- Le Cathéter de Perforation par Radiofréquences Nykanen est conçu pour être utilisé seulement avec les dispositifs listés dans la section VIII "Équipement Requis."
- Lire et suivre les directives du fabricant qui s'appliquent à l'utilisation de l'électrode de DIP (Disponible Indifférent Dispersive Patch). N'utiliser que des électrodes de DIP qui satisfont ou surpassent les exigences des IEC 60601-2-2:2017.
- Le placement de l'électrode dispersive sur la cuisse peut produire une impédance plus élevée.
- Pour prévenir le danger d'inflammation, vérifier que des matériaux inflammables ne se trouvent pas dans la pièce où l'application de puissance RF a lieu.
- Prendre les précautions nécessaires pour limiter les effets possibles de l'interférence électromagnétique (EMI) du générateur sur la performance des autres dispositifs. Assurez vous de la compatibilité et de la sécurité d'autres appareils de monitoring physiologique et électrique qui seront utilisés sur le patient en même temps que le Générateur RF.
- Un filtrage adéquat doit être utilisé pour permettre le contrôle continu de l'électrocardiogramme de surface (ECG) pendant les applications de puissance radiofréquences.
- Une manipulation attentive du cathéter devrait être utilisée pour éviter des dommages cardiaques ou une tamponnade. L'avancement du cathéter devrait être fait sous guidance radioscopique. Si une résistance est rencontrée, N'UTILISÉZ PAS de force excessive pour avancer ou retirer le cathéter. N'essayez pas de perforer sans qu'un bon positionnement ferme du bout actif soit obtenu contre le septum interauriculaire.
- Ne pas activer le dispositif de RF alors que la pointe se trouve dans le cathéter d'une tierce partie (le cas échéant).
- Ne pas activer les radiofréquences alors que l'extrémité se trouve dans un introducteur, un dilateur ou un cathéter tiers.
- Il n'est pas recommandé d'exécuter cinq (5) applications de puissance par radiofréquences par Cathéter Nykanen.
- Ne pas plier le fil de ponction par radiofréquences ni le câble de connexion. Ne pliez pas le Cathéter de Perforation par Radiofréquences Nykanen. Le pliage ou le tortillement excessif du cathéter peut endommager le cathéter et peut causer des blessures au patient. Le cathéter doit être manipulé avec soins. Manipuler les deux dispositifs avec le plus grand soin.
- Le Générateur est capable de livrer une puissance électrique significative. Des blessures à l'opérateur ou au patient peuvent résulter d'une manipulation incorrecte du cathéter et de l'électrode DIP, particulièrement en opérant le dispositif.
- Le patient ne doit pas se trouver en contact avec des surfaces métalliques au sol pendant la transmission de courant.
- Une sortie de puissance faible ou le mauvais fonctionnement du dispositif en réglages normaux peut indiquer une application incorrecte de l'électrode du DIP, une panne de fil électrique ou un mauvais contact avec le tissu. Assurez vous qu'il n'y ait pas de défauts évidents ou d'application incorrecte. Tentez de mieux positionner le bout

du cathéter Nykanen contre le septum interauriculaire. Augmentez la puissance seulement si la sortie d'une puissance faible persiste.

- Inspectez et testez régulièrement les câbles et accessoires réutilisables.
- Ne pas tenter d'introduire et d'utiliser l'extrémité proximale du fil de ponction par radiofréquences en tant qu'extrémité active.
- La compagnie Baylis Médical se fie sur le médecin pour déterminer, évaluer et communiquer à chaque patient tout les risques potentiels du système de perforation par radiofréquences de Baylis Médical.
- Le fil de ponction par radiofréquences Nykanen et le câble de connexion pour cathéter BMC sont compatibles avec une valeur efficace nominale de tension de 400 rms.
- Ne pas tenter d'introduire et d'utiliser l'extrémité distale du fil de ponction par radiofréquences Nykanen en tant qu'extrémité active.
- Le fil de ponction par radiofréquences Nykanen et le câble de connexion sont compatibles avec une tension nominale maximale de 400 rms. Ne jamais débrancher le câble de connexion du générateur RFP-100A alors que celui-ci génère des radiofréquences.
- Ne jamais débrancher le câble de connexion du générateur RFP-100A en tirant sur le câble. Tout débranchement inadéquat du câble pourrait endommager celui-ci.
- Ne pas tordre le câble de connexion RFP-100A (usage unique) au moment de l'introduire dans le connecteur isolé du patient sur le générateur ou de le retirer. La torsion du câble pourrait endommager les connecteurs de la broche.
- Il est déconseillé d'utiliser le câble de connexion avec tout autre générateur RF ou tout autre dispositif.

VI. PRODUCT SPECIFICATIONS

Numéro de modèle	RFX-BAY-OTW-10-SU
Longueur utilisable totale	10 pi (3m)
Connecteur pour le générateur	4 broches
Connecteur pour le dispositif	Bouton-poussoir

VII. EFFETS INDÉSIRABLES

Les effets indésirables qui peuvent se produire en utilisant le système de perforation par radiofréquences de Baylis Médical incluent :

Fibrillation auriculaire	Tachycardie Ventriculaire
Flutter auriculaire	Ponction du myocarde
Infarctus du myocarde	Tamponnade
Décès	Spasme vasculaire
Tachycardie atriale	Embolie
Dissection/perforation artérielle	Douleur et sensibilité
Épanchement péricardique/pleural	Hémorragie
Hématome	Sepsis/Infection/Inflammation
Trouble de la conduction cardiaque	Péricardite
Fibrillation ventriculaire (FV)	Infarctus cérébral
Brûlures de tissus	Arrythmies soutenues
Perforation et/ou tamponnade cardiaque	

VIII. INSPECTION AVANT L'UTILISATION

Avant l'utilisation du Système de Perforation par Radiofréquences de Baylis Médical, toutes les composantes incluant le Générateur BMC de perforation par radiofréquences, le Cathéter de Perforation par Radiofréquences Nykanen, et le Câble Connecteur pour Cathéter BMC doivent être examinés pour des défauts ou des dommages, comme chaque pièce d'équipement utilisé dans la procédure. N'utilisez pas des équipements défectueux. S'assurer que les connecteurs et le câble n'affichent aucune détérioration physique telle qu'une décoloration, des fissures, une décoloration de l'étiquette, une épaisseur de câbles ou des nœuds. Ne pas utiliser du matériel endommagé. Ne réutilisez pas le Cathéter de Perforation par Radiofréquences Nykanen.

IX. ÉQUIPEMENT REQUIS

Les procédures de perforation intracardiaques devraient être exécutées dans un laboratoire spécialisé équipé d'une machine de radioscopie, d'une table radiographique, d'un enregistreur physiologique, d'un équipement d'urgence et d'instrumentation pour préparer un accès vasculaire. D'autres matériaux requis pour exécuter des procédures de perforations cardiaques incluent :

- Générateur BMC de perforation par radiofréquences
- Câble Connecteur pour Cathéter BMC (Modèle RFP-101 pour une utilisation avec RFP-100 Générateur ou RFX-BAY-OTW-10-SU pour une utilisation avec RFP-100A Générateur).
- Électrode DIP (Disponible Indifférent Dispersive Patch) qui satisfait ou surpasse les exigences des normes IEC 60601-2-2:2017 pour les électrodes chirurgicales, comme le Valley Labs Polyhesive Electrode #E7506.
- Il est recommandé d'utiliser le Nykanen Radiofrequency Wire avec le ProTrack™ Microcathète de Baylis Médicale (modèle CIC 38-145).

X. INSTALLATION DU SYSTÈME

- Référez vous aux Directives D'Utilisation Générateur BMC de perforation par radiofréquences. Les Directives D'Utilisations décrivent les étapes à suivre pour connecter le système, régler les paramètres, et livrer la puissance RF.
- Toutes les instructions sur l'équipement requis devraient être lues, comprises et suivies. Si ceci n'est pas fait des complications peuvent se produire.

XI. BRANCHEMENT DE L'ÉLECTRODE DE RETOUR

- Retirez l'électrode de retour (DIP) de son emballage et détachez le papier protecteur pour exposer la surface de gel conducteur. Assurez vous que le gel est humide et collant à la touche avant de le placer sur patient. Une électrode sèche aura une capacité de mise à la terre limitée.
- Placez l'électrode DIP sur une surface de peau convexe bien vascularisée qui est à proximité du cœur. Ne pas placer cette électrode sur la cuisse, cet endroit étant associé à une impédance plus élevée (référez vous à la section 5 "Précautions"). Éviter les tissus cicatrisés, les proéminences osseuses, les tissus adipeux et toutes zones susceptibles de retenir les liquides. Rasez, nettoyez et séchez la zone d'application si nécessaire.
- Assurez vous que toute la surface du DIP possède un bon contact avec la peau. Des brûlures peuvent résulter si de la puissance RF est livrée sans que le DIP ait un bon contact.
- Branchez l'électrode DIP dans le port approprié du Générateur BMC de perforation par radiofréquences en suivant ces Directives D'Utilisation. Assurez vous que la prise de l'électrode DIP est fermement insérée dans le port.

XII. DIRECTIVES D'UTILISATION

Le Cathéter de Perforation par Radiofréquences Nykanen est normalement inséré dans la veine fémorale et est positionné dans la chambre du cœur appropriée sous une guidance radioscopique. Une fois qu'un bon positionnement est acquis, la puissance RF est livrée via le Générateur BMC de perforation par radiofréquences. Ceci résulte dans une ponction du tissu cardiaque ciblé.

Pour préparer les dispositifs

- Le Cathéter de Perforation par Radiofréquences Nykanen est livré stérile. Enlevez le cathéter du sachet et manipulez le en utilisant une technique stérile.
- Avant l'introduction du Cathéter de Perforation par Radiofréquences Nykanen, la prémédication normale pour la cathétérisme cardiaque est nécessaire.
- La procédure peut être faite d'une façon percutanée via la veine fémorale.

- Quand la procédure est exécutée en utilisant une technique percutanée, un cathéter guide est utilisé pour introduire le Cathéter de Perforation par Radiofréquences Nykanen dans le cœur jusqu'au site de perforation.
- Avant la procédure de perforation, les pressions auriculaires droite et gauche devraient être enregistrées et la saturation systémique déterminée.
- Le Cathéter de Perforation par Radiofréquences Nykanen est introduit dans l'oreillette droite en confirmant la localisation du bout du cathéter en examinant la radioscopie.

Pour connecter le câble et le fil

- Brancher l'extrémité du câble destinée au générateur au port de connexion isolé du patient se trouvant sur le générateur RFP-100A, conformément au mode d'emploi du générateur. Le câble de connexion est muni d'un connecteur circulaire de forme particulière permettant un bon alignement. Aligner délicatement les broches du connecteur avec la prise et l'enfoncer jusqu'à ce qu'il soit fermement en place. Toute tentative de raccordement du câble par une autre méthode endommagera les broches du connecteur.
- Ne pas appliquer de force excessive lors du raccordement du câble au générateur. Cela pourrait endommager les broches.
- Saisir fermement d'une main l'extrémité du câble présentant le connecteur. À l'aide du pouce, enfoncer le bouton rouge se trouvant sur le haut du connecteur. Insérer doucement l'extrémité proximale du fil de ponction RF dans l'ouverture du connecteur du câble de connexion. Lorsque la partie exposée de l'extrémité proximale du dispositif n'est plus visible, relâcher le bouton rouge du connecteur. Tirer doucement sur le dispositif pour s'assurer que celui-ci est bien fixé.
- Pour déconnecter le fil de ponction par radiofréquences Nykanen du câble de connexion, enfoncer le bouton rouge du connecteur et retirer délicatement l'extrémité proximale du dispositif de ponction du câble de connexion.
- Pour déconnecter le câble du générateur RFP-100A, saisir fermement le connecteur et le tirer doucement pour le sortir de la fiche.

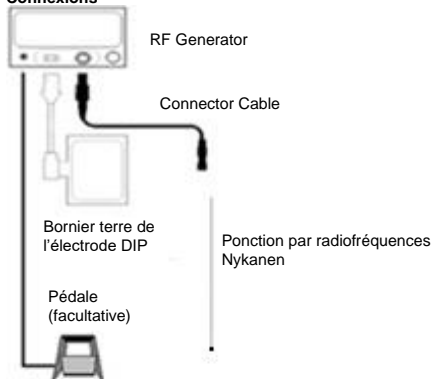
Pour positionner le fil

- Faire avancer le Nykanen Wire jusqu'à ce que la pointe dépasse de l'embout du cathéter et atteigne le tissu ciblé. Une fois qu'un bon positionnement est établi, la puissance RF peut être livrée via le Générateur BMC de perforation par radiofréquences au bout actif. Ceci résulte en perforation du tissu cardiaque ciblé. Assurez vous de bien suivre les Directives D'utilisation qui accompagnent le Générateur avant d'utiliser le Générateur.
- **REMARQUE : Si le bout actif du cathéter Nykanen devient plié à n'importe quel temps durant son utilisation, jetez le cathéter immédiatement. Ne tentez pas de redresser le bout actif.**

Pour livrer la puissance RF

- **REMARQUE : On recommande à l'utilisateur de se servir d'une quantité minimale d'énergie pour réaliser une ponction**
- Pour le générateur RFP-100: Dans le cadre des essais, le réglage à 10 watts s'est révélé suffisant pour effectuer une ponction. Ne réglez pas la radiofréquence initiale à plus de 10 watts.
- Pour le générateur RFP-100A : Un réglage de la radiofréquence initiale à une (1) seconde au mode « PULSE » est recommandé. Pour les ponctions ultérieures, le réglage du mode et du temps peut être ajusté au besoin, à la discrétion du médecin. N'essayez pas d'effectuer une ponction avec un réglage de la radiofréquence initiale supérieur à celui du mode « PULSE » pendant une (1) seconde.
- Appliquez une pression ferme au Cathéter Nykanen durant la procédure pour l'avancer à travers le tissu avec succès.
- L'application de la puissance RF peut être arrêtée en appuyant sur le bouton MARCHE/ARRÊT sur le Générateur si la minuterie est encore active.
- Si la perforation du septum n'est pas réussie après cinq (5) applications de puissance RF, il est recommandé que l'utilisateur procède avec une méthode alternative pour compléter la procédure.
- Une fois que la perforation initiale est réussie, le Cathéter Nykanen devrait être avancé sans l'utilisation de puissance RF.
- L'entrée dans l'oreillette gauche peut être confirmée en surveillant le Cathéter Nykanen sous la radioscopie. Une fois que le cathéter guide a été avancé sur le Cathéter Nykanen on peut injecter une petite quantité de médium de contraste qui indiquera que le cathéter guide est maintenant dans l'oreillette gauche.
- Le Cathéter Nykanen peut maintenant être retiré du patient. La perforation devrait maintenant être agrandie par une méthode de dilatation appropriée et approuvée. Les Directives D'utilisation pertinentes qui accompagnent ces dispositifs devraient être suivies.

Connexions



XIII. NETTOYAGE ET STERILISATION

Le fil de ponction par radiofréquences Nykanen est un dispositif à usage unique. Il est livré stérile. Ne pas nettoyer ou stériliser à nouveau le dispositif. Ces dispositifs sont considérés stériles uniquement si l'emballage n'a pas été ouvert ou endommagé avant l'utilisation.

XIV. ÉLIMINATION DES DÉCHETS

Traiter chaque fil de ponction par radiofréquences Nykanen usé comme un objet présentant un biorisque et le mettre au rebut conformément aux procédures standard de l'hôpital.

XV. SERVICE À LA CLIENTÈLE ET INFORMATION SUR LE RETOUR DES PRODUITS

Si vous avez des problèmes ou des questions concernant des produits de Baylis Médical communiquez avec notre équipe de support technique.

Baylis Medical Company Inc.
 5959 Trans-Canada Highway
 Montreal, Quebec, Canada, H4T 1A1

REMARQUES:

1. Pour retourner un produit il vous faut un numéro d'autorisation de retour avant de l'expédier à la compagnie Baylis Médical. Les directives concernant le retour de produits vous seront communiquées à ce moment-là.

Baylis Médical n'acceptera aucune pièce d'équipement sans un certificat de stérilisation. Assurez vous que tout produit retourné à Baylis Médical a été





XVI. DÉPANNAGE

Le tableau suivant est fourni pour aider l'utilisateur à diagnostiquer des problèmes possibles.

PROBLÈME	COMMENTAIRES	DÉPANNAGE
Messages d'erreur du générateur	Pour pouvoir faire des ponctions par RF, toutes les parties du système doivent être branchées et tous les dispositifs doivent fonctionner correctement.	S'assurer que toutes les connexions suivantes sont faites : - l'aiguille doit être branchée au câble de raccord; - le câble de raccord doit être branché au générateur; - le générateur doit être branché à une prise de courant; - le générateur doit également être branché à un tapis de mise à la terre. Inspecter visuellement l'aiguille et le câble de raccord pour y déceler tout signe de dommage. Jeter immédiatement tout équipement endommagé. Si le problème persiste, cesser la procédure. Pour les messages d'erreur survenant durant une ponction par RF, se référer au manuel de l'opérateur accompagnant le générateur.
Indications de pression inexacts	Pour pouvoir surveiller correctement la pression, toutes les parties du système doivent être branchées et tous les dispositifs doivent fonctionner correctement.	S'assurer que toutes les connexions suivantes sont faites : - l'aiguille doit être branchée au transducteur de pression; - le transducteur de pression doit être branché au dispositif de surveillance. • S'assurer que le transducteur est étalonné à zéro. • S'assurer que le transducteur est au niveau de l'axe phlébotatique. • Faire un test « de rinçage rapide » pour évaluer la réponse dynamique. • Inspecter visuellement l'aiguille pour y déceler tout signe de dommage. Si l'aiguille est brisée ou tordue, la jeter immédiatement.
L'aiguille se brise ou se tord.	Une aiguille brisée ou tordue peut causer des blessures au patient.	Jeter immédiatement.

XVII. ÉTIQUETAGE ET SYMBOLES

	Fabricant
	Représentant autorisé dans la Communauté européenne
	Stérile; méthode de stérilisation : oxyde d'éthylène
	Utilisé avant le
	Avertissement
	Suivez les instructions d'utilisation
	Numéro de catalogue
Rx ONLY	En vertu de la réglementation fédérale des États-Unis, ce système ne peut être vendu que par un médecin ou que sur ordonnance d'un médecin.
	Usage unique
	Ne pas restériliser
	Numéro de lot

	Ne pas utiliser si l'emballage est endommagé
	Tenir loin de la lumière du soleil
	Pour les états membres de l'UE seulement: Ce symbole indique que le produit doit être jeté conformément aux lois régionales et nationales. Pour toute question concernant le recyclage de ce dispositif, veuillez communiquer avec le distributeur
	Non-pyrogène
USE WITH: BMC RFP GENERATORS ONLY	À utiliser exclusivement avec des générateurs RFP produits par BMC
POWER APPLICATIONS x5 MAX	Cinq (5) applications d'énergie RF maximum

VIII. GARANTIE LIMITÉE – Dispositifs jetables et accessoires

Baylis Medical Company Inc. (BMC) garantit ses produits jetables et accessoires contre tout défaut de matériel et de fabrication. BMC garantit que les produits stériles resteront stériles pendant la période indiquée sur l'étiquette, tant que l'emballage original demeure intact. En vertu de cette garantie limitée, si un produit couvert comporte un défaut de matériel ou de fabrication, BMC le remplacera ou le réparera, à sa seule et entière discrétion, moins les frais de transport et de main-d'œuvre encourus par BMC pour l'inspection, le retrait ou la reconstitution des stocks de ce produit. La durée de la garantie est de : (i) la durée de vie du produit, dans le cas des produits jetables, et (ii) 90 jours à partir de la date d'envoi, pour les accessoires.

Cette garantie limitée ne s'applique qu'aux nouveaux produits originaux provenant directement de l'usine et qui ont été utilisés de la façon normale prévue. La garantie limitée de BMC ne s'applique pas aux produits de BMC qui ont été restérilisés, réparés, altérés ou modifiés de quelque façon que ce soit, ni aux produits de BMC qui ont été mal conservés, nettoyés, installés, utilisés ou entretenus, d'après les modes d'emploi de BMC.

AVIS DE NON-RESPONSABILITÉ ET LIMITATION DE RESPONSABILITÉ LA GARANTIE LIMITÉE SUSMENTIONNÉE EST LA SEULE GARANTIE OFFERTE PAR LE VENDEUR. LE VENDEUR DÉNIE TOUTE AUTRE GARANTIE, EXPLICITE OU IMPLICITE, Y COMPRIS TOUTE GARANTIE DE COMMERCIALITÉ OU D'UTILISATION À DES FINS OU BUTS PARTICULIERS.

LE RECOURS ÉTABLI AUX PRÉSENTES SERA LE RECOURS EXCLUSIF POUR TOUTE RÉCLAMATION AU TITRE DE LA GARANTIE, TOUT AUTRE DOMMAGE, Y COMPRIS LES DOMMAGES CONSÉCUTIFS ET LES DOMMAGES DUS À UNE INTERRUPTION DES ACTIVITÉS OU À UNE PERTE DE PROFIT, DE REVENU, DE MATÉRIEL, D'ÉCONOMIES PRÉVUES, DE DONNÉES, DE CONTRAT, DE CLIENTÈLE OU AUTRE CAUSE DE CE GENRE (DIRECTE OU INDIRECTE) OU TOUT AUTRE DOMMAGE ACCESSOIRE OU INDIRECT, NE SERA PAS COUVERT. LA RESPONSABILITÉ CUMULATIVE MAXIMALE DU VENDEUR RELATIVE À TOUTE AUTRE RÉCLAMATION ET RESPONSABILITÉ, Y COMPRIS LES OBLIGATIONS AUX TERMES DE TOUTE INDEMNITÉ, ASSURÉES OU NON, N'EXCÉDERA PAS LE COÛT DU OU DES PRODUIT(S) DONNANT LIEU À LA RÉCLAMATION OU À LA RESPONSABILITÉ.

LE VENDEUR RENONCE À TOUTE RESPONSABILITÉ RELATIVE À UNE INFORMATION GRATUITE OU À UNE AIDE NON NÉCESSAIRE FOURNIE PAR LE VENDEUR AUX TERMES DES PRÉSENTES. TOUTE ACTION CONTRE LE VENDEUR DOIT ÊTRE INTENTÉE DANS LES DIX-HUIT (18) MOIS QUI SUIVENT LE DROIT DE FAIRE VALOIR. LES PRÉSENTS AVIS DE NON-RESPONSABILITÉ ET LIMITATION DE RESPONSABILITÉ ENTRERONT EN VIGUEUR NONOBSANT TOUTE AUTRE DISPOSITION CONTRAIRE À CELLES-CI ET PEU IMPORTE LA FORME D'ACTION, QUE CE SOIT PAR CONTRAT, DÉLIT (Y COMPRIS LA NÉGLIGENCE ET LA RESPONSABILITÉ STRICTE) OU AUTRE, ET COMPRENDRA LES AVANTAGES DES FOURNISSEURS DU VENDEUR, DES DISTRIBUTEURS ATTIRÉS ET DES AUTRES REVENDEURS AUTORISÉS À TITRE DE TIERS BÉNÉFICIAIRES. CHAQUE DISPOSITION AUX PRÉSENTES QUI PRÉVOIT UNE LIMITATION DE RESPONSABILITÉ, UNE STIPULATION D'EXONÉRATION DE GARANTIE OU UNE CONDITION OU EXCLUSION DE DOMMAGES EST DISSOCIABLE ET INDÉPENDANTE DE TOUTE AUTRE DISPOSITION ET DOIT ÊTRE MISE À EXÉCUTION EN TANT QUE TELLE.

DANS LE CADRE DE TOUTE RÉCLAMATION OU POURSUITE POUR DOMMAGES DÉCOULANT D'UNE PRÉSUMÉE VIOLATION DE GARANTIE, VIOLATION DE CONTRAT, NÉGLIGENCE, RESPONSABILITÉ DU FAIT DES PRODUITS OU DE TOUTE AUTRE THÉORIE FONDÉE EN DROIT OU EN EQUITY, LE VENDEUR ACCEPTE PRÉCISÉMENT QUE BMC NE SERA PAS TENU RESPONSABLE DES DOMMAGES OU D'UNE PERTE DE PROFIT, QUE CEUX-CI DÉCOULENT DE L'ACHETEUR OU DES CLIENTS DE L'ACHETEUR. LA RESPONSABILITÉ DE BMC SERA LIMITÉE AU COÛT D'ACHAT DE L'ACHETEUR DES BIENS PRÉCISÉS VENDUS PAR BMC À L'ACHETEUR, QUI ENTRAÎNE LA RÉCLAMATION DE RESPONSABILITÉ.

Aucun agent, employé ni représentant de Baylis Medical n'a l'autorité de lier la société à toute autre garantie, affirmation ou représentation concernant le produit.

La présente garantie n'est valide que pour l'acheteur d'origine des produits de Baylis Medical directement d'un agent autorisé par Baylis Medical. L'acheteur d'origine ne peut transférer la garantie.

L'utilisation de tout produit de BMC sera considérée comme une acceptation des modalités et des conditions établies dans les présentes.

La garantie des produits de Baylis Medical sera en vigueur pour la période suivante :

Produits jetables	Durée de vie du produit
Accessoires	90 jours à partir de la date de livraison

Deutsch

Vor dem Gebrauch sollte die gesamte Anleitung sorgfältig gelesen werden. Beachten Sie bitte alle in dieser Anleitung aufgeführten Kontraindikationen, Warn- und Vorsichtshinweise. Bei Nichtbeachtung besteht die Gefahr von Komplikationen beim Patienten.

Baylis Medical Company verlässt sich bei der Bestimmung, Beurteilung und Information jedes einzelnen Patienten über die vorhersehbaren Risiken des Eingriffs auf den Arzt.

I. GERÄTEBESCHREIBUNG

Das Nykanen-Hochfrequenzdraht-Kit besteht aus dem Nykanen-Hochfrequenzdraht und dem Baylis Einweg-Anschlusskabel (Anschlusskabel). Der HF-Perforationskatheter Nykanen gibt eine unipolare Hochfrequenzenergie zwischen seiner distalen Elektrode und einer im Handel erhältlichen externen passiven Patchelektrode (Einmalprodukt) ab, die alle Anforderungen nach

IEC 60601-2-2:2017 erfüllt. Der Nykanen-Katheter wird durch das BMC-Katheteranschlusskabel mit dem BMC-HF-Perforationsgenerator verbunden. Über das Anschlusskabel wird HF-Spannung vom HF-Generator zum Nykanen-Hochfrequenzdraht geleitet. Generatoren mit der HF-Perforationskatheter Nykanen gehören die RFP-100 oder RFP-100A.

Die wichtigsten Abmessungen des Nykanen-Katheters sind auf dem Geräteetikett zu finden. Die Teflon-Isolierung am Katheterkörper erleichtert den Vorschub durch die Führungskatheter. Der schmale Außendurchmesser sorgt für ausreichenden Freiraum für die Injektion des Kontrastmittels durch den Führungskatheter. Der distale Abschnitt des Nykanen-Katheters ist außerdem biegsam, wobei die Form der aktiven Spitze für Herzgewebe atraumatisch ist, sofern keine HF-Energie angelegt wird.

Die Abmessungen des Anschlusskabels können auf dem Geräteetikett und in Abschnitt VI „Technische Produktdaten“ gefunden werden. Das Anschlusskabel hat einen vierpoligen Stecker an einem Ende, der mit dem RFP-100A-Generator verbunden wird und einen Stecker am anderen Ende, der mit dem Nykanen-Hochfrequenzdraht verbunden wird. Das Kabel ist mindestens 3 m lang. Weitere Informationen zum HF-Perforationsgenerator von BMC finden Sie in einem gesonderten, mit dem Generator gelieferten Handbuch (mit dem Titel „HF-Perforationsgenerator – Gebrauchsanweisung“).

II. VERWENDUNGSZWECK

USA: Der Nykanen Radiofrequency Wire wird für das Schneiden und/oder Koagulieren von Weichgewebe eingesetzt.

Kanada: Das Nykanen-HF-Perforationssystem wird für die Erzeugung einer Vorhofseptumdefekts verwendet.

EU: Das Nykanen-HF-Perforationssystem wird für die Erzeugung einer Vorhofseptumdefekts verwendet. Der Nykanen Radiofrequency Wire auch zur gezielten Perforation im Herzgewebe eingesetzt.

Der vorgesehene Verwendungszweck des Anschlusskabels ist die Verbindung des RFP-100A-Generators mit zulässigen kompatiblen HF-Vorrichtungen.

III. KONTRAINDIKATIONEN

USA: Der Nykanen Radiofrequency Wire sollte nicht für Eingriffe angewendet werden, die das Schneiden oder Koagulieren von Weichgewebe nicht erfordern.

Kanada und EU: Der Nykanen-HF-Perforationskatheter darf nicht unter Bedingungen verwendet werden, bei denen keine Erzeugung eines Vorhofseptumdefekts notwendig ist.

IV. WARNHINWEISE

- Der Nykanen-Katheter wird mit Ethylenoxid STERILISIERT ausgeliefert. Nicht verwenden, wenn die Packung beschädigt ist.
- Da HF-Perforationsverfahren kontinuierlich radiologisch beobachtet werden, sind Labormitarbeiter und Patienten verstärkt Röntgenstrahlen ausgesetzt. Dies kann zu einer akuten Strahlenverletzung führen und ebenfalls die Gefahr von somatischen und genetischen Defekten erhöhen. Es sind daher geeignete Maßnahmen zu ergreifen, um die Strahlenbelastung so gering wie möglich zu halten.
- Der Nykanen-Hochfrequenzdraht und das Anschlusskabel sind nur zur Verwendung an einem einzigen Patienten vorgesehen. Diese Vorrichtungen dürfen nicht gereinigt, sterilisiert oder wiederverwendet werden.
- Der Nykanen-Katheter ist nur für den Gebrauch an einem Patienten bestimmt. Nicht versuchen, den Katheter zu sterilisieren oder wiederzuverwenden. Bei Wiederverwendung kann es zu Verletzungen des Patienten und/oder zur Übertragung von Infektionskrankheiten von einem Patienten zum anderen kommen. Anderenfalls kann es zu Komplikationen für den Patienten kommen.
- Der Nykanen-Katheter muss mit dem BMC-Katheteranschlusskabel verwendet werden. Bei Einsatz eines anderen Anschlusskabels können Patient und/oder Bediener einen tödlichen Elektroschock erleiden.
- Das Anschlusskabel darf nur mit dem BMC RFP-100A-Generator und muss mit separat zugelassenen HF-Geräten verwendet werden. Der Versuch, es mit anderen HF-Generatoren und Vorrichtungen zu verwenden, kann dazu führen, dass Patienten und/oder Anwender einen Stromschlag erleiden.
- Die aktive Spitze des Nykanen-Katheters ist zerbrechlich. Beim Umgang mit dem Katheter stets darauf achten, dass die Spitze nicht beschädigt wird. Den Katheter bei beschädigter Spitze sofort entsorgen.
- Wird die aktive Spitze des Katheters bei dessen Einsatz verbogen, muss der Katheter sofort entsorgt werden. Nicht versuchen, die aktive Spitze auszurichten.
- Für RFP-100A: Nicht versuchen, mit einer Anfangsleistungseinstellung von mehr als 10 Watt eine Perforation zu erzeugen. Der erste Versuch muss mit einer Einstellung von 10 Watt erfolgen. Bei nachfolgenden Versuchen kann die Leistungseinstellung bei Bedarf erhöht werden.
- Von der HF-Ausgabe können implantierte Vorrichtungen wie Schrittmacher betroffen sein. Um das Risiko einer Verletzung durch ein nicht funktionierendes Implantat zu verringern, sollte gegebenenfalls eine kompetente Beratung in Anspruch genommen werden.
- Individuelle Patientenanatomien und Ärztetechniken erfordern unter Umständen Abweichungen beim Eingriff.
- Der HF-Perforationskatheter darf nicht an Neugeborenen verwendet werden (unter einem Monat alt). Keinesfalls versuchen, neonatale Patienten mit diesem Katheter zu behandeln.
- Eine versehentliche Aktivierung oder Verschiebung der aktivierten Elektrode außerhalb des Sichtfelds kann zu Verletzungen des Patienten führen.

V. VORSICHTSHINWEISE

- Nicht versuchen, den Nykanen-HF-Perforationskatheter oder dessen Zubehör ohne sorgfältiges Durchlesen dieser Gebrauchsanweisung anzuwenden.
- HF-Perforationsverfahren dürfen nur von in den Techniken der HF-Katheterperforation gründlich ausgebildeten Ärzten in einem vollständig eingerichteten Katheterisierungslabor durchgeführt werden.
- Die sterile Verpackung ist vor dem Gebrauch per Sichtprüfung auf eventuelle Beschädigungen zu kontrollieren. Darauf achten, dass die Verpackung unbeschädigt ist. Das Gerät nicht verwenden, wenn die Verpackung beschädigt ist.
- Den Nykanen-Katheter durch Sichtprüfung auf Risse oder Beschädigungen des Isoliermaterials überprüfen. Den Katheter nicht verwenden, wenn eine Beschädigung festgestellt wird.
- Den Nykanen-Katheter nicht nach dem auf dem Etikett angegebenen Verfallsdatum verwenden.
- Der Nykanen-Katheter ist nur für den Einsatz mit den in Abschnitt VIII, „Obligatorische Geräte“, aufgeführten Geräten bestimmt.
- Zur Verwendung der passiven Einmal-Patchelektrode sind die Anweisungen des Herstellers zu lesen und zu befolgen. Die verwendeten passiven Einmalelektroden müssen alle Anforderungen nach IEC 60601-2-2:2017 erfüllen oder übertreffen.
- Bei Platzierung der passiven Elektrode am Oberschenkel kann eine höhere Impedanz verursacht werden.
- Zur Vermeidung einer Brandgefahr sollten vor der HF-Applikation alle entzündbaren Stoffe aus dem Raum entfernt werden.
- Es sollten auch entsprechende Maßnahmen zur Einschränkung der vom Generator verursachten elektromagnetischen Störungen (EMS) in anderen Geräten getroffen werden. Kompatibilität und Sicherheit der Kombination aus Generator, physiologischen

Überwachungsgeräten und anderen elektrischen Geräten, die am Patienten angewendet werden, müssen überprüft werden.

- Zur Ermöglichung der kontinuierlichen Überwachung des Oberflächen-EKG während der HF-Applikation muss eine ausreichende Filtrierung vorgesehen werden.
- Der Katheter ist mit Sorgfalt zu handhaben, um Herzschäden oder Tamponaden zu verhindern. Den Katheter nur mit fluoroskopischer Unterstützung weiterbewegen. Bei Widerstand KEINE übermäßige Kraft aufwenden, um den Katheter nach vorn zu schieben oder herauszuziehen.
- Perforationsversuch erst unternehmen, wenn die aktive Spitze eine feste Position am Vorhofseptum erreicht hat.
- Aktivieren Sie HF nicht, während die Spitze in einem Katheter eines Drittanbieters (sofern verwendet) eingesetzt ist.
- Die HF-Spannung nicht aktivieren, während sich die Spitze in einem Einführsystem, Dilator oder Katheter eines Drittanbieters befindet.
- Es wird nicht empfohlen, mehr als fünf (5) HF-Applikationen pro Nykanen-Katheter vorzunehmen.
- Der Nykanen-Hochfrequenzdraht und das Anschlusskabel dürfen nicht gebogen werden. Den Nykanen-Katheter nicht biegen. Übermäßiges Verbiegen oder Knicken des Katheters kann dessen Integrität beeinträchtigen und zu Verletzungen beim Patienten führen. Den Katheter stets mit Sorgfalt handhaben. Bei der gleichzeitigen Handhabung beider Produkte mit Bedacht vorgehen.
- Der Generator kann eine sehr hohe elektrische Stromleistung ausgeben. Bei unsachgemäßer Handhabung des Katheters und der passiven Einmalelektrode, vor allem während des Betriebs des Generators, besteht die Gefahr von Verletzungen des Patienten oder des Bedieners des Gerätes.
- Während der Hochfrequenzabgabe muss sorgfältig darauf geachtet werden, dass der Patient mit keinen geerdeten Metallflächen in Berührung kommt.
- Bei offensichtlich schwacher Leistung oder Funktionsstörungen trotz normaler Einstellungen ist eventuell die passive Einmalelektrode nicht richtig angebracht, ein elektrischer Draht abgetrennt oder defekt, oder die aktive Spitze hat ungenügenden Gewebekontakt. Das Gerät auf offensichtliche Defekte oder Anwendungsfehler überprüfen. Die Nykanen-Katheterspitze besser am Vorhofseptum positionieren. Die Leistungseinstellung nur dann erhöhen, wenn die niedrige Leistungsabgabe anhält.
- Wiederverwendbare Kabel und Zubehörtteile müssen regelmäßig inspiziert werden.
- Das proximale Ende des Nykanen-Hochfrequenzdrahts nicht einsetzen und nicht als aktive Spitze verwenden.
- Der Arzt ist dafür verantwortlich, alle absehbaren Risiken bei Verwendung des Baylis Medical HF-Perforationsystems zu bestimmen, zu beurteilen und den einzelnen Patienten mitzuteilen.
- Der Nykanen-Hochfrequenzdraht und das Anschlusskabel sind für eine maximale Effektivspannung von 400 V vorgesehen.
- Keinesfalls das Anschlusskabel vom RFP-100A-Generator trennen, wenn der Generator HF-Spannung zuführt.
- Das Anschlusskabel durch Ziehen am Kabel vom RFP-100A-Generator trennen. Wenn das Kabel nicht richtig getrennt wird, kann dies zu einer Beschädigung des Kabels führen.
- Das RFP-100A-Anschlusskabel (Einmalverwendung) beim Einstecken oder Trennen vom isolierten Patientenanschluss am Generator nicht verdrehen. Das Verdrehen des Kabels kann zu Schäden an den Steckerkontakten führen.
- Das Anschlusskabel ist nicht zur Verwendung mit anderen HF-Generatoren oder anderen Produkten vorgesehen.

VI. PRODUCT SPECIFICATIONS

Modellnummer	RFX-BAY-OTW-10-SU
Gesamte Nutzlänge	10 Fuß (3 m)
Generator-Anschluss	4-polig
Geräte-Anschluss	Druckknopf

VII. KOMPLIKATIONEN

Mögliche Komplikationen bei der Verwendung des Baylis Medical HF-Perforationsystems sind u.a.:

Vorhofflimmern	Ventrikuläre Tachykardie
Vorhofflattern	Punktion des Myokards
Herzmuskelinfarkt	Tamponade
Anhaltende Arrhythmie	Tod
Gefäßkrampf	Vorhof-Tachykardie
Perikard-/Pleuraerguss	Blutung
Hämatom	Sepsis/Infektion/Entzündung
Leitungs-/Herzblockade	Perikarditis
Kammerflimmern	Hirnfarkt
Embolisches Ereignis	Perforation und/oder Herztamponade
Gefäßdissektion/Punktion	
Schmerz und Druckempfindlichkeit	
Verbrennungen des Gewebes	

VIII. INSPEKTION VOR DEM EINSATZ

Vor dem Einsatz des HF-Perforationsystems von Baylis Medical sind dessen einzelne Komponenten, darunter der BMC-HF-Perforationsgenerator, der Nykanen-HF-Perforationskatheter und das BMC-Katheteranschlusskabel sorgfältig zu inspizieren. Es ist sicherzustellen, dass die Stecker und das Anschlusskabel keine sichtbare Beschädigung wie z. B. Entfärbung, Risse, ausgebliebene Etiketten, Kabelspieß oder Knicke aufweisen. Keine beschädigte Ausrüstung verwenden. tigt auf Beschädigungen und Defekte zu prüfen, wie dies für alle in diesem Verfahren verwendeten Geräte erfolgen sollte. Beschädigte Geräte nicht verwenden. Der Nykanen-HF-Perforationskatheter darf nicht wiederverwendet werden.

IX. OBLIGATORISCHE GERÄTE

Das Herz perforierende Verfahren sind in einem speziellen, mit Fluoroskop, Radiografietisch, physiologischem Aufzeichnungsgerät, Notfallausrüstung und Instrumenten zur Schaffung eines Gefäßzugangs ausgestatteten Klinikraum auszuführen. Zu den für eine Herzperforation erforderlichen Hilfsmaterialien gehören:

- BMC-HF-Perforationsgenerator
- BMC-Katheteranschlusskabel (Modell RFP-101 für die Verwendung mit RFP-100 Generator oder RFX-BAY-OTW-10-SU für die Verwendung mit RFP-100A Generator).
- Passive Einmalelektrode, die die Anforderungen an elektrochirurgische Elektroden nach IEC 60601-2-2:2017 erfüllen oder übertreffen muss (z.B. die PolyHesive-Elektrode von Valley Labs, Best.Nr. E7506).
- Die Verwendung eines Nykanen Radiofrequency Wire mit dem Baylis Medical ProTrack™ Microkatheter (Modell CIC 38-145) ist zu empfehlen.

X. EINRICHTEN DES SYSTEMS

- Das System muss gemäß der Gebrauchsanweisung zum BMC-HF-Perforationsgenerator eingerichtet werden. In der Gebrauchsanweisung sind alle Schritte für den Anschluss des Systems, die Einstellung der Parameter und die Abgabe der HF-Energie beschrieben.
- Alle Anweisungen für das erforderliche Gerät sind genau zu lesen, zu verinnerlichen und zu befolgen. Nichtbeachtung kann zu Komplikationen führen.

XI. ANSCHLIESSEN DER PASSIVEN ELEKTRODE

- Die passive Einmal-Patchelektrode aus der Packung nehmen und die Schutzfolie abziehen, um die leitende Geffläche freizulegen. Vor Anbringen der Elektrode am Patienten prüfen, ob sich das Elektrodenpflaster feucht und klebrig anfühlt. Bei einer trockenen Elektrode ist die Erdungskapazität begrenzt.
- Die passive Einmal-Patchelektrode auf einer gut vaskularisierten, gewölbten Hautoberfläche in Herznähe anbringen. Diese Elektrode darf nicht am Oberschenkel angebracht werden, da in diesem Bereich eine höhere Impedanz vorliegt (siehe Abschnitt V, „Vorsichtshinweise“). Auch Narben, hohe Knochen, Fettgewebe oder Bereiche mit hoher Flüssigkeitsansammlung sollten vermieden werden. Die Applikationsstelle muss rasiert (bei Bedarf), gereinigt und getrocknet werden.
- Genau überprüfen, ob die gesamte Fläche der passiven Einmal-Patchelektrode vollständig auf der Haut anliegt. Bei einer passiven Elektrode mit mangelndem Hautkontakt besteht bei Abgabe der HF-Energie die Gefahr von Hautverbrennungen.
- Den Stecker der passiven Einmal-Patchelektrode gemäß der Gebrauchsanweisung zum Generator in den entsprechenden Anschluss am BMC-HF-Perforationsgenerator einstecken. Darauf achten, dass der Stecker der passiven Einmal-Patchelektrode fest in den Steckplatz eingesteckt ist.

XII. GEBRAUCHSANWEISUNG

Der Nykanen-HF-Perforationskatheter wird meistens durch die Oberschenkelvene eingeführt und unter fluoroskopischer Beobachtung bis in die entsprechende Herzkammer vorgeschoben. Nach korrekter Positionierung wird über den BMC-HF-Perforationsgenerator Hochfrequenzenergie zugeführt. Dadurch wird das anvisierte Herzgewebe perforiert.

Vorbereitung der Vorrichtung

- Der Nykanen-Katheter wird steril ausgeliefert. Beim Öffnen der Verpackung und beim Umgang mit dem Produkt in einem sterilen Arbeitsbereich aseptische Techniken anwenden.
- Vor Einführen des Nykanen-Katheters muss die für Herzkatheterisierungen übliche Prämedikation verabreicht werden.
- Das Verfahren kann perkutan über die Oberschenkelvene erfolgen.
- Bei Verwendung der perkutanen Technik wird der Nykanen-Katheter durch einen Führungskatheter bis zum Perforationsstius in das Herz eingeführt.
- Vor Beginn des Perforationsverfahrens sollte der linke und rechte Atriumdruck gemessen und aufgezeichnet sowie die systemische Sättigung bestimmt werden.
- Der Nykanen-Katheter wird unter fluoroskopischer Beobachtung der Katheterspitze in den rechten Vorhof eingeführt.

Verbindung des Kabels und des Drahts

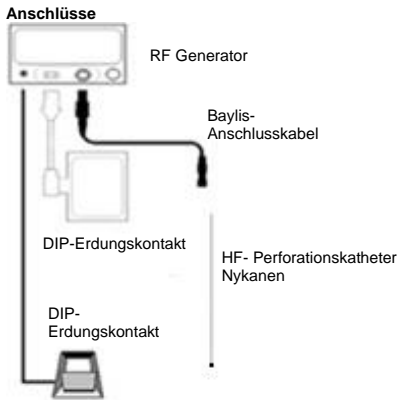
- Wie in der Gebrauchsanweisung des Generators beschrieben, das Generatoranschlussteckende des Kabels an den isolierten Patientenanschluss des RFP-100A-Generators anschließen. Das Anschlusskabel verwendet einen kreisförmigen Stecker, der so geformt ist, dass er nur richtig herum eingesteckt werden kann. Die Steckerkontakte vorsichtig an der Buchse ausrichten und hineindrücken, bis der Stecker fest in der Buchse sitzt. Jeder Versuch, das Kabel anders zu verbinden, führt zu einer Beschädigung der Kontakte auf dem Stecker.
- Beim Anschließen des Kabels an den Generator keine übermäßige Kraft anwenden. Zu starke Kraftanwendung kann zu einer Beschädigung der Steckerkontakte führen.
- Das Ende des Kabels mit dem Stecker fest in eine Hand nehmen. Mit dem Daumen die rote Taste oben auf dem Stecker drücken. Langsam das proximale Ende des Nykanen-Hochfrequenzdrahts in die Öffnung des Anschlusskabel-Anschlusses einsetzen. Wenn der freiliegende Teil des proximalen Drahtendes nicht mehr zu sehen ist, die rote Taste am Stecker loslassen. Zur Sicherstellung einer festen Verbindung vorsichtig am Produkt ziehen.
- Um den Nykanen-Hochfrequenzdraht vom Anschlusskabel zu entfernen, muss die rote Taste auf dem Stecker gedrückt und dann das proximale Ende des Nykanen-Hochfrequenzdrahts vorsichtig vom Steckerkabel entfernt werden.
- Um das Anschlusskabel vom RFP-100A-Generator zu trennen, den Stecker fest fassen und vorsichtig gerade aus dem Anschluss ziehen.

Platzierung des Drahts

- Schieben Sie den Nykanen Wire so weit vor, dass die aktive Spitze über die Katheterspitze hinausreicht und ins Zielgewebe reicht. Nach Erreichen der richtigen Position kann HF-Energie über den BMC-HF-Perforationsgenerator an die aktive Spitze abgegeben werden. Dadurch wird das anvisierte Herzgewebe perforiert. Vor Gebrauch des Generators bitte die Gebrauchsanweisung lesen.
- **HINWEIS: Wird die aktive Spitze des Nykanen-Katheters bei dessen Einsatz verbogen, muss der Katheter sofort entsorgt werden. Nicht versuchen, die aktive Spitze auszurichten.**

Zuführung von HF-Spannung

- **HINWEIS: Es empfiehlt sich, eine möglichst niedrige Energieleistung für eine erfolgreiche Punktion zu verwenden.**
- Für RFP-100 Generator: In Experimenten wurde festgestellt, dass eine Leistungseinstellung von 10 Watt für eine erfolgreiche Punktion ausreichend ist. Die Einstellung der Anfangsleistung darf nicht mehr als 10 Watt betragen.
- Für RFP-100A Generator: Eine Grundeinstellung von einer (1) Sekunde im Pulsbetrieb wird empfohlen. Bei nachfolgenden Punktionen können die Betriebs- und Zeiteinstellungen nötigenfalls nach dem Ermessen des Arztes angepasst werden. Versuchen Sie keinesfalls eine Punktion mit einer Anfangsleistung durchzuführen, die höher ist als in der Einstellung „PULSE“ von ein (1) Sekunde.
- Für den erfolgreichen Vorschub durch das Gewebe muss während des Verfahrens ein konstanter Druck an den Nykanen-Katheter angelegt werden.
- Die Abgabe der HF-Energie kann durch Drücken der RF ON/OFF-Taste am Generator vor Ablauf des Zeitgebers beendet werden.
- Wenn nach fünf (5) HF-Applikationen keine Septumperforation erzielt wird, sollte ein alternatives Verfahren eingesetzt werden.
- Ist die erste Perforation erfolgreich abgeschlossen, sollte der Nykanen-Katheter mechanisch ohne HF-Applikation weiterbewegt werden.
- Der Eintritt in den linken Vorhof kann durch fluoroskopische Beobachtung des Nykanen-Katheters bestätigt werden. Nachdem der Führungskatheter über dem Nykanen-Katheter vorgeschoben wurde, wird durch eine kleine Kontrastmittelinjektion angezeigt, ob sich der Führungskatheter im linken Vorhof befindet.
- Der Nykanen-Katheter kann dann aus dem Patienten entfernt werden. Die Perforation sollte anschließend durch geeignete, zugelassene Dilatationsmethoden erweitert werden. Dabei sind die Gebrauchsanweisungen zu den jeweiligen Geräten zu befolgen.



XIII. INSTRUCTIES VOOR REINIGEN EN STERILISEREN

Der Nykanen-Hochfrequenzdraht ist zum Einmalgebrauch vorgesehen und wird steril geliefert. Das Produkt nicht reinigen oder sterilisieren. Die Sterilität ist nur bei ungeöffneter und unbeschädigter Verpackung gewährleistet.

XIV. MÜLLENTSORGUNG

Der gebrauchte Nykanen-Hochfrequenzdraht-Kit ist als biologische Gefahr zu behandeln und in Übereinstimmung mit Standardverfahren des Krankenhauses zu entsorgen.

XV. KLANTENSERVICE EN INFORMATIE OVER TERUGSTUREN VAN PRODUCTEN

Mocht u problemen met of vragen over Baylis Medical apparatuur hebben, neem dan contact op met ons technisch ondersteuningspersoneel.

Baylis Medical Company Inc.
 5959 Trans-Canada Highway
 Montreal, Quebec, Canada, H4T 1A1
 Phone: (514) 488-9801 or (800) 850-9801
 Fax: (514) 488-7209
 www.baylismedical.com

OPMERKINGEN:

- Om producten te retourneren, moet u eerst een retourmachtigingsnummer hebben vooraleer u de producten kan terugzenden naar Baylis Medical Company. Instructies voor retourneren van het product krijgt u bij deze gelegenheid.
- Zorg ervoor dat ieder product dat naar Baylis Medical wordt geretourneerd, gereinigd, gedecontamineerd en/of gesteriliseerd is zoals aangegeven op de productretourinstructies, voordat u het voor garantieservices opstuurt. Baylis Medical accepteert geen enkel instrument dat niet naar behoren is gereinigd of gedecontamineerd volgens de productretourinstructies.

XVI. FEHLERSUCHE UND -BEHEBUNG

Die nachstehende Tabelle soll dem Nutzer dienen, um ihm bei der Diagnose möglicher Probleme zu helfen.

PROBLEM	ERLÄUTERUNGEN	FEHLERSUCHE UND -BEHEBUNG
Fehler- und Warmmeldungen des Generators	Für eine erfolgreiche Punktion von Gewebe mit Hochfrequenzenergie muss das gesamte System angeschlossen sein, und alle Geräte müssen sich in einem guten Betriebszustand befinden.	Stellen Sie sicher, dass alle Verbindungen hergestellt wurden zwischen: - dem Punkturgerät und dem Anschlusskabel - dem Anschlusskabel und dem Generator - dem Generator und dem Stromanschluss - dem Generator und der Neutralelektrode Überprüfen Sie den Katheter/das Kabel visuell auf Beschädigungen. Entsorgen Sie beschädigte Geräte umgehend. Wenn das Problem weiterhin bestehen bleibt, verwenden Sie das Gerät nicht weiter. Hinweise zu Fehler-/Warmmeldungen, die während dem Punktionsversuch auftreten, entnehmen Sie bitte der Bedienungsanleitung, die dem Generator beiliegt. Wenn der Fehler weiterhin bestehen bleibt, schließen Sie ein neues Anschlusskabel an. Wird das Problem dadurch behoben, entsorgen Sie das beschädigte Anschlusskabel.
Das Anschlusskabel passt nicht in den isolierten Patientenanschluss an der Vorderseite des Generators	Aus Sicherheitsgründen sind die Anschlüsse so ausgelegt, dass sie nur in einer ganz bestimmten Weise angeschlossen werden können. Wenn die Anschlüsse nicht entsprechend ihrer Kennzeichnung ausgerichtet sind, passen sie nicht zusammen.	Prüfen Sie, ob die Anschlüsse richtig ausgerichtet sind. Stellen Sie sicher, dass die Anschlüsse sauber und frei von Rückständen sind.

XVII. BESCHRIFTUNG UND SYMBOLE

	Hersteller
	Autorisierter Stellvertreter in der Europäischen Gemeinschaft
	Steril; Sterilisationsmethode mit Ethylenoxid
	Verwendbar bis
	Achtung
	Beachten sie die gebrauchsanweisung
	Katalognummer
Rx ONLY	Bundesgesetz (U.S.A) schreibt vor, dass dieses Produkt nur durch einen Arzt verkauft oder auf dessen Verschreibung verkauft werden darf
	Einmalige Verwendung
	Nicht erneut sterilisieren
	Seriennummer
	Bei beschädigter Verpackung nicht benutzen
	Vor Tageslicht schützen
	Nur für EU-Mitgliedsstaaten: Dieses Symbol verweist darauf, dass das Produkt in Übereinstimmung mit lokalen und nationalen Richtlinien entsorgt werden muss. Fragen zum Recycling dieses Geräts beantwortet Ihr Händler dieses Geräts
	Nichtpyrogen
	Nur mit BMC RFP-Generatoren verwenden
	Maximal fünf (5) HF-Leistungsanwendungen

XVIII. BEGRENZTE GARANTIE – EINWEGARTIKEL UND ZUBEHÖR

Baylis Medical Company Inc. (BMC) gewährleistet, dass ihre Einweg- und Zubehöartikel frei von Material- und Herstellungsmängeln sind. BMC gewährleistet, dass sterile Produkte bei intakter Originalverpackung für den auf dem Etikett angegebenen Zeitraum steril bleiben. Gemäß dieser eingeschränkten Gewährleistung ersetzt oder repariert BMC in seinem alleinigen Ermessen ein solches Produkt, übernimmt jedoch nicht die Transport- und Arbeitskosten für die Inspektion, Entfernung oder das Aufstocken des Produkts. Die Dauer der Gewährleistung beträgt: (i) für die Einwegprodukte, die Lagerzeit des Produkts, und (ii) für die Zubehörprodukte, 90 Tage ab Versand. Diese eingeschränkte Gewährleistung gilt nur für neue, ab Werk gelieferte Produkte, die für die normalen und vorgesehenen Zwecke verwendet wurden. Die beschränkte Garantie von BMC gilt nicht für BMC-Produkte, die restilisiert, repariert, verändert oder modifiziert wurden und nicht für BMC-Produkte, die nicht sachgemäß bzw. nicht wie in den Anweisungen von BMC beschrieben aufbewahrt, gereinigt, installiert oder bedient wurden.

HAFTUNGSAUSSCHLUSS UND EINSCHRÄNKUNG DER HAFTBARKEIT DIE OBEN BESCHRIEBENE EINGESCHRÄNKTE GARANTIE IST DIE EINZIGE GARANTIE, DIE VOM VERKÄUFER ANGEBOTEN WIRD. DER VERKÄUFER SCHLIESST ALLE WEITEREN GARANTIEEN AUS, OB AUSDRÜCKLICH ODER STILLSCHWEIGEND, EINSCHLIESSLICH JEDLICHER GARANTIE FÜR VERMARKTBARKEIT ODER EIGNUNG FÜR EINE BESTIMMTE VERWENDUNG ODER EINEN BESTIMMTEN ZWECK.

DIE HIERIN BESCHRIEBENEN RECHTSMITTEL SIND DIE AUSSCHLIESSLICHEN RECHTSMITTEL FÜR JEDLICHE GARANTIEFORDERUNGEN, UND RECHTSMITTEL FÜR ZUSÄTZLICHE SCHÄDEN, EINSCHLIESSLICH FOLGESCHÄDEN ODER SCHÄDEN AUFGRUND VON UNTERBRECHUNGEN VON GESCHÄFTSTÄTIGKEITEN ODER VERLUSTEN VON GEWINNEN, UMSATZVERLUSTE, VERLUSTE VON MATERIALIEN, ANGENOMMENEN EINSPARUNGEN, DATEN, VERTRÄGEN, GOODWILL ODER ÄHNLICHEN (OB IN IHRER ART DIREKT ODER INDIREKT) ODER FÜR JEDLICHE SONSTIGE ANDERE FORM VON ZUFÄLLIGEN ODER INDIREKTEN SCHÄDEN JEDLICHER ART, SIND AUSGESCHLOSSEN. DIE MAXIMALE KUMULIERTE HAFTUNG DES VERKÄUFERS IN BEZUG AUF ALLE SONSTIGEN FORDERUNGEN UND VERPFLICHTUNGEN, EINSCHLIESSLICH VERPFLICHTUNGEN GEMÄSS JEDLICHEN SCHADENERSATZES, OB ZUGESICHERT ODER NICHT, ÜBERSTEIGT NICHT DIE KOSTEN DES PRODUKTS/DER PRODUKTE, AUFGRUND DERER DIE FORDERUNG ODER VERPFLICHTUNG ENTSTAND. DER VERKÄUFER SCHLIESST ALLE HAFTUNGSVERPFLICHTUNGEN BEZÜGLICH KOSTENFREIER INFORMATIONEN ODER DER HILFESTELLUNG, DIE ANGEBOTEN WIRD, ABER ZU DER DER VERKÄUFER HIERUNTER NICHT VERPFLICHTET IST, AUS. JEDLICHE FORDERUNGEN GEGEN DEN VERKÄUFER MÜSSEN INNERHALB VON ACHTZEHN (18) MONATEN NACH AUFTRETEN DER URSACHE VORGEBRACHT WERDEN. DIESE HAFTUNGSAUSSCHLÜSSE UND EINSCHRÄNKUNGEN DER HAFTUNG GELTEN UNABHÄNGIG VON JEDLICHEN GEGENTEILIGEN BESTIMMUNGEN HIERIN UND UNABHÄNGIG VON DER ART DER MASSNAHME, OB AUFGRUND EINES VERTRAGS, EINER UNERLAUBTEN HANDLUNG (EINSCHLIESSLICH FAHRLÄSSIGKEIT UND KAUSALHAFTUNG) ODER ANDERWEITIG, UND SIE GELTEN DARÜBER HINAUS FÜR DIE HÄNDLER, DIE ERNANNTE DISTRIBUTOREN UND SONSTIGE AUTORISIERTE WIEDERVERKÄUFER DES

VERKÄUFERS ALS DRITE BEGÜNSTIGTE. JEDE BESTIMMUNG HIERIN, DIE EINE BESCHRÄNKUNG DER HAFTUNG, EINEN HAFTUNGSAUSSCHLUSS EINER GARANTIE ODER EINE BEDINGUNG ODER EINEN AUSSCHLUSS VON SCHÄDEN BIETET, IST EIGENSTÄNDIG UND UNABHÄNGIG VON JEGLICHER SONSTIGEN BESTIMMUNG UND MUSS ALS SOLICHE DURCHGESETZT WERDEN.

IN JEGLICHER FORDERUNG ODER KLAGE VOR GERICHT FÜR SCHÄDEN, DIE SICH AUS EINER ANGENOMMENEN VERLETZUNG DER GARANTIE, VERLETZUNG DES VERTRAGS, FAHRLÄSSIGKEIT, PRODUKTHAFTUNG ODER SONSTIGEN ANDEREN GESETZLICHEN ODER RECHTLICHEN THEORIE ERGEBEN, STIMMT DER KÄUFER AUSDRÜCKLICH ZU, DASS BMC NICHT FÜR SCHÄDEN ODER FÜR DEN VERLUST VON GWINNEN, ODE DIESE VOM KÄUFER ODER DEN KUNDEN DES KÄUFERS ERLITTEN WERDEN, HAFTBAR ZU MACHEN IST. DIE HAFTBARKEIT VON BMC IST BEGRENZT AUF DIE KOSTEN DES KÄUFERS FÜR DEN KAUF DER SPEZIELLEN WAREN, DIE VON BMC AN DEN KÄUFER VERKAUFT WURDEN, UND DIE DEN GRUND FÜR DIE FORDERUNG EINER ENTSCHÄDIGUNG LIEFERN.

Kein Agent, Mitarbeiter oder Vertreter von Baylis Medical verfügt über la Autorisierung, das Unternehmen an jegliche sonstige Garantie, Zustimmung oder Zusicherung das Produkt betreffend zu binden.

Diese Garantie ist nur gültig für den ursprünglichen Käufer von Baylis Medical-Produkten, die er direkt von einem von Baylis Medical autorisierten Vertreter erworben hat. Der ursprüngliche Käufer kann die Garantie nicht übertragen.

Der Einsatz eines Produkts von BMC wird als Zustimmung zu den Geschäftsbedingungen hierin erachtet.

Die Garantiezeiträume für Baylis Medical-Produkte sind Folgende:

Einwegartikel	Halbbarkeit des Produkts
Zubehörprodukte	90 Tage ab dem Versanddatum

Italiano

Leggere attentamente le istruzioni per esteso prima dell'uso. Osservare tutte le controindicazioni, le avvertenze e le precauzioni riportate nelle presenti istruzioni. L'inotemperanza alla suddette potrebbe dare adito a complicazioni a carico del paziente.

Baylis Medical Company si affida al medico per determinare, valutare e comunicare ad ogni singolo paziente tutti i rischi prevedibili della procedura.

I. DESCRIZIONE DEL DISPOSITIVO

Il Kit Filo a Radiofrequenza Nykanen consiste di un Filo a Radiofrequenza Nykanen e il Cavo di Collegamento Monouso Baylis (Cavo di collegamento). Il catetere di perforazione a radiofrequenza Nykanen trasmette energia RF in modo monopolare tra il suo elettrodo distale ed un elettrodo esterno indifferente (dispersivo) monouso a piastra (Disposable Indifferent Patch, DIP), disponibile in commercio, conforme allo standard IEC 60601-2-2:2017. Il catetere è collegato al generatore di perforazione a radiofrequenza BMC attraverso il cavo connettore per catetere BMC. Il Cavo di collegamento consente di erogare l'energia RF dal Generatore RF al Filo a Radiofrequenza Nykanen. Informazioni dettagliate sul generatore di perforazione a radiofrequenza BMC sono riportate su un manuale separato che accompagna il generatore (chiamato "Generatore di perforazione a radiofrequenza BMC - Istruzioni per l'uso"). Generatori compatibili con la catetere di perforazione a radiofrequenza Nykanen includono il RFP-100 o RFP-100A.

Le dimensioni del Cavo di collegamento sono presenti sull'etichetta del dispositivo e nella Sezione IV "Specifiche del Prodotto." Il Cavo di collegamento ha un connettore a quattro pin su un'estremità che si accoppia con il Generatore RFP-100A e un connettore all'altra estremità, che si accoppia con il Filo a Radiofrequenza Nykanen.

Le dimensioni critiche del catetere Nykanen sono rinvenibili sull'etichetta del dispositivo. L'isolamento in Teflon sul corpo del catetere facilita un avanzamento regolare attraverso cateteri di guida, mentre il diametro esterno è abbastanza piccolo da fornire uno spazio adeguato per l'iniezione di una soluzione di contrasto. La parte distale del catetere è flessibile e la punta attiva ha una forma speciale per essere atraumatica per il tessuto cardiaco a meno che non sia applicata energia RF. Il cavo può ospitare una lunghezza massima consentita di 3 metri.

II. INDICAZIONI PER L'USO

Stati Uniti: Il Nykanen Radiofrequency Wire è stato ideato al fine di tagliare e/o cauterizzare tessuti molli.

Canada: Il catetere di perforazione RF Nykanen è progettato per creare un difetto settale atriale nel cuore.

UE: Il catetere di perforazione RF Nykanen è progettato per creare un difetto settale atriale nel cuore. Il Nykanen Radiofrequency Wire è anche destinato a creare una perforazione controllata nei tessuti cardiaci.

L'uso previsto del cavo connettore è quello di collegare il Generatore RFP-100A a dispositivi RF compatibili autorizzati separatamente.

III. CONTROINDICAZIONI

Stati Uniti: Si sconsiglia l'uso del Nykanen Radiofrequency Wire nelle situazioni che non richiedono il taglio o la cauterizzazione di tessuti molli.

Canada e UE: Si sconsiglia l'uso del catetere di perforazione RF Nykanen in condizioni che non richiedono la creazione di un difetto settale atriale.

IV. AVVERTENZE

- Il Catetere Nykanen è fornito in condizioni STERILI ed è sterilizzato con ossido di etilene. Non usare qualora l'imballaggio non appaia integro.
- Nel corso delle procedure di perforazione a radiofrequenza il personale dei laboratori ed i pazienti possono essere esposti ad un livello elevato di irradiazione con raggi x a causa dell'impiego continuo di imaging fluoroscopico. Una siffatta esposizione può causare lesioni da irradiazione acute, nonché l'aumento del rischio di insorgenza di effetti avversi a livello somatico e genetico. Si rende pertanto necessaria l'adozione di misure precauzionali adeguate tese a ridurre al minimo tale esposizione.
- Il Filo a Radiofrequenza Nykanen e il Cavo di collegamento sono destinati al solo uso su un singolo paziente. Non tentare di pulire, sterilizzare e riutilizzare questi dispositivi.
- Il catetere Nykanen è esclusivamente monopaziente. Non tentare di risterilizzare o di riutilizzare il catetere. Il riutilizzo può causare lesioni a carico del paziente e/o la trasmissione di malattie infettive da un paziente all'altro. La loro inosservanza può provocare complicanze nei pazienti.
- Il catetere Nykanen deve essere usato insieme al cavo connettore per catetere BMC. I tentativi di utilizzo del dispositivo insieme a cavi di connessione diversi da quello specificato potrebbero causare la folgorazione del paziente e/o dell'operatore.
- Il Cavo di collegamento deve essere utilizzato esclusivamente con il Generatore RFP-100A BMC e con dispositivi RF compatibili autorizzati separatamente. Qualora si tenti di utilizzarlo con altri Generatori e dispositivi FR, esiste il rischio di elettrocuzione del paziente e/o dell'operatore.
- La punta attiva del catetere Nykanen è fragile. Prestare attenzione a non danneggiare la punta durante la manipolazione del catetere. In caso di danneggiamento della punta, gettare immediatamente il catetere.
- Qualora la punta attiva del catetere dovesse piegarsi in qualsiasi momento durante l'uso, gettare immediatamente il catetere. Non tentare di raddrizzare la punta attiva.
- Per l'RFP-100: Non cercare di perforare con un'impostazione di energia iniziale maggiore di 10 watt. Il primo tentativo deve essere eseguito con una impostazione della potenza pari a 10 watt. Per i tentativi successivi, si può aumentare la potenza, qualora ciò dovesse risultare necessario.

- Durante l'emissione di RF, i dispositivi impiantati, come i pacemaker, possono esserne influenzati. Laddove necessario, ottenere una consulenza qualificata per ridurre al minimo il rischio di traumi dovuti al malfunzionamento del dispositivo impiantato.
- L'anatomia individuale del paziente e la tecnica del medico possono richiedere variazioni procedurali.
- Il catetere di perforazione RF non va usato con pazienti neonatali (meno di un mese di età). Non cercare di trattare pazienti neonatali con il catetere.
- L'attivazione o il movimento involontario dell'elettrodo attivato al di fuori del campo visivo può provocare lesioni al paziente.

V. PRECAUZIONI

- Non tentare di usare il catetere di perforazione a radiofrequenza Nykanen o gli apparecchi accessori prima di aver letto attentamente e per esteso le relative Istruzioni per l'uso incluse nella confezione.
- Le procedure di perforazione a radiofrequenza devono essere eseguite esclusivamente da medici dotati della debita formazione sulle tecniche di perforazione a radiofrequenza con catetere, e presso un laboratorio di cateterizzazione adeguatamente attrezzato.
- L'imballaggio sterile deve essere ispezionato visivamente prima dell'uso per accertarne l'integrità. Accertarsi che l'imballaggio non sia stato danneggiato. Non usare il dispositivo qualora l'imballaggio non appaia integro.
- Controllare il catetere Nykanen prima dell'uso per assicurarsi che non vi siano fessure o danni al materiale isolante. Non utilizzare il catetere se danneggiato.
- Non usare il catetere Nykanen dopo la data di scadenza riportata sull'apposita etichetta.
- Il catetere di perforazione in radiofrequenza Nykanen deve essere utilizzato solo con i dispositivi elencati nella sezione VIII, "Attrezzatura occorrente".
- Leggere ed attenersi alle istruzioni per l'uso dell'elettrodo indifferente (dispersivo) adesivo monouso fornite dal relativo produttore. Usare sempre degli elettrodi indifferenti (dispersivi) adesivi monouso (DIP) conformi ai requisiti imposti dalle norme IEC 60601-2-2:2017.
- Il posizionamento dell'elettrodo dispersivo sulla coscia potrebbe comportare un aumento dell'impedenza.
- Onde prevenire il rischio di esplosione accertarsi che non sia presente materiale infiammabile nella stanza durante le applicazioni di energia a radio frequenza.
- Adottare le precauzioni necessarie per limitare gli effetti che l'interferenza elettromagnetica (EMI) prodotta dal Generatore potrebbero esercitare sul corretto funzionamento di altre apparecchiature. Accertare la compatibilità e la sicurezza degli altri dispositivi di monitoraggio fisiologico ed apparecchi elettrici di cui si prevede l'uso per il paziente in concomitanza all'uso del Generatore.
- Occorre impiegare una filtrazione adeguata per consentire il monitoraggio costante dell'elettrocardiogramma (ECG) di superficie durante le applicazioni di energia a radio frequenza.
- Manipolare il catetere con la debita cautela onde evitare tamponamenti o danni cardiaci. L'avanzamento del catetere dovrebbe essere eseguito sotto guida fluoroscopica. Qualora si dovesse incontrare resistenza, NON usare forza eccessiva per far avanzare o estrarre il catetere.
- Non tentare di eseguire una perforazione prima di aver saldamente posizionato la punta attiva contro il setto atriale.
- Non attivare la RF quando la punta è inserita in un catetere terzo (qualora usato).
- Non attivare la RF mentre la punta si trova all'interno di un introduttore, dilatatore o catetere di terze parti.
- Si consiglia di non superare cinque (5) applicazioni di energia in radiofrequenza per catetere Nykanen.
- Non piegare il Filo a Radiofrequenza Nykanen e il Cavo di collegamento. Non piegare il catetere. La piegatura o l'attorcigliamento eccessivi dello stelo del catetere potrebbero compromettere l'integrità del catetere e causare lesioni a carico del paziente. Esercitare la debita cautela durante la manipolazione del catetere. Occorre prestare la massima attenzione durante la manipolazione di entrambi i dispositivi.
- Il Generatore è in grado di trasmettere un'energia elettrica di potenza considerevole. La manipolazione impropria del catetere e dell'elettrodo dispersivo indifferente monouso potrebbe causare lesioni a carico del paziente o dell'operatore, in particolar modo durante l'azionamento del dispositivo.
- Durante la trasmissione dell'energia, non permettere al paziente di entrare a contatto con superfici metalliche collegate a terra.
- Un'apparente erogazione di bassa corrente o il funzionamento difettoso del dispositivo con i parametri normali potrebbero indicare un'applicazione non corretta dell'elettrodo DIP, un guasto di una derivazione elettrica o uno scarso contatto con i tessuti nella posizione della punta attiva. Escludere la presenza di evidenti difetti o applicazioni errate del dispositivo. Tentare di posizionare meglio la punta del catetere Nykanen contro il setto atriale. Aumentare la potenza solo in caso di persistenza dell'erogazione di bassa energia.
- Ispezionare regolarmente e testare cavi e accessori multiuso.
- Non tentare di inserire e utilizzare l'estremità prossimale del Filo a Radiofrequenza Nykanen come punta attiva.
- La Baylis Medical Company si affida al medico per quanto attiene alla determinazione, alla valutazione e alla comunicazione a ciascun singolo paziente dei rischi prevedibili associati all'uso del Sistema per perforazione a radio frequenza della Baylis Medical. Il Filo a Radiofrequenza Nykanen e il Cavo di collegamento sono classificati per una tensione massima di 400 ms.
- Non scollegare per nessun motivo il Cavo di collegamento dal Generatore RFP-100A mentre quest'ultimo sta erogando potenza RF.
- Non scollegare il Cavo di collegamento dal Generatore RFP-100A tirando dal cavo. Se il cavo viene scollegato in modo errato esiste il rischio danneggiarlo.
- Non torcere il Cavo di collegamento RFP-100A (Monouso) mentre lo si inserisce o lo si toglie dal Connettore del Paziente Isolato sul Generatore. La torsione del cavo può danneggiare i connettori a pin.

Si raccomanda di non utilizzare il Cavo di collegamento con qualsiasi altro generatore RF o con qualsiasi altro dispositivo.

VI. VI. PRODUCT SPECIFICATIONS

Numero modello	RFX-BAY-OTW-10-SU
Lunghezza d'uso totale	10 feet (3m)
Connettore generatore	4-pin
Connettore dispositivo	Pulsante Push

VII. EVENTI AVVERSI

Tra gli eventi avversi che potrebbero verificarsi durante l'uso del Sistema di perforazione a radiofrequenza della Baylis Medical vi sono:

Fibrillazione atriale	Tachicardia ventricolare
Flutter atriale	Perforazione del miocardio
Infarto del miocardio	Tamponamento cardiaco
Aritmia sostenuta	Dolore e Sensibilità
Decesso	Vasospasmo
Tachicardia atriale	Evento Embolico
Emorragia	Ematoma

Pericardite
Ictus Ischemico
Perforazione e/o Tamponamento cardiaco
Dissezione Aortica/Perforazione
Versamento Pericardico/Versamento Pleurico
Sepsi/Infezione/Infiammazione
Conduzione cardiaca/Arresto cardiaco

Fibrillazione Ventricolare (FV)
Ustioni dei Tessuti

VIII. ISPEZIONE PRIMA DELL'USO

Prima di utilizzare il Sistema di perforazione a radiofrequenza Baylis Medical, i componenti individuali, inclusi il generatore di perforazione a radiofrequenza BMC, il catetere di perforazione a radiofrequenza Nykanen e il cavo connettore per catetere BMC, vanno attentamente esaminati per verificare l'assenza di danni o difetti, così come va esaminata tutta l'attrezzatura usata nella procedura. Non usare apparecchiature difettose. Assicurarsi che i connettori e il cavo connettore non presentino danni visibili, come scolorimento, crepe, sbiadimento dell'etichetta, pieghe o nodi del cavo. Non utilizzare apparecchiatura danneggiata. Non riutilizzare il catetere di perforazione a radiofrequenza Nykanen.

IX. ATTREZZATURA OCCORRENTE

Le procedure di perforazione intracardiaca devono essere eseguite in un ambiente sterile presso centri clinici specializzati dotati di un apparecchio per fluoroscopia, di un tavolo radiografico, di un rilevatore fisiologico e di apparecchiature e strumenti di emergenza per l'accesso vascolare. Tra i materiali accessori occorrenti per l'esecuzione di perforazioni cardiache vi sono:

- Generatore di perforazione a radio frequenza BMC
- Cavo connettore per catetere BMC (Modello RFP-101 per l'utilizzo con RFP-100 generatore, o RFX-BAY-OTW-10-SU per l'uso con RFP-100A Generator).
- Elettrodo esterno indifferente (dispersivo) adesivo monouso (Disposable Indifferent Patch, DIP), conforme o superiore agli standard IEC 60601-2-2:2017 per gli elettrodi elettrochirurgici, come l'elettrodo Polyhesive Valley Labs N. E7506.
- Si raccomanda l'uso del Nykanen Radiofrequency Wire con il ProTrack™ Microcatetere (Modello CIC 38-145) di Baylis Medical.

X. CONFIGURAZIONE DEL SISTEMA

Fare riferimento alle istruzioni per l'uso che accompagnano il generatore di perforazione a radiofrequenza BMC. Le Istruzioni per l'uso descrivono i passi da seguire per l'effettuazione del collegamento del sistema, l'impostazione dei parametri e la trasmissione di energia a radio frequenza.

- Tutte le istruzioni per l'uso delle apparecchiature vanno lette con cura, comprese e osservate. L'inottemperanza alla suddette istruzioni potrebbe dare adito a complicazioni.

XI. APPLICAZIONE DELL'ELETTRODO INDIFFERENTE

- Estrarre l'elettrodo esterno indifferente (dispersivo) adesivo monouso dall'imballo e staccare la parte posteriore per esporre la superficie in gel conduttivo. Verificare che il tampone sia umido e appiccicoso al tatto prima di porlo sul paziente. Un elettrodo asciutto ha limitata capacità di terra.
- Porre l'elettrodo DIP su una superficie della pelle convessa ben vascolarizzata in prossimità del cuore. Non porre questo elettrodo sulla coscia, sede associata ad una maggiore impedenza (vedere sezione V, "Precauzioni"). Evitare cicatrici, protuberanze del corpo, tessuto adiposo e aree in cui può raccogliersi il fluido. Radere, pulire e asciugare il luogo di applicazione dove necessario.
- Verificare che sia stato raggiunto un contatto eccellente su tutta l'area dell'elettrodo DIP. Possono risultare ustioni quando l'energia RF viene trasmessa ad un elettrodo DIP con scarso contatto.
- Collegare il connettore dell'elettrodo DIP all'apposita porta sul generatore di perforazione RF BMC come da Istruzioni per l'uso del generatore. Verificare che il connettore dell'elettrodo DIP sia saldamente inserito nella presa.

XII. ISTRUZIONI PER L'USO

Il catetere di perforazione a radiofrequenza Nykanen è solitamente inserito nella vena femorale ed è quindi posizionato nella camera cardiaca appropriata sotto guida fluoroscopica. Una volta raggiunta la posizione appropriata, l'energia in radiofrequenza è trasmessa attraverso il generatore di perforazione RF BMC. Ciò comporterà la perforazione del tessuto cardiaco target.

Per preparare i dispositivi

- Il catetere Nykanen viene fornito sterile. Usare una tecnica asettica durante l'apertura della confezione e maneggiare il prodotto in campo sterile.
- Prima dell'inserimento del catetere, è necessaria la consueta premedicazione per cateterizzazione cardiaca.
- La procedura può essere effettuata percutaneamente attraverso la vena femorale.
- Quando la procedura viene effettuata con tecnica percutanea, viene usato un catetere di guida per introdurre il catetere RF Nykanen nel cuore al sito di perforazione.
- Prima della procedura di perforazione, vanno registrate sia la pressione atriale sinistra, sia quella destra, e va determinata la saturazione sistemica.
- Il catetere Nykanen viene introdotto nell'atrio destro, con la sede della punta del catetere confermata dall'esame fluoroscopico.

Per collegare il cavo e il filo

- Collegare l'estremità del connettore del generatore del cavo alla porta del connettore del paziente isolato sul generatore RFP-100A come da Istruzioni per l'uso del Generatore. Il Cavo di collegamento utilizza un connettore circolare, a chiave per il corretto allineamento. Allineare delicatamente i pin del connettore con la presa e spingerli fino a quando il connettore non si inserisce saldamente nella presa. Qualsiasi tentativo di collegare il cavo in maniera differente danneggerà i pin del connettore.
- Non utilizzare forza eccessiva durante il collegamento del cavo al generatore. L'utilizzo di forza eccessiva può danneggiare i pin del connettore.
- Afferrare saldamente con una mano l'estremità del Cavo di collegamento. Con il pollice premere il pulsante rosso sulla parte superiore del connettore. Inserire lentamente l'estremità prossimale del Filo a Radiofrequenza Nykanen nell'apertura del connettore del Cavo di collegamento. Una volta che la parte esposta dell'estremità prossimale del filo non è più visibile, rilasciare il pulsante rosso sul connettore. Tirare delicatamente il dispositivo per assicurarsi di avere un collegamento sicuro.
- Per scollegare il Filo a Radiofrequenza Nykanen dal Cavo di collegamento, premere il pulsante rosso sul connettore e rimuovere delicatamente l'estremità prossimale del Filo a Radiofrequenza Nykanen dal cavo di collegamento.
- Per scollegare il Cavo di collegamento dal Generatore RFP-100A, afferrare il connettore saldamente ed estrarlo delicatamente dalla presa.

Per posizionare il filo

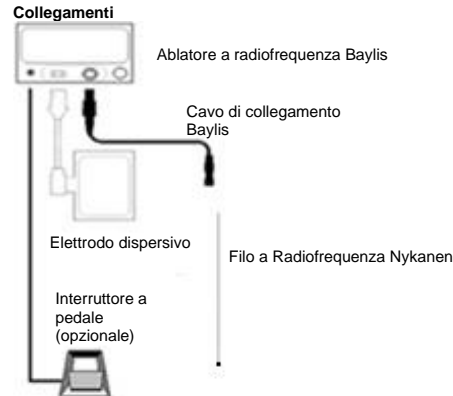
- Far avanzare il Nykanen Wire in modo che la punta attiva sporga oltre la punta del catetere e sia in contatto con il tessuto mirato. Una volta raggiunto il posizionamento corretto, è possibile erogare energia RF alla punta attiva tramite il generatore di perforazione RF BMC. Ciò comporterà la perforazione del tessuto cardiaco target. Prima di usare il generatore consultare le relative Istruzioni per l'uso.
- **NOTA: qualora la punta attiva del catetere Nykanen dovesse piegarsi in qualsiasi momento durante l'uso, gettare immediatamente il catetere. Non tentare di raddrizzare la punta attiva.**

Per erogare potenza RF

- **NOTA: Si raccomanda che l'utente utilizzi la minor quantità di energia necessaria per una impuntazione efficace possibile.**

- Per l'RFP-100 Generator: È stato determinato a livello sperimentale che una impostazione della potenza su 10 watt è sufficiente ai fini dell'esecuzione di una perforazione con esito soddisfacente. L'energia iniziale non deve superare i 10 Watt.
- Per l'RFP-100A Generator: Si raccomanda di impostare l'apparechio su (1) in modalità "PULSE". Nelle punture successive, le impostazioni di modalità e di tempo possono, se necessario, essere modificate a discrezione del medico. Non tentare di effettuare un'impuntura con una Potenza iniziale superiore a 'PULSE', un (1) secondo.
- Durante la procedura è necessario applicare sul catetere Nykanen una pressione decisa per farlo avanzare attraverso il tessuto.
- La trasmissione dell'energia RF può essere interrotta premendo il pulsante RF ON/OFF del generatore prima della scadenza del timer.
- Se non si riesce ad eseguire la perforazione del setto dopo cinque (5) applicazioni di energia a radiofrequenza, si consiglia all'utente di proseguire con un metodo alternativo per l'esecuzione della procedura.
- Al termine della perforazione iniziale, il catetere Nykanen deve essere fatto avanzare meccanicamente senza attivare l'energia a radiofrequenza.
- È possibile confermare l'avvenuto ingresso nell'atrio sinistro controllando il catetere Nykanen in fluoroscopia. Dopo che il catetere guida è stato spinto sopra il catetere Nykanen, una piccola iniezione di mezzo di contrasto indicherà che il catetere guida si trova ora nell'atrio sinistro.

Il catetere Nykanen può essere ora rimosso dal paziente. La perforazione deve quindi essere allargata con uno dei metodi di dilatazione appropriati e approvati. A tal fine si seguano le istruzioni che accompagnano i vari dispositivi.



XIII. ISTRUZIONI PER LA PULIZIA E LA STERILIZZAZIONE

Il Filo a Radiofrequenza Nykanen è monouso e viene fornito sterile. Non pulire o risterilizzare il dispositivo. I dispositivi vengono considerati sterili solo se la confezione non è stata aperta o danneggiata prima dell'uso.

XIV. SMALTIMENTO E RIFIUTI

Trattare il Filo a Radiofrequenza Nykanen usato come rischio biologico e smaltirlo in conformità con le procedure ospedaliere standard.

XV. SERVIZIO DI ASSISTENZA AI CLIENTI E INFORMAZIONI PER LA RESA DEI PRODOTTI

Per eventuali problemi o domande in merito al dispositivo qui descritto, si prega di contattare il personale del servizio di assistenza tecnica della Baylis Medical.

Baylis Medical Company Inc.
5959 Trans-Canada Highway
Montreal, Quebec, Canada, H4T 1A1
Phone: (514) 488-9801 or (800) 850-9801
Fax: (514) 488-7209
www.baylismedical.com

NOTE:

- Ai fini della resa del prodotto occorre premunirsi di un numero di autorizzazione alla resa prima di spedire il prodotto alla Baylis Medical Company. Le saranno quindi fornite le istruzioni per rimandare indietro il prodotto.
- Assicurarsi che ogni il prodotto rispedito prima di inviarlo per servizio di garanzia, così come è indicato nelle Istruzioni per il Rinvio del Prodotto. La Baylis Medical non accetterà parti di equipaggiamento usato che non siano stati puliti o decontaminati in modo appropriato come da Istruzioni per il Rinvio del Prodotto.

XVI. RISOLUZIONE DEI PROBLEMI

La seguente tabella serve se viene rilevata la presenza di potenziali problemi.

PROBLEMA	COMMENTI	RISOLUZIONE DEI PROBLEMI
Messaggi di allarme/errore del generatore	Per forare correttamente il tessuto erogando energia a radiofrequenza, tutto il sistema deve essere collegato e tutti i dispositivi devono essere perfettamente funzionanti.	Accertarsi che tutti i collegamenti siano stati eseguiti: - Dal dispositivo di puntura al cavo di connessione - Dal cavo connettore al generatore - Dal generatore alla presa di corrente - Dal generatore alla messa a terra Controllare a vista che non vi siano danni sul catetere/filo o sul cavo. Gettare immediatamente le attrezzature danneggiate. Se il problema persiste interrompere l'uso. Per i messaggi di errore/allarme durante la puntura, fare riferimento al manuale dell'operatore fornito in dotazione con l'Ablatore. Se l'errore persiste, collegare un

		cavo di connessione nuovo. Se il problema viene risolto, eliminare il cavo di connessione danneggiato.
Il cavo di connessione non entra nel Connettore del paziente isolato presente sul pannello anteriore del generatore	I connettori sono progettati per collegarsi in un modo specifico per ragioni di sicurezza. Se i "segnali" del connettore non sono allineati, i connettori non entreranno nella sede.	Controllare che i segni del connettore siano allineati secondo l'orientamento corretto. Accertarsi che i connettori siano puliti e non ostruiti.

RESPONSABILITÀ, COMPRESSE OBLIGAZIONI SOTTO OGNI INDENNITÀ, ASSICURATE O MENO, NON PUÒ ECCEDERE IL VALORE DEL O DEI PRODOTTI CHE DANNO ORIGINE AL RECLAMO O ALLA RESPONSABILITÀ. IL VENDITORE ESCLUDE OGNI RESPONSABILITÀ RELATIVA AD INFORMAZIONE GRATUITA O SUSSEGUENTE ASSISTENZA FORNITA, MA NON RICHIESTA, DAL VENDITORE. QUALSIASI AZIONE CONTRO IL VENDITORE DEVE ESSERE EFFETTUATA ENTRO I DICOTTIO (18) MESI DA QUANDO SI VERIFICA IL DANNO. QUESTE ESCLUSIONI E LIMITAZIONI DI RESPONSABILITÀ SONO APPLICABILI A PRESCINDERE DA QUALSIASI ALTRA CLAUSOLA CONTRARIA DEL PRESENTE DOCUMENTO E A PRESCINDERE DALLA FORMA DEL RICORSO, SIA ESSO PER CONTRATTO, TORTO (COMPRESA NEGLIGENZA E STRETTA RESPONSABILITÀ) O ALTRO, E SI ESTENDE ULTERIORMENTE A PROFITTO DEI VENDITORI DEL FORNITORE, DISTRIBUTORI DESIGNATI E ALTRI RIVENDITORI AUTORIZZATI COME BENEFICIARI DI TERZA PARTE. TUTTE LE CLAUSOLE DEL PRESENTE DOCUMENTO CHE PROVVEDONO A UNA LIMITAZIONE DI GARANZIA, ESCLUSIONE DI GARANZIA O CONDIZIONE O ESCLUSIONE DI DANNI SONO SEPARABILI ED INDIPENDENTI DI OGNI ALTRA CLAUSOLA E DEVONO ESSERE ATTUATE COME TALI. PER QUALSIASI RECLAMO O CAUSA PER DANNI, PROVOCATI DA PRESUNTA RESCSSIONE DI GARANZIA, DALLA RESCSSIONE DEL CONTRATTO, DALLA NEGLIGENZA, DALL'AFFIDABILITÀ DEL PRODOTTO O DA QUALSIASI ALTRA TEORIA GIUSTA O LEGALE, L'ACQUIRENTE ACCETTA SPECIFICAMENTE CHE LA BMC NON PUÒ ESSER TENUTA RESPONSABILE PER QUALUNQUE DANNO PER PERDITA DI PROFITTO O PER I RECLAMI DEI CLIENTI DELL'ACQUIRENTE PER QUALUNQUE DI QUESTI DANNI. L'UNICA RESPONSABILITÀ DELLA BMC PER DANNI È LIMITATA AL COSTO DEL BENE VENDUTO DALLA BMC ALL'ACQUIRENTE CHE FA CAUSA PER DANNI.

Nessun agente, impiegato o rappresentante della Baylis Medical ha l'autorità di legare l'azienda a tutt'altra garanzia, dichiarazione o rappresentazione riguardante il prodotto.

La garanzia è solamente valida per l'acquirente originale dei prodotti della Baylis Medical acquistati presso un agente autorizzato della Baylis Medical. L'acquirente originale non può trasferire la garanzia.

L'uso di qualsiasi prodotto della BMC implica il consenso dei termini e condizioni del presente documento.

I periodi di garanzia per i prodotti della Baylis Medical sono i seguenti:

Prodotti monouso	La durata in magazzino del prodotto
Accessori	90 giorni dalla data di spedizione

Español

Lea detenidamente todas las instrucciones antes de su utilización. Tenga en cuenta todas las contraindicaciones, advertencias y precauciones que se mencionan en estas instrucciones. Su incumplimiento puede comportar complicaciones para los pacientes.

Aviso: la legislación federal (EE. UU.) sólo autoriza la venta de este dispositivo a través o bajo prescripción de un médico.

Baylis Medical Company confía en el médico para que determine, evalúe y comunique a cada paciente todos los riesgos previsibles del procedimiento.

I. DESCRIPCIÓN DEL DISPOSITIVO

El Nykanen Radiofrequency Wire Kit (juego de alambre de radiofrecuencia Nykanen) consta del Nykanen Radiofrequency Wire y del Baylis Single-Use Connector Cable (Connector Cable) [Cable conector para un solo uso de Baylis (Cable conector)]. El catéter Nykanen de perforación por radiofrecuencia suministra radiofrecuencia (RF) en modo unipolar entre su electrodo distal y un electrodo de almohadilla indiferente (dispersivo) desechable (DIP) externo comercialmente disponible que cumpla la norma la Organización Internacional de Normalización (IEC) 60601-2-2:2017. El catéter Nykanen está conectado al generador de radiofrecuencia para perforación de BMC a través del cable conector del catéter de BMC. El Connector Cable permite entregar energía de RF desde el RF Generator (Generador de RF) al Nykanen Radiofrequency Wire. En el manual aparte que acompaña al generador (titulado "Instrucciones de uso del generador de radiofrecuencia para perforación de BMC") se encuentra información detallada sobre el generador de radiofrecuencia para perforación de BMC. Generadores compatibles con el catéter Nykanen de perforación por radiofrecuencia incluir la solicitud de propuesta RFP-100 o de 100A.

Las dimensiones más importantes del catéter Nykanen se encuentran en la etiqueta del dispositivo. El aislamiento de teflón del cuerpo del catéter facilita un suave desplazamiento a través de los catéteres guía, mientras que el diámetro exterior es lo suficientemente pequeño para ofrecer un espacio adecuado para la inyección de la solución de contraste a través del catéter guía. La parte distal del catéter Nykanen es flexible y la punta activa se ha diseñado especialmente para no resultar traumática para el tejido cardíaco salvo que se aplique energía de RF.

Las dimensiones del Cable Connector están en la etiqueta del dispositivo y en la sección VI "Especificaciones del producto". El Connector Cable tiene un conector con cuatro clavijas en un extremo que se acopla al RFP-100A Generator (Generador RFP-100), y en el otro extremo un conector que se acopla al Nykanen Radiofrequency Wire. El cable admite una longitud máxima permisible de 3 metros.

II. INSTRUCCIONES DE USO

EE. UU.: El Nykanen Radiofrequency Wire está diseñado para cortar y/o coagular tejidos blandos.

Canadá: El catéter Nykanen de perforación por radiofrecuencia se ha diseñado para crear un defecto auricular septal en el corazón.

UE: El catéter Nykanen de perforación por radiofrecuencia se ha diseñado para crear un defecto auricular septal en el corazón.

El Nykanen Radiofrequency Wire se utiliza asimismo para crear una perforación controlada en el tejido cardíaco.

El Connector Cable está destinado a conectar el RFP-100A Generator a dispositivos de RF compatibles autorizados separadamente.

III. CONTRAINDICACIONES

EE. UU.: No se recomienda utilizar el Nykanen Radiofrequency Wire con ninguna condición que no requiera el corte o coagulación de tejidos blandos.

Canadá y la UE: No se recomienda el uso del catéter Nykanen de perforación por radiofrecuencia en los estados que no requieran la creación de un defecto auricular septal.

IV. ADVERTENCIAS

- El catéter Nykanen viene ESTERILIZADO mediante un proceso con óxido de etileno. No lo utilice en caso de que el envase esté dañado.
- El personal de laboratorio y los pacientes pueden verse sometidos a una importante exposición a rayos X durante los procedimientos de perforación por radiofrecuencia debido al uso continuo de sistemas de captación de imágenes fluoroscópicas. Esta exposición puede producir graves lesiones por radiación así como un mayor riesgo de efectos somáticos y genéticos. Por consiguiente, deberán tomarse las medidas necesarias para minimizar esta exposición.
- El Nykanen Radiofrequency Wire y el Connector Cable están destinados al uso en un solo paciente. No intente limpiar, esterilizar ni reutilizar estos dispositivos.
- El catéter Nykanen está destinado para su uso con un único paciente. No intente esterilizar ni reutilizar el catéter. Su reutilización podría causar daños al paciente o la transmisión de enfermedades infecciosas entre pacientes. Si no lo hace pueden darse complicaciones en el paciente.

XVII. SIMBOLI ETICHETTE

	Produttore
	Rappresentante autorizzato nella Comunità Europea
	Sterile; Metodo di Sterilizzazione con Ossido di Etilene
	Usare entro
	Avvertimento
	Seguire le istruzioni per l'uso
	Codice catalogo
Rx ONLY	Le leggi federali degli Stati Uniti limitano la vendita di questo dispositivo solo da parte o su prescrizione di un medico
	Monouso
	Non risterilizzare
	Numero di lotto
	Non utilizzare se la confezione non è integra
	Non esporre ai raggi del sole
	Per i membri dell'UE solamente: L'uso di questo simbolo indica che il prodotto deve essere smaltito in accordo con le norme nazionali e locali. Per qualsiasi domanda riguardo al riciclaggio di questo dispositivo, contattare il distributore
	Apyrogeno
	Utilizzare Esclusivamente con Generatori RFP BMC
	Massimo cinque (5) Applicazioni di Potenza RF

XVIII. GARANZIA LIMITATA – Prodotti monouso e accessori

Baylis Medical Company Inc. (BMC) garantisce i suoi prodotti monouso e accessori contro difetti di materiali e di manodopera. BMC garantisce che i prodotti sterili rimarranno sterili per un periodo di tempo, come indicato sull'etichetta, fino a quando la confezione originale rimane intatta. Ai sensi della presente Garanzia Limitata, se un qualsiasi prodotto coperto dalla garanzia risultasse difettoso nei materiali o nella manodopera, BMC sostituirà o riparerà, a sua assoluta ed esclusiva discrezione, qualsiasi prodotto di questo tipo, detratte le spese di trasporto e le spese di manodopera accessorie per l'ispezione, la rimozione o il rifornimento del prodotto. La durata della garanzia è: (i) per i prodotti Monouso, la vita a scaffale del prodotto, e (ii) per i prodotti Accessori, 90 giorni a decorrere dalla data di spedizione. Questa garanzia limitata si applica solo ai nuovi prodotti originali consegnati in fabbrica che sono stati utilizzati per gli usi normali e previsti. La Garanzia Limitata di BMC non si applica ai prodotti BMC che siano stati risterilizzati, riparati, alterati o modificati in qualsiasi modo e non si applica ai prodotti BMC che siano stati conservati o puliti, installati, utilizzati o sottoposti a manutenzione in modo improprio, contrariamente alle istruzioni di BMC. **ESCLUSIONE E LIMITAZIONE DELLA RESPONSABILITÀ LA GARANZIA LIMITATA DESCRITTA SOPRA È L'UNICA GARANZIA FORNITA DAL VENDITORE. IL VENDITORE ESCLUDE OGNI ALTRA GARANZIA ESPLICITA O IMPLICITA, COMPRESO OGNI GARANZIA DI MERCANTABILITÀ O IDONEITÀ PER SCOPI PARTICOLARI.**

IL RICORSO QUI STABILITO È IL RICORSO ESCLUSIVO PER OGNI RECLAMO DI GARANZIA, E NESSUN ALTRO DANNO, COMPRESI DANNI DERIVANTI DALL'INTERRUZIONE DELLE ATTIVITÀ COMMERCIALI O PERDITA DI UTILI O REDDITI, MATERIALI, ECONOMIE ANTICIPATE, DATI, CONTRATTO, AVVIAMENTO O QUALCOSA DI SIMILE (CHE SIA DIRETTO O INDIRETTO DI NATURA) O QUALSIASI ALTRO TIPO DI DANNO INCIDENTALE O INDIRETTO SARÀ COPERTO. LA RESPONSABILITÀ CUMULATIVA MASSIMA DEL VENDITORE RELATIVA AD OGNI ALTRO RECLAMO È

- El catéter Nykanen deberá utilizarse con el cable conector del catéter de BMC. Su uso con otros cables conectores puede comportar la electrocución del paciente o del operador.
- El Connector Cable solo se debe utilizar con el BMC RFP-100A Generator y con dispositivos de RF compatibles autorizados separadamente. Su uso con otros generadores y dispositivos de RF puede causar la electrocución del paciente y/o del operador.
- La punta activa del catéter Nykanen es frágil. Tenga cuidado de no dañar la punta mientras manipula el catéter. Si la punta resulta dañada, deseche inmediatamente el catéter.
- Si la punta activa del catéter se dobla en el transcurso de su uso, deseche inmediatamente el catéter. No intente enderezar la punta activa.
- Para RFP-100: No intente perforar con una configuración de potencia inicial superior a los 10 vatios. El intento inicial debería hacerse con una configuración de 10 vatios. En posteriores intentos puede aumentarse la configuración de la potencia si es necesario.
- Los dispositivos implantados, tales como los marcapasos, pueden verse afectados durante la salida de RF. Se debe obtener, según sea necesario, asesoramiento cualificado a fin de minimizar el riesgo de lesiones debidas a una falla de funcionamiento de un dispositivo implantado.
- La anatomía del paciente en particular así como la técnica del médico pueden exigir variaciones de procedimiento.
- El catéter de perforación por RF no está destinado a su uso con pacientes neonatales (menores de un mes de edad). No intente tratar a pacientes neonatales con el catéter.
- Una activación involuntaria o el desplazamiento del electrodo activado fuera del campo visual puede lesionar al paciente.

V. PRECAUCIONES

- No utilice el catéter Nykanen de perforación por radiofrecuencia ni su equipo auxiliar antes de leer detenidamente las instrucciones de uso que lo acompañan.
- Las intervenciones de perforación por radiofrecuencia deberán realizarse únicamente médicos perfectamente conocedores de las técnicas de uso del catéter de perforación por radiofrecuencia en un laboratorio de cateterización perfectamente equipado.
- Antes de su uso deberá inspeccionarse visualmente el envase para detectar posibles deterioros. Compruebe que el envase no esté dañado. No utilice el equipo si el envase está deteriorado.
- Inspeccione visualmente el catéter Nykanen para comprobar que no haya grietas ni daños en el material de aislamiento. No utilice el catéter en caso de que existan daños.
- No utilice el catéter Nykanen en una fecha posterior a la fecha de caducidad indicada en la etiqueta.
- El catéter Nykanen de perforación por radiofrecuencia se utilizará únicamente con los dispositivos enumerados en la sección VIII: "Equipo necesario".
- Lea y siga las instrucciones del fabricante para el uso del electrodo de almohadilla indiferente (dispersivo) desechable (DIP). Utilice siempre electrodos DIP que cumplan o superen los requisitos de la norma de la IEC 60601-2-2:2017.
- La colocación del electrodo dispersivo en el muslo puede relacionarse con una mayor impedancia.
- Para evitar el riesgo de ignición, compruebe que no haya material inflamable en la estancia durante la aplicación de la potencia de RF.
- Tome las precauciones necesarias para limitar los efectos de la interferencia electromagnética (EMI) producida por el generador en el rendimiento de otros equipos. Compruebe la compatibilidad y la seguridad de las combinaciones de otros aparatos eléctricos y de control fisiológico utilizados en el paciente además del generador.
- Durante las aplicaciones de la potencia de radiofrecuencia deberá utilizarse un filtrado adecuado para permitir un control continuo del electrocardiograma (ECG) de superficie.
- Manipule cuidadosamente el catéter para evitar daños cardíacos o taponamientos. El catéter debe desplazarse con la ayuda de una guía fluoroscópica. En caso de encontrar resistencia, NO fuerce el desplazamiento ni la retirada del catéter.
- No intente perforar hasta conseguir la colocación definitiva de la punta activa en el septo auricular.
- No active la RF mientras el extremo esté dentro de un catéter fabricado por una tercera parte (si se utiliza uno).
- No active la RF mientras la punta esté dentro de un dilatador, catéter o introductor de terceros.
- Se recomienda no hacer más de cinco (5) aplicaciones de radiofrecuencia por catéter Nykanen.
- No doble el Nykanen Radiofrequency Wire ni el Connector Cable. No doble el catéter Nykanen. Una flexión o un enroscado excesivo del cuerpo del catéter puede dañar la integridad del catéter y causarle lesiones al paciente. Debe prestarse la máxima atención a la manipulación del catéter. Se debe tener cuidado al manipular ambos dispositivos.
- El generador es capaz de suministrar una potencia eléctrica importante. Una manipulación indebida del catéter y del electrodo DIP puede producir lesiones al paciente o al operador, en especial cuando el dispositivo está en funcionamiento.
- Durante el suministro de potencia, el paciente no debería estar en contacto con las superficies metálicas de la toma de tierra.
- Una potencia de salida baja o un fallo en el funcionamiento del equipo a una configuración normal puede indicar una aplicación defectuosa del electrodo DIP, el fallo de un cable eléctrico o un escaso contacto de la punta activa con el tejido. Revise el equipo en busca de defectos o compruebe la incorrecta aplicación. Intente colocar mejor la punta del catéter Nykanen en el septo auricular. Aumente solamente la potencia si persiste la potencia de salida baja.
- Inspeccione regularmente y pruebe los cables y accesorios reutilizables.
- No intente insertar y usar el extremo proximal del Nykanen Radiofrequency Wire como punta activa.
- Baylis Medical Company confía en que el médico determine, valore y comunique a cada paciente todos los riesgos predecibles del sistema de perforación por radiofrecuencia de Baylis Medical.
- El Nykanen Radiofrequency Wire y el Connector Cable tienen una tensión nominal máxima de 400 rms.
- Jamás desconecte el Connector Cable del RFP-100A Generator mientras el generador esté entregando energía de RF.
- Jamás desconecte el Connector Cable del RFP-100A Generator tirando del cable. Si no se desconecta el cable correctamente, ello puede causar averías al cable.
- No retuerza el RFP-100A Connector Cable (un solo uso) mientras lo inserta o extrae del Isolated Patient Connector (Conector aislado para el paciente) del generador. Retorcer el cable puede dañar las clavijas del conector.
- No se recomienda usar el Connector Cable con cualquier otro generador de RF o cualquier otro dispositivo. El Nykanen Radiofrequency Wire y el BMC Catheter Connector Cable (cable conector para catéter de BMC) tienen una tensión nominal máxima de 400 rms.

VI. PRODUCT SPECIFICATIONS

Número de modelo	RFX-BAY-OTW-10-SU
Longitud total utilizable	10 pies (3m)

Copector del Generator	4 clavijas
Conector del dispositivo	Botón presionable

VII. REACCIONES ADVERSAS

Las reacciones adversas que pueden producirse con el uso del sistema de perforación por radiofrecuencia de Baylis Medical incluyen:

Fibrilación auricular	Taquicardia ventricular
Aleteo auricular	Punción del miocardio
Infarto de miocardio	Taponamiento
Arritmia sostenida	Muerte
Espasmo vascular	Taquicardia atrial
Episodio de embolización	Perforación y/o taponamiento cardíacos
Diseción/perforación vascular	Dolor y sensibilidad
Efusión pericárdica/pleural	Hemorragia
Hematoma	Sepsis/Infección/Inflamación
Conducción/bloqueo cardíaco	Pericarditis
Fibrilación ventricular (VF)	Infarto cerebral
Quemaduras de tejidos	

VIII. INSPECCIÓN ANTES DE SU USO

Antes de utilizar el sistema de perforación por radiofrecuencia de Baylis Medical, examine atentamente el generador de radiofrecuencia para perforación de BMC, el catéter Nykanen de perforación por radiofrecuencia y el cable conector del catéter de BMC, al igual que todo el equipo utilizado en el procedimiento, para comprobar que no haya daños ni defectos. Asegúrese de que los conectores y el Connector Cable no presenten averías visibles tales como decoloración, grietas, etiqueta ilegible, empalmes en el cable o retorcimientos. No utilice equipo averiado.

No utilice un equipo defectuoso. No reutilice el catéter Nykanen de perforación por radiofrecuencia.

IX. EQUIPO NECESARIO

Los procedimientos de perforación intracardiacos deberán realizarse en un entorno clínico especializado equipado con una unidad de fluoroscopia, una mesa radiográfica, un aparato de registro fisiológico, equipo de emergencia e instrumental para el acceso vascular. Los materiales auxiliares para realizar la perforación cardíaca incluyen:

- Generador de radiofrecuencia para perforación de BMC
- Cable conector del catéter de BMC (modelo RFP-101 para el uso con RFP-100 Generator, o RFX-BAY-OTW-10-SU para uso con RFP-100A Generator).
- Electrodo de almohadilla indiferente (dispersivo) desechable (DIP) que cumpla o supere los requisitos de la norma de la IEC 60601-2-2:2017 para electrodos electroquirúrgicos, tales como el electrodo tipo Polyhesive n.º E7506 de Valley Labs.
- Se recomienda utilizar el Nykanen Radiofrequency Wire con el Baylis Medical ProTrack™ Microcatéter (Modelo CIC 38-145).

X. CONFIGURACIÓN DEL SISTEMA

- Consulte las instrucciones de uso del generador de radiofrecuencia para perforación de BMC. Las instrucciones de uso describen los pasos a seguir para conectar el sistema, ajustar los parámetros y suministrar la potencia de radiofrecuencia.
- Deberá leer atentamente, comprender y seguir todas las instrucciones de los equipos. No hacerlo puede provocar complicaciones.

XI. ACOPLAMIENTO DEL ELECTRODO INDIFERENTE

- Retire el electrodo de almohadilla indiferente (dispersivo) desechable (DIP) del envase y sáquele el protector para que quede expuesta la superficie conductora del gel. Compruebe que la almohadilla esté húmeda y pegajosa al tacto antes de colocarla en el paciente. Un electrodo seco tendrá una capacidad de toma de tierra limitada.
- Coloque el electrodo DIP en una superficie dérmica bien vascularizada y convexa próxima al corazón. No coloque este electrodo en el muslo, ya que esta ubicación se asocia con una mayor impedancia (consulte la sección V: "Precauciones"). Evite tejidos con cicatrices, prominencias corporales, tejidos adiposos y zonas en las que puedan acumularse líquidos. Afeite, limpie y seque el lugar de la aplicación, si es necesario.
- Compruebe que se haya conseguido un excelente contacto en toda la zona del electrodo DIP. Si se suministra potencia de RF a un electrodo DIP con escaso contacto pueden producirse quemaduras.
- Enchufe el conector del electrodo DIP al puerto correspondiente del generador de radiofrecuencia para perforación de BMC, con arreglo a las instrucciones de uso del generador. Compruebe que el conector del electrodo DIP esté firmemente ajustado a la toma.

XII. INSTRUCCIONES DE USO

El catéter Nykanen de perforación por radiofrecuencia se inserta normalmente en la vena femoral y, a continuación, se coloca en la correspondiente cámara del corazón con la ayuda de una guía fluoroscópica. Una vez debidamente colocado, se suministrará potencia de radiofrecuencia a través del generador de RF para perforación de BMC. Esto conllevará la perforación del tejido cardíaco previsto.

Preparación de los dispositivos

- El catéter Nykanen se suministra esterilizado. Utilice una técnica aséptica cuando abra el envase y manipule el producto en el campo estéril.
- Antes de insertar el catéter Nykanen, es necesaria la medicación previa habitual para la cateterización cardíaca.
- El procedimiento puede hacerse percutáneamente a través de la vena femoral.
- Cuando el procedimiento siga una técnica percutánea, se utilizará un catéter guía para introducir el catéter Nykanen en el corazón hasta el lugar de perforación.
- Antes de proceder a la perforación, deberá registrarse la presión auricular tanto izquierda como derecha y determinar la saturación sistémica.
- El catéter Nykanen se introducirá en la aurícula derecha con la ubicación de la punta del catéter confirmada por el examen fluoroscópico.

Conexión del cable y el alambre

- Conecte el extremo del cable que tiene el conector del generador al puerto de conector aislado del paciente en el RFP-100A Generator, conforme a las instrucciones de uso del generador. El Connector Cable tiene un conector circular con muescas posicionadoras, para una alineación correcta. Alinee con suavidad las clavijas del conector con la toma y empuje hacia adentro hasta que el conector quede firmemente ajustado en la toma. Todo intento de conectar el cable de otra manera, dañará las clavijas del conector.
- No aplique fuerza excesiva al conectar el cable al generador. El uso de una fuerza excesiva podría dañar las clavijas del conector.
- Agarre firmemente el extremo del Connector Cable con una mano. Con el pulgar, presione el botón rojo situado en la parte superior del conector. Inserte lentamente el extremo proximal del Nykanen Radiofrequency Wire en la abertura del conector del Connector Cable. Una vez que la parte expuesta del extremo proximal del alambre deje de ser visible, suelte el botón rojo del conector. Tire suavemente del dispositivo para comprobar que tiene una conexión segura.
- Para desconectar el Nykanen Radiofrequency Wire del Connector Cable, presione el botón rojo del conector y extraiga suavemente el extremo proximal del Nykanen Radiofrequency Wire del cable conector.

- Para desconectar el Conector Cable del RFP-100A Generator, agarre firmemente el conector y extráigalo suavemente de la toma con un movimiento rectilíneo.

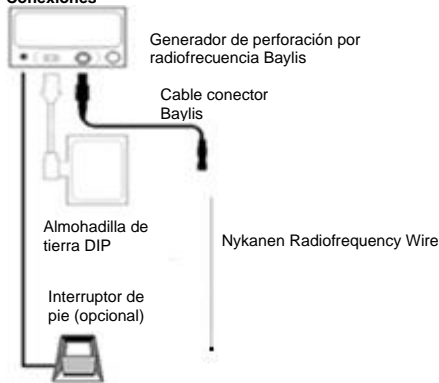
Posicionamiento del alambre

- Avanzar el Nykanen Wire de modo que el extremo activo se extienda más allá del extremo del catéter y haya contacto con el tejido objetivo. Una vez debidamente colocado, podrá suministrarse potencia de RF a la punta activa a través del generador de radiofrecuencia para perforación de BMC. Esto conllevará la perforación del tejido cardíaco previsto. Consulte las instrucciones de uso del generador antes de utilizar el generador.
- **NOTA: si la punta activa del catéter se dobla en el transcurso de su uso, deseche inmediatamente el catéter. No intente enderezar la punta activa.**

Para fornecer energía de RF

- **NOTA: Se recomienda que el usuario utilice la cantidad mínima de energía posible para una punción exitosa.**
- Para el RFP-100 Generator: Una configuración de potencia de 10 vatios ha demostrado ser suficiente en los ensayos para conseguir una perforación satisfactoria. No utilice una potencia inicial superior a 10 vatios.
- Para el RFP-100A Generator: Se recomienda un nivel inicial de un (1) segundo en modo "PULSE". En punciones subsiguientes, puede ajustarse la configuración de modo y tiempo si es necesario, a discreción del médico. No intente hacer punciones con una configuración de potencia inicial superior a "PULSE", un (1) segundo.
- Presione fuertemente el catéter Nykanen durante el procedimiento para desplazarlo satisfactoriamente a través del tejido.
- Interrumpa la alimentación de RF pulsando el botón RF ON/OFF del generador si no ha transcurrido el tiempo en su totalidad.
- Si no se consigue la perforación septal después de cinco (5) aplicaciones de RF, se recomienda proceder con un método alternativo.
- Una vez completada satisfactoriamente la perforación inicial, el catéter Nykanen debería poder desplazarse mecánicamente sin necesidad de ningún suministro de radiofrecuencia.
- La entrada en la aurícula izquierda puede confirmarse mediante el control fluoroscópico del catéter Nykanen. Una vez que se haya hecho avanzar el catéter guía por el catéter Nykanen, una pequeña inyección de medio de contraste indicará si el catéter guía se encuentra en la aurícula izquierda.
- Este es el momento de sacar el catéter Nykanen del paciente. La perforación debería ampliarse con la ayuda de unos métodos adecuados y autorizados de dilatación. Siga las instrucciones de uso para el usuario que acompañan a estos dispositivos.

Conexiones



XIII. INSTRUCCIONES DE LIMPIEZA Y ESTERILIZACIÓN

El Nykanen Radiofrequency Wire es para un solo uso y se suministra estéril. No limpie ni vuelva a esterilizar el dispositivo. Los dispositivos pueden ser considerados como estériles solo si el paquete no fue abierto o sufrió daños antes del uso.

XIV. ELIMINACIÓN DE RESIDUOS

El Nykanen Radiofrequency Wire (alambre de radiofrecuencia Nykanen) se debe tratar como un riesgo biológico, y ser descartado de conformidad con los procedimientos estándar del hospital.

XV. SERVICIO DE ATENCIÓN AL CLIENTE Y DEVOLUCIÓN DE LOS PRODUCTOS INFORMACIÓN

En caso de problemas o dudas sobre los equipos de Baylis Medical, póngase en contacto con nuestro personal de asistencia técnica.

Baylis Medical Company Inc.
5959 Trans-Canada Highway
Montreal, Quebec, Canada, H4T 1A1
Phone: (514) 488-9801 or (800) 850-9801
Fax: (514) 488-7209
www.baylismedical.com

NOTAS:

1. Para la devolución de los productos deberá tener un número de autorización para la devolución antes de enviar de nuevo los productos a Baylis Medical Company. En ese momento se le proporcionarán las Instrucciones para la Devolución del Producto.
2. Asegúrese de que se ha limpiado, descontaminado y/o esterilizado cualquier producto que se devuelva a Baylis Medical, según se indica en las Instrucciones para la Devolución del Producto, antes de devolverlo para el mantenimiento bajo garantía. Baylis Medical no aceptará ninguna pieza de equipo utilizado que no haya sido descontaminado o limpiado adecuadamente de acuerdo con las Instrucciones para la Devolución del Producto.

XVI. RESOLUCIÓN DE PROBLEMAS

La tabla que se muestra a continuación ayudará al usuario a diagnosticar posibles problemas.

PROBLEMA	COMENTARIOS	RESOLUCIÓN DEL PROBLEMA
----------	-------------	-------------------------

Mensajes de alerta/error en el generador	Para poder perforar satisfactoriamente un tejido utilizando la radiofrecuencia, deberá conectarse el sistema completo y todos los dispositivos deberán funcionar correctamente.	Compruebe las siguientes conexiones: - dispositivo de perforación al cable conector - cable conector al generador - generador a la salida de potencia - generador a la almohadilla de toma de tierra Inspeccione visualmente el cable y el catéter en busca de daños. Deseche inmediatamente cualquier equipo dañado. Si el problema persiste, interrumpa su uso. Para los mensajes de alerta/error aparecidos durante el intento de perforación, consulte el Manual del operador que acompaña al generador. Si el error persiste, acople un nuevo cable conector. Si el problema se soluciona, deseche el cable conector dañado.
El cable conector del catéter no se ajusta al conector aislado de paciente del panel frontal del generador	Los conectores se han diseñado para conectarse de una manera determinada por razones de seguridad. Si las "llaves" del conector no están alineadas, los conectores no se ajustarán entre sí.	Compruebe que las llaves del conector están alineadas y siguen la orientación correcta. Compruebe que los conectores están limpios y no obstruidos.

XVII. ETIQUETAJE Y SÍMBOLOS

	Fabricante
	Representante autorizado en la Comunidad Europea
	Estéril; Método de esterilización por medio de óxido de etileno
	Utilizar antes de
	Advertencia
	Siga las Instrucciones de Uso
	Número de catálogo
Rx ONLY	Las leyes federales estadounidenses restringen la venta de este aparato a médicos o según indicación médica.
	Uso único
	No volver a esterilizar
	Número de lote
	No usar si el paquete está dañado
	Mantener alejado de la luz del sol
	Únicamente para países miembro de la UE: Este símbolo indica que el producto debe ser desechado de un modo que cumpla las normativas locales y nacionales. Para preguntas relacionadas con el reciclaje de este dispositivo, contacte con su distribuidor
	No-pirrogénico
	À utiliser exclusivement avec des générateurs RFP produits par BMC
	Cinq (5) applications d'énergie RF maximum

XVIII. GARANTÍA LIMITADA – Desechables y accesorios

Baylis Medical Company Inc. (BMC) garantiza sus productos desechables y accesorios contra defectos de materiales y de mano de obra. BMC garantiza que los productos estériles permanecerán estériles durante el período de tiempo indicado en la etiqueta, siempre y cuando el paquete original permanezca intacto. Bajo esta Garantía Limitada, si cualquier producto cubierto resulta tener defectos de materiales o de mano de obra, BMC reemplazará o reparará,

a su única y absoluta discreción, dicho producto, salvo cualquier cargo a BMC por transporte y costos de mano de obra relacionados con la inspección, retiro o reaprovisionamiento del producto. El plazo de garantía es: (i) para los productos Desechables, la vida útil del producto, y (ii) para los productos Accesorios, 90 días a partir de la fecha de envío. La presente garantía limitada es válida únicamente para productos originales, entregados de fábrica, que han sido utilizados para sus usos normales y previstos. La Garantía Limitada de BMC no cubrirá los productos de BMC que hayan sido nuevamente esterilizados, reparados, alterados o modificados de manera alguna, y tampoco los productos de BMC que hayan sido almacenados, limpiados, instalados, operados o mantenidos inadecuadamente, en contradicción con las instrucciones de BMC.

DESCARGA DE RESPONSABILIDADES Y LIMITACIÓN DE RESPONSABILIDAD LA ANTERIOR GARANTÍA LIMITADA ES LA ÚNICA GARANTÍA PROPORCIONADA POR EL VENDEDOR. EL VENDEDOR RENUNCIA A CUALQUIER OTRA GARANTÍA, SEAN EXPRESAS O IMPLÍCITAS, INCLUYENDO CUALQUIER GARANTÍA DE MERCANTIBILIDAD O ADECUACIÓN PARA UN USO O PROPÓSITO EN PARTICULAR.

EL REMEDIO AQUÍ ESTABLECIDO SERÁ EL REMEDIO EXCLUSIVO DE CUALQUIER SOLICITUD DE GARANTÍA, Y LOS DAÑOS ADICIONALES, INCLUYENDO DAÑOS CONSIGUIENTES O DAÑOS POR INTERRUPTIÓN DE ACTIVIDADES COMERCIALES O PÉRDIDA DE INGRESOS, GANANCIAS, MATERIALES, AHORROS PREVISTOS, DATOS, CONTRATOS, BUENA VOLUNTAD O SIMILAR (YA SEA DE NATURALEZA DIRECTA O INDIRECTA) O POR CUALQUIER OTRA FORMA DE DAÑOS INDIRECTOS DE CUALQUIER TIPO, NO ESTARÁN DISPONIBLES. EL RESPONSABLE CUMULATIVA MÁXIMA DEL VENDEDOR SOBRE TODAS LAS DEMÁS DEMANDAS Y RESPONSABILIDADES, INCLUYENDO OBLIGACIONES BAJO CUALQUIER INDEMNIDAD, ESTÉ O NO ASEGURADA, NO EXCEDERÁ EL COSTO DE LOS PRODUCTOS QUE DEN PIE A LA DEMANDA O RESPONSABILIDAD. EL VENDEDOR RECHAZA TODA RESPONSABILIDAD RELATIVA A INFORMACIÓN O ASISTENCIA GRATUITA PROPORCIONADA POR, PERO NO REQUERIDA POR, EL VENDEDOR A CONTINUACIÓN. TODA ACCIÓN CONTRA EL VENDEDOR DEBERÁ PRESENTARSE EN EL TRANSCURSO DE DIECIOCHO (18) MESES DESPUÉS DE QUE SE ACUMULE LA CAUSA DE ACCIÓN. ESTAS DESCARGAS Y LIMITACIONES DE RESPONSABILIDAD SE APLICARÁN INDEPENDIENTEMENTE DE CUALQUIER OTRA DISPOSICIÓN CONTRARIA AL MISMO E INDEPENDIENTEMENTE DE LA FORMA DE ACCIÓN, YA SEA POR CONTRATO, AGRAVIO (INCLUYENDO NEGLIGENCIA Y RESPONSABILIDAD ECTRICA) O DE CUALQUIER OTRO MODO, Y ADEMÁS SE EXTENDERÁ AL BENEFICIO DE LOS AGENTES DEL VENDEDOR, ASÍ COMO SUS DISTRIBUIDORES OFICIALES Y CUALQUIER OTRO REVENDEDOR AUTORIZADO COMO BENEFICIARIOS DE TERCERAS PARTES. CADA DISPOSICIÓN DEL PRESENTE DOCUMENTO QUE PROPORCIONA UNA LIMITACIÓN DE RESPONSABILIDAD, DESCARGO DE RESPONSABILIDAD DE GARANTÍA O CONDICIÓN O EXCLUSIÓN DE DAÑOS ES SEPARABLE E INDEPENDIENTE DE CUALQUIER OTRA DISPOSICIÓN Y DEBERÁ SER APLICADA COMO TAL.

EN CUALQUIER DEMANDA O PLEITO POR DAÑOS CAUSADOS POR UN SUPUESTO INCUMPLIMIENTO DE GARANTÍA, INCUMPLIMIENTO DE CONTRATO, NEGLIGENCIA, RESPONSABILIDAD DEL PRODUCTO O CUALQUIER OTRA TEORÍA LEGAL O EQUIPARABLE, EL COMPRADOR ESPECÍFICAMENTE CONVIENE EN QUE BMC NO SERÁ RESPONSABLE POR DAÑOS O POR PÉRDIDA DE INGRESOS, YA SEA DEL COMPRADOR O LOS CLIENTES DEL COMPRADOR. LA RESPONSABILIDAD DE BMS SE LIMITARÁ AL COSTO DE ADQUISICIÓN DEL COMPRADOR DE LOS ARTÍCULOS ESPECÍFICOS VENDIDOS POR BMC AL VENDEDOR QUE DIERON PIE A LA DEMANDA DE RESPONSABILIDAD.

Ningún agente, empleado o representante de Baylis Medical tiene la autoridad de vincular a la Compañía a cualquier otra garantía, afirmación o representación respecto al producto.

Esta garantía es válida únicamente para el comprador original de productos de Baylis Medical directamente de un agente autorizado de Baylis Medical. El comprador original no puede transferir la garantía.

Se considerará que el uso de cualquier producto de BMC implica la aceptación de los términos o condiciones del mismo.

Los periodos de garantía de los productos de Baylis Medical son los siguientes:

Productos desechables	La vida útil del producto
Productos accesorios	90 días a partir de la fecha de envío

Português

Leia com atenção as instruções abaixo antes da utilização do material. Verifique todas as contra-indicações, avisos e precauções descritas nestas instruções. A não observância destes princípios pode causar complicações ao doente.

A Baylis Medical Company confia ao médico a tarefa de determinar, avaliar e comunicar a cada paciente individual todos os riscos previsíveis do procedimento.

I. DESCRIÇÃO DO EQUIPAMENTO

O Kit de Fio de Radiofrequências Nykanen é composto pelo Fio de Radiofrequências Nykanen e pelo Cabo Conetor Descartável Baylis (Cabo Conetor). O Cateter de Perfuração por RF Nykanen fornece energia de Radio-Frequência (RF) em modo monopolar entre o seu eléctrodo distal e o eléctrodo indiferente ou dispersivo (DIP) (placa de terra) disponível comercialmente, que esteja conforme os requisitos das normas IEC 60601-2-2:2017. O Cateter de Perfuração por RF está conectado a um Gerador de Radio-frequência Perfurante da BMC através de um Cabo Conetor BMC. O Cabo Conetor permite fornecer energia de RF ao Fio de Radiofrequências Nykanen a partir do Gerador de RF. A informação detalhada relativamente ao Gerador de Radio-frequência Perfurante da BMC está contida num manual separado que o acompanha (intitulado "Gerador de Radio-frequência Perfurante BMC"). Geradores compatíveis com a Cateter de Perfuração por RF Nykanen incluem o RFP-100 ou RFP-100A.

As dimensões críticas do Cateter Nykanen podem ser encontradas na etiqueta do dispositivo. O isolamento em Teflon do corpo do cateter facilita a introdução suave através dos cateteres guia, mantendo-se um diâmetro externo tão pequeno que permite ainda espaço suficiente para proceder a injeções de contraste através do cateter guia. A porção distal do Cateter Nykanen é flexível e a extremidade activa está desenhada de forma especial para ser traumática aos tecidos cardíacos excepto se for aplicada energia de RF.

As dimensões do Cabo Conetor podem ser consultadas no rótulo do dispositivo e na secção VI "Especificações do produto". O Cabo Conetor possui um conetor de quatro pinos numa extremidade que é ligado ao Gerador RFP-100A e um conetor na outra extremidade que é ligado ao Fio de Radiofrequências Nykanen. O cabo permite um comprimento máximo permitido de 3 metros.

II. INDICAÇÕES PARA UTILIZAÇÃO

EUA: O Nykanen Radiofrequency Wire destina-se a cortar e/ou coagular tecidos moles.

Canadá: O Cateter de Perfuração por RF Nykanen destina-se a criar uma comunicação interauricular.

União Europeia: O Cateter de Perfuração por RF Nykanen destina-se a criar uma comunicação interauricular. O Nykanen Radiofrequency Wire também tem como objectivo a criação de uma perfuração controlada no tecido do coração.

A utilização prevista do Cabo Conetor consiste na ligação do Gerador RFP-100A a dispositivos de RF compatíveis especificamente permitidos.

III. CONTRA-INDICAÇÕES

EUA: Não se recomenda a utilização do Nykanen Radiofrequency Wire em situações que não exijam o corte ou a coagulação de tecidos moles.

Canadá e na União Europeia: O Cateter de Perfuração por RF Nykanen não é recomendado para ser utilizado em qualquer outra situação que não seja a de criar uma comunicação interauricular.

IV. AVISOS

- O Cateter Nykanen é fornecido ESTÉRIL, sendo a esterilização realizada por um processo com óxido de etileno. Não usar se a embalagem se encontrar danificada.
- Tanto o pessoal do Laboratório como os doentes podem ser submetidos a exposições prolongadas de raios-X, durante os procedimentos de perfuração por radio-frequência, devido ao uso prolongado de fluoroscopia. Esta exposição pode causar lesão por exposição aguda a radiação bem como maior risco de alterações somáticas ou genéticas. Por isso, devem ser tomadas todas as medidas adequadas para minimizar esta exposição.
- O Fio de Radiofrequências Nykanen e o Cabo Conetor destinam-se apenas a uma utilização única por paciente. Não tente limpar, esterilizar ou reutilizar estes dispositivos.
- O Cateter Nykanen é para utilização única. Não tente esterilizar ou reutilizar o cateter. A reutilização pode causar lesão ao doente e/ou transmitir doenças infecciosas de um doente para outro. O não cumprimento pode resultar em complicações para o paciente.
- O Cateter Nykanen deve ser usado com o cabo Conetor BMC. Tente utilizá-lo com outro cabo de ligação pode provocar electrocussão do doente e/ou do operador.
- O Cabo Conetor apenas pode ser utilizado com o Gerador RFP-100A BMC e com dispositivos de RF compatíveis especificamente permitidos. A tentativa de utilizá-lo com outros geradores de RF e outros dispositivos pode provocar a electrocussão do paciente e/ou do operador.
- A extremidade activa do Cateter Nykanen é frágil. Tenha o cuidado de não danificar esta extremidade enquanto manipula o cateter. Se esta extremidade ficar danificada elimine o cateter de imediato e não o utilize.
- Se a extremidade activa do cateter se dobrar em qualquer altura do procedimento, elimine imediatamente o cateter. Nestas circunstâncias, não tente nunca endireitar a extremidade do cateter.
- RFP-100: Nunca tente fazer a perfuração septal com uma energia inicial superior a 10 watts. A primeira tentativa deve ser feita com uma energia de 10 watts. Para as tentativas subsequentes de perfuração a energia pode ser aumentada, se necessário.
- Durante a emissão de RF, podem ser afetados dispositivos implantados, como pacemakers. Deve ser procurado aconselhamento qualificado, conforme necessário, para minimizar o risco de ferimentos provocados por um funcionamento incorreto do dispositivo implantado.
- Podem existir variações nos procedimentos, dependendo da anatomia individual do paciente e da técnica do médico.
- O Cateter de Perfuração por RF não se destina a ser utilizado em doentes recém-nascidos (menos de 1 mês de idade). Não tente tratar recém-nascidos com este cateter.
- Uma ativação ou movimento inadvertidos do eléctrodo ativado fora do campo de visão pode provocar ferimentos no paciente.

V. PRECAUÇÕES

- Não tente nunca utilizar o Cateter Nykanen ou outros equipamentos similares antes de ler cuidadosamente as "Instruções de Utilização" que os acompanham.
- Os procedimentos de perfuração por Radio-frequência devem ser realizados apenas por médicos claramente treinados na técnica de perfuração por cateter de Radio-frequência e num laboratório de cateterismo completamente equipado.
- A embalagem estéril deve ser cuidadosamente inspeccionada antes da sua utilização para assegurar que não existe qualquer anomalia. Assure-se de que a embalagem não está danificada. Não use o equipamento se detectar qualquer dano ou anomalia na embalagem.
- Inspeccione o cateter antes de o utilizar. Não o use se detectar alguma anomalia.
- Não use o Cateter Nykanen depois da data "Use até" indicada na etiqueta.
- O Cateter Cateter Nykanen destina-se apenas a ser utilizado com os dispositivos listados na secção VII das Instruções em "Equipamento Necessário."
- Leia e siga as instruções do fabricante para a utilização de um eléctrodo indiferente ou dispersivo em penso transdérmico de descartável (placa de terra). Use sempre este eléctrodo de forma que cumpra ou exceda os requisitos das normas IEC 60601-2-2:2017. O eléctrodo indiferente ou dispersivo em penso transdérmico (placa de terra) descartável se for colocado na nádega terá uma maior impedância.
- Para prevenir o risco de incêndio assegure-se de que não se encontram presentes na sala materiais inflamáveis durante a aplicação de energia de RF.
- Tome as precauções necessárias para limitar os efeitos da interferência electromagnética produzida pelo Gerador noutros equipamentos. Verifique a compatibilidade e a segurança da utilização simultânea no doente de outros equipamentos de monitorização fisiológica ou eléctricos em associação com o Gerador.
- Deve utilizar-se um filtro adequado para a monitorização do electrocardiograma de superfície (ECG) durante as aplicações de radio-frequência.
- O cateter deve ser manipulado cuidadosamente para evitar lesão cardíaca ou tamponamento. A introdução do cateter deve ser feita sob fluoroscopia. Caso encontre resistência, NÃO utilize força excessiva para fazer avançar ou retirar o cateter.
- Não tente perfurar o septo enquanto não obtiver uma posição de contacto firme entre a extremidade distal activa do cateter e o septo interauricular.
- Não ative RF enquanto a ponta estiver dentro de um cateter de terceiros (se estiver a usar).
- Não ative as RF enquanto a ponta estiver próxima de um introdutor, dilatador ou cateter de outras marcas.
- Não se recomenda utilizar mais de cinco (5) descargas de radio-frequência pelo Cateter Nykanen.
- Não dobre o Cateter Nykanen. Dobrar excessivamente ou trilhar o revestimento do Cateter Nykanen pode danificar a integridade do cateter e causar lesão ao doente. Deve ser utilizado todo o cuidado durante a manipulação do cateter. Proceda com cuidado durante o manuseamento de ambos os dispositivos.
- O Gerador é capaz de emitir energia eléctrica significativa. Pode ocorrer lesão do doente ou do operador se o cateter ou o eléctrodo DIP forem utilizados incorrectamente, em particular durante a manipulação do dispositivo.
- Durante a descarga de energia o doente não deve estar em contacto com superfícies de metal.
- Aparente baixa potência ou a impossibilidade do equipamento funcionar adequadamente com os parâmetros normais pode significar uma incorrecta colocação do eléctrodo DIP (placa terra), falha num dos condutores eléctricos ou mau contacto da extremidade activa com o septo. Verifique se existem defeitos óbvios do equipamento ou má utilização do mesmo. Tente uma melhor posição da extremidade activa contra o septo interauricular. Aumente a potência da descarga apenas se persistir uma diminuição da intensidade da energia utilizada.
- Inspeccione e teste com regularidade os cabos conectores BMC.
- Não tente inserir nem utilizar a extremidade proximal do Fio de Radiofrequências Nykanen como a ponta activa. A Baylis Medical Company deposita confiança no operador médico para determinar, verificar e comunicar a cada doente todos os riscos previsíveis do Sistema de Perfuração da Baylis Medical.

- O Fio de Radiofrequências Nykanen e o Cabo Conetor têm uma tensão máxima nominal de 400 rms.
- Nunca desligue o Cabo Conetor do Gerador RFP-100A enquanto o Gerador está a fornecer energia de RF.
- Nunca desligue o Cabo Conetor do Gerador RFP-100A puxando pelo cabo. Uma desconexão incorreta do cabo pode provocar danos no mesmo.
- Não torça o Cabo Conetor RFP-100A (Descartável) enquanto o introduz ou remove do Conetor de Paciente Isolado no Gerador. Uma torção do cabo pode provocar danos nos conetores de pinos.

VI. Não se recomenda a utilização do Cabo Conetor com qualquer outro gerador de RF, nem com qualquer outro dispositivo.

PRODUCT SPECIFICATIONS	
Número do Modelo	RFX-BAY-OTW-10-SU
Comprimento Geral Utilizável	10 pés (3 m)
Conetor do Gerador	4 pinos
Conetor do dispositivo	Botão de pressão

VII. EVENTOS ADVERSOS

Podem ocorrer eventos adversos durante a utilização do Sistema de Perfuração de Radio-frequência e que podem incluir:

Fibrilhação Auricular	Taquicardia Ventricular
Flutter Auricular	Perfuração do miocárdio
Enfarte do Miocárdio	Tamponamento
Arritmias Mantidas	Morte
Espasmo dos vasos	Taquicardia atrial
Evento embólico	Perfuração e/ou tamponamento cardíaco
Dissecção/furo dos vasos	Dor e sensibilidade
Efusão pericárdica/pleural	Hemorragia
Hematoma	Sepsis/infeção/inflamação
Condução/bloqueio cardíaco	Pericardite
Fibrilhação ventricular (FV)	Enfarte cerebral
Queimadura de tecidos	

VIII. VERIFICAÇÃO ANTES DA UTILIZAÇÃO

Antes de utilizar o Sistema de Perfuração por Radio-frequência da Baylis Medical, deve examinar-se os seguintes componentes individuais verificando se estão estragados ou apresentando defeito: Gerador de Radio-frequência para Perfuração da BMC, o Cateter Nykanen de Radio-frequência e o Cabo Conetor de Cateter BMC. Assegure que os conetores e o Cabo Conetor não apresentam danos visíveis, como indícios de descoloração, fissuras, rótulo apagado, junções de cabo ou dobras. Não utilize equipamentos danificados. Não utilize equipamento defeituoso. Não reutilize o Cateter de Perfuração por Radio-frequência Nykanen.

IX. EQUIPAMENTO NECESSÁRIO

Os procedimentos de perfuração intracardiaca devem ser realizados em Centros Especializados e equipados com unidades de fluoroscopia, mesa de angiografia, polígrafo para registos hemodinâmicos, equipamento de emergência e material para aceder a acessos vasculares. O material específico necessário para realizar o procedimento de perfuração cardíaca inclui:

- Gerador de Radio-frequência Perfurante da BMC
- Cabo Conetor de Cateter BMC (Modelo RFP-101 para uso com RFP-100 Gerador, ou RFX-BAY-OTW-10-SU para uso com RFP-100A Gerador).
- Eléctrodo Indiferente (dispersível) transcutâneo descartável (DIP) que seja conforme ou exceda os requisitos das normas IEC 60601-2-2:2017 para eléctrodos cirúrgicos, como por exemplo o Valley Labs Polyhesive Electrode #E7506.
- Recomenda-se que utilize o Nykanen Radiofrequency Wire com o ProTrack™ Microcateter da Baylis Medical (Modelo CIC 38-145).

X. PREPARAÇÃO DO SISTEMA

- Por favor verifique as Instruções de Utilização do Gerador de Radio-frequência Perfurante BMC. Essas Instruções descrevem os passos a seguir para conectar o sistema, colocar os parâmetros, e administrar a energia de Radio-frequência.
- As Instruções de Utilização de todo o equipamento necessário devem ser lidas cuidadosamente, compreendidas, e seguidas. O não cumprimento desta determinação pode causar complicações.

XI. APLICAÇÃO DO ELÉCTRODO INDIFERENTE

- Retire o Eléctrodo Indiferente (dispersível) transcutâneo descartável (DIP) da embalagem e retire a cobertura posterior de modo a expor a superfície de gel condutor. Verifique se o eléctrodo está húmido e aderente ao tacto antes de o colocar no doente. Um eléctrodo seco terá uma capacidade de condução limitada.
- Coloque o eléctrodo DIP numa zona cutânea convexa, bem vascularizada que esteja em proximidade com o coração. Não coloque o eléctrodo na nádega, já que esta localização tem uma elevada impedância (ver secção V, "Precauções"). Evite tecido de cicatrização, proeminências do corpo, tecido adiposo, e áreas em que pode haver retenção de líquido. Retire os pêlos, limpe, e seque o local de aplicação na medida do necessário.
- Verifique se existe bom contacto em toda a área do eléctrodo DIP. Podem ocorrer queimaduras provocadas pela energia de RF quando esta é aplicada com o eléctrodo DIP com mau contacto.
- Ligue o conetor do eléctrodo DIP na saída apropriada do Gerador de RF conforme descrito nas Instruções de Utilização do Gerador. Assegure-se de que o conetor do eléctrodo DIP se encontra firmemente conectado na manga.

XII. ORIENTAÇÕES PARA UTILIZAÇÃO

O Cateter de Perfuração por Radio-frequência Nykanen é geralmente inserido pela veia femoral e seguidamente é posicionado na câmara cardíaca apropriada sob controle fluoroscópico. Quando o posicionamento apropriado for alcançado, a energia de radio-frequência é administrada através do Gerador de RF Perfurante BMC causando perfuração do tecido cardíaco alvo.

Para preparar os dispositivos

- O Cateter Nykanen é fornecido em embalagem estéril. Use uma técnica asséptica quando abrir a embalagem e manobre o material em campo esterilizado.
- Antes da introdução do Cateter Nykanen, deve ser administrada a pré-medicação habitual para cateterismo cardíaco, se necessário.
- O procedimento é realizado percutaneamente, via veia femoral.
- Quando o procedimento é realizado percutaneamente, deve utilizar-se um cateter guia para introduzir o Cateter Nykanen no local de perfuração dentro do coração.
- Antes de realizar o procedimento de perfuração, devem ser registadas as pressões das aurículas esquerda e direita, e a saturação sistémica deve também ser determinada.
- O Cateter Nykanen é introduzido na aurícula direita confirmando a localização da sua extremidade através de fluoroscopia.

Para ligar o cabo e o fio

- Ligue a extremidade do conetor do gerador do cabo à porta do conetor de paciente isolado no Gerador RFP-100A, de acordo com as Instruções de Utilização do Gerador. O Cabo Conetor utiliza um conetor circular, ajustado para um alinhamento correto. Alinhe cuidadosamente os pinos do conetor com a tomada e pressione até o conetor encaixar

firmemente na tomada. Qualquer tentativa de ligar o cabo de outra forma provocará danos nos pinos no conetor.

- Não utilize força excessiva ao ligar o cabo ao gerador. A utilização de força excessiva pode provocar danos nos pinos do conetor.
- Segure firmemente na extremidade do cabo do Cabo Conetor com uma mão. Utilizando o polegar, pressione o botão vermelho na parte superior do conetor. Lentamente, introduza a extremidade proximal do Fio de Radiofrequências Nykanen na abertura do conetor do Cabo Conetor. Quando a parte exposta da extremidade proximal do fio deixar de estar visível, solte o botão vermelho no conetor. Puxe cuidadosamente pelo dispositivo para garantir que a ligação está segura.
- Para desligar o Fio de Radiofrequências Nykanen do Cabo Conetor, pressione o botão vermelho no conetor e retire cuidadosamente a extremidade proximal do Fio de Radiofrequências Nykanen do cabo conetor.
- Para desligar o Cabo Conetor do Gerador RFP-100A, pegue firmemente no conetor e retire-o cuidadosamente da tomada.

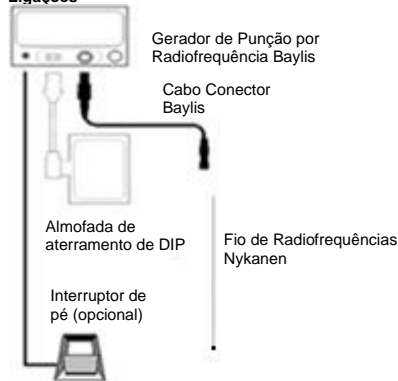
Para posicionar o fio

- Avance o Nykanen Wire para que a ponta ativa fique estendida para além da ponta do cateter e consiga alcançar o tecido alvo. Logo que tenha alcançado o local apropriado, poderá proceder à descarga de energia de Radio-frequência a partir do Gerador de Radio-frequência Perfurante da BMC na extremidade distal do cateter, o que causará a perfuração do tecido cardíaco alvo. Por favor verifique as "Instruções de Utilização" do Gerador antes de o utilizar.
- NOTA: Se a extremidade activa do cateter se dobrar em qualquer altura da sua utilização, inutilize o cateter de imediato. Não tente endireitar a extremidade activa dobrada.**

Para fornecer energia de RF

- NOTA: Recomenda-se que, o utilizador use o mínimo de energia para uma punção com êxito.**
- Para o Gerador RFP-100: Determinou-se experimentalmente que uma descarga de 10 Watts será suficiente para executar uma perfuração bem sucedida. Não utilize na descarga inicial uma potência superior a 10 Watts.
- Para o Gerador RFP-100A: Recomenda-se uma definição inicial de um (1) segundo no modo "PULSE". Nas punções subsequentes, as definições de modo e tempo podem ser ajustadas, se necessário, com base no parecer do médico. Não tente fazer a punção com uma configuração inicial de potência superior a "PULSE" de um (1) segundo.
- Aplique uma pressão firme ao Cateter Nykanen contra o septo interauricular durante a descarga de Radio-frequência para a poder avançar com sucesso o cateter através do tecido septal.
- A descarga de Radio-frequência pode ser interrompida pressionando o botão ON/OFF do Gerador se a duração da descarga não tiver terminado.
- Se a perfuração septal não foi eficaz após um total de cinco (5) descargas de Radio-frequência, aconselha-se o operador a prosseguir com outro método.
- Logo que se complete com sucesso a perfuração inicial, o Cateter Nykanen deve ser avançado sem qualquer descarga de Radio-frequência.
- A passagem para a aurícula esquerda pode ser confirmada controlando a posição do Cateter Nykanen por fluoroscopia, por injeção de contraste, e/ou obtendo curvas de pressão das cavidades.
- O Cateter Nykanen pode agora ser removido do doente. A perfuração deve ser alargada por métodos de dilatação apropriados e validados. Em conformidade as instruções de utilização desses equipamentos devem também ser seguidas.

Ligações



XIII. INSTRUÇÕES PARA LIMPEZA E ESTERILIZAÇÃO

O Fio de Radiofrequências Nykanen é um dispositivo de utilização única e é fornecido esterilizado. Não limpe nem reesterilize o dispositivo. Os dispositivos podem ser considerados esterilizados apenas se a embalagem não for aberta nem danificada antes da utilização.

XIV. ELIMINAÇÃO DE RESÍDUOS

Trate o Fio de Radiofrequências Nykanen como um material de risco biológico e elimine o mesmo de acordo com os procedimentos hospitalares padrão.

XV. SERVIÇO DE CLIENTES E INFORMAÇÃO PARA DEVOLUÇÃO DE PRODUTOS

Se tiver algum problema ou questões sobre os produtos da Baylis Medical contacte o nosso pessoal técnico de apoio.

Baylis Medical Company Inc.
5959 Trans-Canada Highway
Montreal, Quebec, Canada, H4T 1A1
Phone: (514) 488-9801 or (800) 850-9801
Fax: (514) 488-7209
www.baylismedical.com

NOTAS:

- Para devolver produtos à Baylis Medical Company deve obter um número de autorização de devolução antes de enviar o produto de volta. As instruções de devolução do produto ser-lhe-ão agora fornecidas.
- Certifique-se que qualquer produto a ser devolvido à Baylis Medical tenha sido limpo, descontaminado e/ou esterilizado tal como indicado nas Instruções de Devolução do Produto antes de o devolver ao serviço de garantia. A Baylis Medical não aceita qualquer peça de equipamento usado que não tenha sido limpa adequadamente ou descontaminada de acordo com as Instruções de Devolução.

XVI. RESOLUÇÃO DE PROBLEMAS

A seguinte tabela é fornecida para ajudar o utilizador a diagnosticar possíveis problemas.

PROBLEMA	COMENTÁRIOS	RESOLUÇÃO DE PROBLEMAS
Mensagens de Erro/Alerta do Gerador	Para que consiga realizar com sucesso a punção do tecido utilizando energia de radiofrequência, todo o sistema deverá estar conectado e todos os dispositivos devem estar em bom estado de funcionamento.	Assegure-se de que foram feitas todas as ligações: - dispositivo de punção ao cabo conector - cabo conector ao gerador - gerador à tomada elétrica - gerador à ligação terra Procure visualmente por danos no cateter/fio ou cabo. Descarte imediatamente qualquer equipamento danificado. Se o problema persistir, interrompa a utilização. Para mensagens de erro/alerta encontradas ao tentar realizar a punção, consulte o manual do operador que acompanha o Gerador. Se o erro persistir, conecte um novo cabo conector. Se o problema ficar resolvido, descarte o cabo conector danificado.
O Cabo conector não encaixa no Conector do Paciente Isolado no painel frontal do gerador	Os conectores foram concebidos para se ligarem de uma forma específica por razões de segurança. Se as «chaves» dos conectores estiverem desalinhas, os conectores não irão encaixar.	Verifique se as chaves dos conectores estão alinhadas na orientação correta. Assegure-se de que os conectores estão limpos e desobstruídos.

XVII. ETIQUETAR E SÍMBOLOS

	Fabricante
	Representante autorizado em la UE
	Esterilização com óxido de etileno
	Data de expiração
	Precauções
	Siga as Instruções de Utilização
	Número do modelo
Rx ONLY	Atenção: A lei federal norte-americana limita a venda deste dispositivo por um médico ou mediante a prescrição de um médico..
	Uso único
	Não reesterilizar
	Número de lote
	Não use se a embalagem tiver sido danificada.
	Mantenha longe da luz do sol.
	Somente para os países membros da UE: O uso deste símbolo indica que o produto deve ser eliminado de acordo com os regulamentos locais e nacionais. Caso tenha dúvidas sobre como reciclar este produto, por favor, comunique-se com o seu distribuidor
	Apirogénico
USE WITH: BMC RFP GENERATORS ONLY	Utilizar apenas com Geradores RFP BMC
POWER APPLICATIONS x5 MAX	Máximo de cinco (5) aplicações de energia de RF

XVIII. GARANTIA LIMITADA - Descartáveis e Acessórios

A Baylis Medical Company Inc. (BMC) garante que os seus produtos descartáveis e acessórios estão isentos de defeitos de materiais e de mão-de-obra. A BMC garante que os produtos esterilizados continuarão esterilizados durante o período indicado no rótulo, desde que a embalagem original permaneça intacta. Ao abrigo desta Garantia Limitada, se qualquer

produto coberto pela mesma apresentar defeitos de materiais ou mão-de-obra, a BMC efetuará a sua substituição ou reparação, de acordo com os seus critérios, mas a BMC não assumirá quaisquer custos de transporte e mão-de-obra relacionados com a inspeção, remoção e nova disponibilização em stock do produto. A duração da garantia aplica-se: (i) aos produtos descartáveis, durante a vida útil dos produtos e (ii) aos produtos acessórios, 90 dias a partir da data de envio dos mesmos. Esta garantia limitada aplica-se apenas aos produtos novos originais fornecidos de fábrica que tenham sido utilizados para a finalidade prevista normal. A Garantia Limitada da BMC não se aplica a produtos BMC que tenham sido de algum modo reesterilizados, reparados, alterados ou modificados e não se aplica a produtos BMC que tenham sido incorretamente armazenados, limpos, instalados, operados ou cuja manutenção não seja realizada segundo as instruções da BMC. **DECLARAÇÃO E LIMITAÇÃO DE RESPONSABILIDADE A GARANTIA LIMITADA ACIMA É A ÚNICA GARANTIA FORNECIDA PELO VENDEDOR. O VENDEDOR DECLARA QUE TODAS AS OUTRAS GARANTIAS, QUER EXPRESSAS OU IMPLÍCITAS, INCLUINDO QUALQUER GARANTIA DE COMPRA OU ADEQUAÇÃO PARA UTILIZAÇÃO OU PROPÓSITO.**

O REMÉDIO AQUI INDICADO DEVERÁ SER EXCLUSIVO PARA QUALQUER PEDIDO DE GARANTIA E PARA DANOS ADICIONAIS, INCLUINDO DANOS CONSEQUENCIAIS OU DANOS RELATIVOS À INTERRUPÇÃO DE NEGÓCIO OU PERDA DE LUCRO, OBTENÇÃO, MATERIAIS, GANHOS ANTECIPADAOS, DADOS, CONTRATO, BOA VONTADE OU OUTROS (QUER DE NATUREZA DIRECTA OU INDIRECTA) OU DEVIDO A QUALQUER OUTRA FORMA ACIDENTAL OU DANOS INDIRECTOS DE QUALQUER TIPO, NÃO DEVERÃO ESTAR DISPONÍVEIS. A RESPONSABILIDADE MÁXIMA DO VENDEDOR RELATIVA A TODAS AS OUTRAS QUEIXAS E RESPONSABILIDADES, INCLUINDO AS OBRIGAÇÕES RELATIVAS A QUALQUER INDEMNIZAÇÃO, ASSEGURADAS OU NÃO, NÃO IRÃO EXCEDER O CUSTO DO(S) PRODUTO(S) DANDO AZO À QUEIXA OU À RESPONSABILIDADE. O VENDEDOR REJEITA TODA E QUALQUER RESPONSABILIDADE RELATIVA A INFORMAÇÕES GRATUITAS OU ASSISTÊNCIA FORNECIDA A, MAS NÃO NECESSÁRIA PELO VENDEDOR AQUI REFERIDO. QUALQUER ACÇÃO CONTRA O VENDEDOR DEVERÁ SER REALIZADA DENTRO DOS DEZOITO (18) MESES SEGUINTE À ACÇÃO DE MAIS-VALIAS. ESTAS QUEIXAS E LIMITAÇÕES DE RESPONSABILIDADE IRÃO APLICAR-SE INDEPENDENTEMENTE DE QUALQUER OUTRA PROVISÃO CONTRÁRIA E INDEPENDENTEMENTE DA FORMA DA ACÇÃO, QUER EM CONTRATO, DIREITO (INCLUINDO NEGLIGÊNCIA E RESPONSABILIDADE ESTRITA) OU, CASO CONTRÁRIO, IRÁ ALARGAR O BENEFÍCIO DOS VENDEDORES, DISTRIBUIDORES INDICADOS E OUTROS REVENDORES AUTORIZADOS COMO BENEFICIÁRIOS DE TERCEIROS. CADA PROVISÃO QUE AQUI ESTEJA REFERIDA PARA UMA LIMITAÇÃO DE RESPONSABILIDADE, REJEIÇÃO DE GARANTIA OU CONDIÇÃO, EXCLUSÃO OU DANO FOR RESTRINGIDO E INDEPENDENTE DE QUALQUER OUTRA PROVISÃO A SER REFORÇADO COMO TAL.

EM QUALQUER QUEIXA OU PROCESSO RELATIVAMENTE A DANOS ADVINDOS DE QUALQUER QUEBRA DE GARANTIA, QUEBRA DE CONTRATO, NEGLIGÊNCIA, RESPONSABILIDADE DO PRODUTO OU QUALQUER OUTRA TEORIA EQUITATIVA OU LEGAL, O COMPRADOR ACORDA, ESPECIFICAMENTE, QUE A BMC NÃO DEVERÁ SER RESPONSÁVEL POR DANOS OU POR PERDA DE LUCROS, QUER DO COMPRADOR OU DOS CLIENTES DO COMPRADOR. A RESPONSABILIDADE DA BMC DEVERÁ LIMITAR-SE AO CUSTO DE COMPRA AO COMPRADOR DOS BENS ESPECIFICADOS VENDIDOS PELA BMC AO COMPRADOR QUE PODERÃO DAR AZO A PEDIDO DE RESPONSABILIDADE.

Nenhum agente, funcionário ou representante da Baylis Medical tem a autoridade de ligar a Empresa a qualquer outra garantia, afirmação ou representação relativa ao produto.

Esta garantia é válida apenas para a compra de produtos originais Baylis Medical directamente a partir de um agente autorizado Baylis Medical. O comprador original não poderá transferir a garantia.

A utilização de qualquer produto BMC deverá assumir a aceitação dos termos e condições aqui definidos.

Os períodos de garantia para produtos Baylis Medical são os seguintes:

Produtos Descartáveis	A vida de armazenamento do produto
Produtos Acessórios	90 dias a partir da data da entrega

Čeština

Před použitím výrobku si pečlivě přečtěte návod k použití. Dodržujte všechny kontraindikace, varování a upozornění uvedené v tomto návodu. V opačném případě může dojít u pacientů ke komplikacím.

Upozornění: Federální zákon (USA) omezuje prodej tohoto zařízení na lékaře nebo na jejich předpis.

Baylis Medical Company spoléhá na to, že veškerá předvídatelná rizika spojená s tímto postupem stanoví, posoudí a každému jednotlivému pacientovi sdělí lékař.

I. POPIS ZAŘÍZENÍ

Sada radiofrekvencního vodiče Nykanen sestává z radiofrekvencního vodiče Nykanen a jednorázového spojovacího kabelu Baylis (spojovací kabel). Radiofrekvencní katetr Nykanen vyvíjí radiofrekvencní (RF) energii v monopolárním režimu mezi svou distální elektrodou a komerčně dostupnou vnější disperzní samolepicí (DIP) elektrodou, která je v souladu s IEC 60601-2-2:2017. Katetr Nykanen je napojen na BMC radiofrekvencní punkční generátor přes BMC konektorový kabel katetru. Door middel van de aansluitkabel kan RF-energie van de RF-generator naar de Nykanen-radiofrequentieverdraad worden overgebracht. Podrobné informace o BMC radiofrekvencním generátoru jsou obsaženy v samostatném manuálu přiloženém ke generátoru (s názvem „Všeobecný návod k použití BMC radiofrekvencního generátoru“). Mezi generátory kompatibilní s Nykanen radiofrekvencním katetrem patří RFP-100 či RFP-100A.

Kritické rozměry Nykanen katetru lze nalézt na štítku zařízení. Teflonová izolace na těle katetru umožňuje plynulý postup pomocí vodičů katetrů, přičemž vnější průměr je dostatečně malý, aby zajistila dostatečný volný prostor pro injekci kontrastního roztoku přes vodič katetr. Distální část katetru Nykanen je pružná a aktivní hrot speciálně tvarovaný, aby byl atraumatický k srdeční tkáni, pokud se neaplikuje vysokofrekvenční energie.

Rozměry spojovacího kabelu jsou uvedeny na štítku prostředku v oddílu VI „Specifikace výrobku“. Spojovací kabel je na jednom konci vybaven čtyřkolkovým konektorem, který se zapojí do generátoru RFP100A, a na druhém konci dalším konektorem, jenž je určen k nasunutí na radiofrekvencní vodič. Maximální povolená délka kabelu jsou 3 metry.

II. INDIKACE PRO POUŽITÍ

USA: Radiofrekvencní katetr Nykanen je určen k řezání a/nebo koagulaci měkkých tkání.

Kanada: Radiofrekvencní katetr Nykanen je určen k vytvoření defektu septa siní v srdci. Evropská unie (EU): Radiofrekvencní katetr Nykanen je určen k vytvoření defektu septa siní v srdci. Radiofrekvencní katetr Nykanen je také určena k vytvoření řízené perforace v srdeční tkáni.

Spojovací kabel propojuje generátor RFP-100A a samostatně kompatibilní radiofrekvencní prostředky.

III. KONTRAIKACE

USA: Radiofrekvencní katetr Nykanen se nedoporučuje používat v případě stavů, které nevyžadují řezání nebo koagulaci měkkých tkání.

Kanada a EU: Radiofrekvencní katetr Nykanen se nedoporučuje používat v případě stavů, které nevyžadují vytvoření defektu septa siní.

IV. VAROVÁNÍ

- Nykanen katetr se dodává STERILNÍ pomocí ethylenoxidu. Nepoužívejte v případě poškození obalu.
- Pracovníci laboratoře a pacienti mohou být v průběhu radiofrekvenčních punkcí vystaveni v důsledku kontinuální použití fluoroskopického zobrazení významné expozici rentgenového záření. Tato expozice může mít za následek akutní poškození záření, jakož i zvýšené riziko somatických a genetických vlivů. Z tohoto důvodu musí být přijata příslušná opatření k minimalizaci této expozice.
- Radiofrekvenční vodič Nykanen a spojovací kabel jsou určeny k použití pouze u jednoho pacienta. Nesnažte se tyto prostředky vyčistit, sterilizovat a opětovně použít.
- Katetr Nykanen je určen k jednorázovému použití u jednoho pacienta. Nepokoušejte se jej sterilizovat a znovu použít. Opakované použití může způsobit poranění pacienta a/nebo přenos infekčního(ich) onemocnění od jednoho pacienta na druhého. V opačném případě může dojít u pacientů ke komplikacím.
- Katetr Nykanen musí být použit s BMC konektorovým kabelem katetru. Pokusy o použití s jinými konektory mohou vést k úrazu pacienta a/nebo obsluhy elektrickým proudem.
- Aktivní hrot katetru Nykanen je křehký. Dávejte pozor, aby nedošlo k poškození hrotu při manipulaci s katetrem. V případě, že dojde k poškození hrotu, katetr ihned vyhodte.
- Spojovací kabel se smí používat pouze s generátorem BMC RFP-100A a samostatně povolenými kompatibilními radiofrekvenčními prostředky. Pokud se pokusíte jej použít s jinými RF generátory a prostředky, může dojít k usmrcení pacienta a/nebo operátora elektrickým proudem.
- V případě, že se aktivní hrot katetru kdykoliv v průběhu použití ohne, okamžitě katetr vyhodte. Nepokoušejte se aktivní hrot narovnat.
- Pro RFP-100: Nepokoušejte se provést vpich s počátečním nastavením výkonu vyšším než 10 wattů. První pokus by měla být proveden s nastavením 10 wattů. V dalších pokusech lze nastavit vyšší výkon, je-li to nutné.
- Během aplikování RF může dojít k ovlivnění implantovaných zařízení jako například pacemakerů. V případě potřeby se za účelem minimalizace rizika poranění v důsledku špatného fungování implantovaného zařízení poraďte s odborníkem.
- Vzhledem k anatomii konkrétního pacienta a technice použité lékařem může být nutné uvedený postup změnit.
- RF perforační katetr není určen pro použití u novorozenců (do jednoho měsíce věku). Nepokoušejte se léčit novorozence pomocí katetru.
- Nenadále aktivování či pohyb aktivované elektrody mimo zorné pole může vést k poranění pacienta.

V. BEZPEČNOSTNÍ OPATŘENÍ

- Nepokoušejte se používat radiofrekvenční katetr Nykanen nebo pomocné zařízení před předchozím důkladným přečtením příloženého návodu k použití.
- Radiofrekvenční perforační postupy by měly provádět pouze lékaři důkladně proškolení v technických radiofrekvenčních punkcích v plně vybavené katetrizační laboratoři.
- Sterilní obal by se měl před použitím vizuálně zkontrolovat, aby se odhalilo jakékoliv případné poškození. Ujistěte se, že obal nebyl poškozen. V případě poškození obalu zařízení nepoužívejte.
- Katetr Nykanen před použitím vizuálně zkontrolujte a ujistěte se, že se neobjevují žádné trhliny nebo poškození izolačního materiálu. V případě jakékoliv poškození katetr nepoužívejte.
- Nepoužívejte katetr Nykanen po datu „spotřebujte do“ uvedeném na etiketě.
- Radiofrekvenční katetr Nykanen je určen pouze pro použití se zařízeními uvedenými v oddíle VIII, „požadované vybavení“.
- Přečtěte si a dodržujte pokyny výrobce pro používání disperzní elektrody DIP (Disposable Indifferent Dispersive Patch). Vždy používejte DIP elektrody, které splňují nebo převyšují požadavky IEC 60601-2-2:2017.
- Umístění disperzní elektrody na stehně může být spojeno s vyšší impedancí.
- Abyste zabránili nebezpečí vznícení, ujistěte se, že se v místnosti při aplikaci RF energie nevyskytuje hořlavý materiál.
- Učíte nezbytná opatření k omezení dopadů, které může mít elektromagnetické rušení (EMI) produkované generátorem na výkonost jiných zařízení. Zkontrolujte kompatibilitu a bezpečnost kombinace s dalšími přístroji na fyziologické monitorování a elektrickými přístroji kromě generátoru, které se mají na pacienta použít.
- Pro umožnění průběžného monitorování povrchového elektrokardiogramu (EKG) při aplikaci radiofrekvenční energie je třeba použít odpovídající filtrování.
- S katetrem je třeba manipulovat opatrně, aby se zabránilo poškození srdce nebo tamponády. Drát postup by mělo být provedeno pod fluoroskopií. V případě odporu, NEPOUŽÍVTE nadměrnou sílu pro postup či výmýtí katetru.
- Nepokoušejte se perforovat před dosažením pevné polohy aktivního hrotu proti septu siní.
- Neaktivujte RF, pokud je hrot v jakémkoliv katetru třetí strany (pokud jej používáte).
- Neaktivujte RF, pokud se hrot nachází v zavaděči, dilatátoru či katetru třetí strany.
- Doporučuje se nepřekročit pět (5) radiofrekvenčních aplikací na jeden katetr Nykanen.
- Neohýbejte radiofrekvenční vodič Nykanen ani spojovací kabel katetru Nykanen neohýbejte. Nadměrné ohýbání nebo kroucení hřídele katetru může vést k poškození celistvosti katetru a může dojít k poranění pacienta. Při manipulaci s katetrem je třeba dbát na opatrnost. Při manipulaci s oběma prostředky je třeba postupovat opatrně.
- Generátor je schopen dodávat značnou elektrickou energii. Při nesprávné manipulaci s drátem a DIP elektrodou, a to zejména při provozu zařízení, může dojít ke zranění pacienta či obsluhy.
- Během přenosu výkonu by pacient neměl přijít do styku s přizemním kovovým povrchy. Zjevně nízký výkon nebo nesprávné fungování zařízení při běžném nastavení může znamenat nesprávné použití DIP elektrody, selhání elektrického vedení, nebo špatný kontakt tkáně s aktivním hrotem. Zkontrolujte, zda se nevyskytují zjevné vady zařízení nebo nedošlo k nesprávnému použití. Pokus o lepší umístění hrotu katetru Nykanen proti síňovému septu. Pokud přetrvává nízký výkon, pouze zvýšte výkon.
- Pravidelně kontrolujte a testujte kabely a příslušenství na více použití.
- Nesnažte se vložit a použít proximální konec radiofrekvenčního vodiče Nykanen jako aktivní hrot.Baylis Medical Company spoléhá na lékaře, aby určili, posoudili a sdělili každému jednotlivému pacientovi všechna předvídatelná rizika Radiofrekvenčního perforačního systému Baylis Medical.
- Radiofrekvenční vodič Nykanen a spojovací kabel jsou dimenzovány pro maximální napětí 400 rms.
- Nikdy spojovací kabel neodpojujte od generátoru RFP-100A, zatímco generátor dodává RF energii.
- Nikdy spojovací kabel neodpojujte od generátoru RFP-100A tak, že za něj budete tahat. Pokud je kabel odpojen nesprávně, může dojít k jeho poškození.
- Zamezte zkroucení spojovacího kabelu RFP-100A (na jedno použití) při jeho zavádění nebo vyjímání do/z izolovaného konektoru pacienta u generátoru. Zkroucením kabelu může dojít k poškození kolkových konektorů.
- Nedoporučuje se spojovací kabel používat s žádným jiným RF generátorem ani žádným jiným prostředkem.

VI. PRODUCT SPECIFICATIONS

Číslo modelu	RFX-BAY-OTW-10-SU
--------------	-------------------

Celková užitečná délka	10 stop (3 m)
Konektor generátoru	4kolkový
Konektor prostředku	Tlačítko

VII. NEŽÁDOUCÍ UDÁLOSTI

Mezi nežádoucí události, které se mohou vyskytnout při používání Radiofrekvenčního perforačního systému Baylis Medical patří:

fibrilace siní	komorová tachykardie
Flutter siní	perforace myokardu
infarkt myokardu	tamponáda
trvalá arytmie	Smrt
Cévní spasmus	Předsíňová tachykardie
Embolie	Perforace a/nebo srdeční tamponáda
Rozřezání/propíchnutí cévy	Bolest a citlivost při tlaku
Perikardiální/pleurální efuze	Krvácení
Hematom	Sepsis/infekce/zánět
Konduktce/srdeční zástava Perikarditida	Ventrikulární fibrilace (VF)
Cévní mozková příhoda	Popálení tkáně

VIII. KONTROLA PŘED POUŽITÍM

Před použitím tohoto Radiofrekvenčního perforačního systému Baylis Medical je třeba jednotlivé komponenty včetně BMC radiofrekvenčního generátoru, radiofrekvenčního katetru Nykanen a BMC konektorového kabelu katetru pečlivě zkontrolovat pro možná poškození nebo vady stejně, jako by tomu mělo být u všech zařízení použitých v daném postupu. Ujistěte se, že konektory ani spojovací kabel nejsou viditelně poškozeny, tedy že nedošlo k vyblednutí barvy či štítku, prasklinám, slepení kabelu či jeho zauzlování. Nepoužívejte vybavení, je-li poškozeno. Nepoužívejte vadné zařízení. Radiofrekvenční katetr Nykanen po použití nepoužívejte znovu.

IX. POŽADOVANÉ VYBAVENÍ

Intrakardiální punkce by se měly provádět ve specializovaném klinickém prostředí vybaveném fluoroskopickou jednotkou, RTG stolem, fyziologickým rekordérem, nouzovým vybavením a vybavení pro zpřístupnění cév. K pomocným materiálům potřebným k provedení srdeční punkce patří:

- BMC radiofrekvenční generátor
- BMC konektorový kabel katetru (Model RFP-101 pro použití s RFP-100 generátorem nebo RFX-bay-OTW-10-su pro použití s RFP-100A generátorem)
- Jednorázová DIP (Disposable Indifferent Patch) elektroda, která splňuje nebo překračuje IEC 60601-2-2:2017 požadavky na elektrochirurgické elektrody, jako je Valley Labs Polyhesive elektroda # E7506.
- Doporučuje se používat radiofrekvenční katetr Nykanen s Baylis Medical ProTrack™ mikrokatectrem (Model CIC 38-145).

X. NASTAVENÍ SYSTÉMU

- Prostudujte prosím návod k použití BMC radiofrekvenčního generátoru. Návod na použití popisuje kroky pro připojení systému, nastavení parametrů a vysílání radiofrekvenční energie.
- Všechny návody k požadovaným vybavením je třeba pečlivě přečíst, pochopit a řídit se jimi. V opačném případě může dojít ke komplikacím.

XI. NASTAVENÍ INDIFFERENTNÍ ELEKTRODY

- Odstraňte jednorázovou DIP (Disposable Indifferent Patch) elektrodu z obalu a odlopněte zadní fólii z vodivého povrchu gelu. Před nalepením na pacienta zkontrolujte, zda je polštářek vlhký a lepkavý. Suchá elektroda bude mít omezenou možnost uzemnění.
- Umístěte DIP elektrody na dobře vaskularizovaný konvexní povrch kůže v těsné blízkosti srdce. Nepokládejte tuto elektrodu na stehno, protože je spojeno s vyšší impedancí (viz oddíl V „Bezpečnostní opatření“). Vyhněte se zjizvené tkáni, tělesným výčelnkům, tukové tkáni a oblastem, kde se může hromadit tekutina. Místo aplikace podle potřeby. Oholte, vyčistěte a osušte.
- Zkontrolujte, že po celé ploše DIP elektrody lze dosáhnout vynikajícího kontaktu. V případě, že se na elektrodu se špatným kontaktem dostane RF proud, může dojít k popáleninám.
- Zapojte konektor DIP elektrody do příslušného portu na BMC RF generátoru dle návodu k použití. Ujistěte se, že konektor DIP elektrody je pevně zasunut do zásuvky.

XII. NÁVOD K POUŽITÍ

Radiofrekvenční katetr je obvykle vložen do stehenní žíly a pak se umístí do příslušné komory srdce pod fluoroskopickým vedením. Po dosažení vhodné polohy je radiofrekvenční energie dodávána přes BMC RF punkční generátor. To má za následek punkci v cílené srdeční tkáni.

Připrava prostředků

- Katetry Nykanen jsou dodávány sterilní. Při otevření balení a manipulaci s výrobkem použijte aseptickou techniku ve sterilním poli.
- Před vložením katetru Nykanen je obvykle nezbytná premedikace pro srdeční katetrizaci.
- Tento postup lze provést perkutánně přes femorální žílu.
- Pokud se postup provádí perkutánní technikou, používá se k zavedení katetru Nykanen do srdce na místě vpichu vodič katetr.
- Před punkcí je třeba zaznamenat tlak v levé i pravé siní a určit systémovou saturaci.
- Katetr Nykanen se zavede do pravé síně, přičemž umístění hrotu potvrdí fluoroskopické vyšetření.

Zapojení kabelu a vodiče

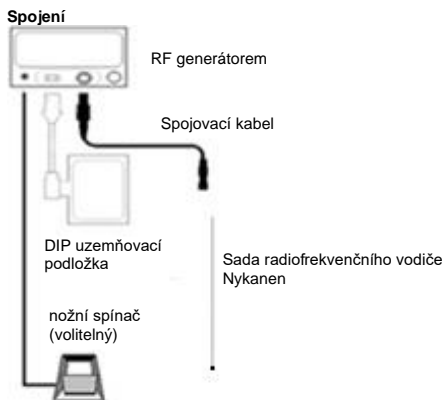
- Zapojte konec kabelu generátoru, na němž se nachází konektor, do izolovaného konektorového portu pacienta u generátoru RFP-100A v souladu s návodem k použití týkajícím se generátoru. Spojovací kabel je vybaven kulatým konektorem uzpůsobeným ke správnému připojení. Opatrně přiložte kolk konektoru ke zdířce a zatlačte na něj, dokud konektor pevně nezapadne do zdířky. Pokud se pokusíte kabel zapojit jiným způsobem, dojde k poškození kolků konektoru.
- Nezapojte kabel do generátoru přílišnou silou. Mohli byste tak poškodit kolkový konektor.
- Pevně uchopte konec spojovacího kabelu jednou rukou. S použitím palce stiskněte červené tlačítko v horní části konektoru. Pomalu zasuňte proximální konec radiofrekvenčního vodiče Nykanen do otvoru v konektoru spojovacího kabelu. Když už není odkrytá část proximálního konce vodiče viditelná, uvolněte červené tlačítko na konektoru. Jemně zatáhněte za prostředek, abyste si ověřili, že je spojený pevně.
- Radiofrekvenční vodič Nykanen ze spojovacího kabelu odpojte tak, že stisknete červené tlačítko na konektoru a opatrně vyjmete proximální konec radiofrekvenčního vodiče Nykanen ze spojovacího kabelu.
- Spojovací kabel se odpojuje od generátoru RFP-100A tak, že se pevně uchopí konektor a mírně se za něj potáhne rovně od zdířky.

Umístění vodiče

- Posunujte katetr Nykanen tak, aby aktivní hrot přesahoval přes špičku katetru a působil na cílovou tkáň. Po dosažení vhodné polohy je radiofrekvenční energie dodávána přes BMC RF punkční generátor do aktivního hrotu. To má za následek punkci v cílené srdeční tkáni. Před použitím generátoru si prosím přečtěte návod k použití generátoru.
- POZNÁMKA: V případě, že se aktivní hrot katetru Nykanen kdykoliv v průběhu jeho použití ohne, okamžitě jej vyhodte. Nepokoušejte se aktivní hrot narovnat.**

Dodání radiofrekvenční energie

- **POZNÁMKA: Doporučuje se, aby uživatel používal nejmenší množství energie pro dosažení požadované punkce.**
- Pro RFP-100: Nastavení výkonu 10 wattů byla experimentálně stanovena jako dostačující pro úspěšnou punkci. Nepoužívejte počáteční nastavení výkonu vyšší než 10 wattů.
- Pro RFP-100A: Doporučuje se počáteční nastavení jedné (1) sekundy v režimu „Pulse“. V následujících punkcích lze nastavení režimu a času v případě potřeby upravit na základě uvážení lékaře. Nepokoušejte se provádět punkci s počátečním nastavením vyšší než jedna (1) sekunda v režimu „Pulse“.
- V průběhu procedury je třeba aplikovat na katetr Nykanen pevný tlak, aby úspěšně postupoval přes tkáň.
- V případě, že časovač ještě neskončil, lze RF proud lze zastavit stisknutím tlačítka RF ON/OFF na generátoru.
- Pokud se septální defekt nezdaří po pěti (5) RF aplikacích, je doporučeno, aby uživatel pokračoval alternativní metodou.
- Po úspěšném dokončení úvodní punkce by měl katetr Nykanen postupovat mechanicky bez jakéhokoliv radiofrekvenčního proudu.
- Vstup do levé síně lze potvrdit sledováním katetru Nykanen pod fluoroskopií. Jakmile vodící katetr postupí přes katetr Nykanen, malá injekce kontrastní látky indikuje, že se vodící katetr nachází v levé sině.
- Katetr Nykanen lze nyní z pacienta odstranit. Punkce by se poté měla rozšířit jakoukoliv vhodnou, schválenou dilatační metodou. Měly by se dodržovat příslušné pokyny pro uživatele dodávané s těmito různými zařízeními.



XIII. PRODUKTY NA JEDNO POUŽITÍ

Radiofrekvenční vodič značky Nykanen je jednorázový a je dodáván sterilní. Prostředek nečistíte a opětovně nesterilizujete. Prostředek lze považovat za sterilní pouze tehdy, nebyl-li před použitím otevřen či poškozen obal.

XIV. ODSTRAŇOVÁNÍ ODPADŮ

Nakládejte s radiofrekvenčním vodičem Nykanen jako s materiálem představujícím biologické nebezpečí a zneškodněte ho v souladu se standardními nemocničními postupy..

XV. CUSTOMER SERVICE AND PRODUCT RETURN INFORMATION

Pokud máte jakékoli problémy nebo dotazy týkající se zdravotnického zařízení Baylis, kontaktujte naše pracovníky technické podpory.

Baylis Medical Company Inc.
5959 Trans-Canada Highway
Montreal, Quebec, Canada, H4T 1A1
Phone: (514) 488-9801 or (800) 850-9801
Fax: (514) 488-7209
www.baylismedical.com

OPMERKINGEN:

1. Abyste mohli produkty vrátit, musíte mít před odesláním produktů zpět společnosti Baylis Medical Company číslo autorizace pro vrácení. Nyní vám budou poskytnuty pokyny k vrácení produktu
2. Před vrácením do záručního servisu se ujistěte, že byl jakýkoli produkt vrácený společnosti Baylis Medical vyčištěn, dekontaminován a / nebo sterilizován, jak je uvedeno v Pokynech pro vrácení produktu. Společnost Baylis Medical nepřijme žádné použité zařízení, které nebylo řádně vyčištěno nebo dekontaminováno podle pokynů pro vrácení produktu.

XVI. ODSTRAŇOVÁNÍ POTÍŽÍ

Následující tabulka je uvedena jako pomoc uživateli při diagnostice potenciálních problémů.

PROBLÉM	KOMENTÁŘE	ODSTRAŇOVÁNÍ POTÍŽÍ
Výstražné / Chybové Zprávy Generátoru	Aby bylo možné úspěšně propíchnout tkáň pomocí radiofrekvenční energie, musí být připojen celý systém a všechna zařízení musí být v dobrém stavu.	Zajistěte, aby byla provedena všechna připojení: - propíchněte kabel do konektorového kabelu - propojovací kabel k generátoru - generátor do zásuvky - generátor k uzemňovací podložce Vizuálně zkontrolujte katétr / vodič nebo kabel, zda není poškozený. Poškozené zařízení okamžitě zlikvidujte. Pokud problém přetrvává, přestaňte jej používat. Informace o chybových / výstražných zprávách, které se vyskytly při pokusu o propíchnutí, naleznete v uživatelské příručce, která doprovází generátor. Pokud chyby přetrvávají, připojte nový kabel konektoru. Pokud se tím problém vyřeší, zlikvidujte poškozený kabel konektoru.
Kabel konektoru nezapadá do konektoru izolovaného pacienta na předním panelu generátoru	Konektory jsou navrženy tak, aby se z bezpečnostních důvodů připojily specifickým způsobem. Pokud jsou „klíče“ konektoru mimo linii, nebudou se konektory vzájemně spojit	Zkontrolujte, zda jsou konektorové klíče správně uspořádány. Zajistěte, aby konektory byly čisté a neomezené.

XVII. ETIKETOVÁNÍ A SYMBOLY

	Výrobce
	Autorizovaný zástupce pro EU
	Sterilní pomocí ethylenoxidu
	Spotřebujte do
	Pozor
	Dodržujte pokyny pro použití
	Číslo modelu
Rx ONLY	Upozornění: Federální zákon (USA) omezuje prodej tohoto zařízení na lékaře nebo na jejich předpis.
	Na jedno použití - Nepoužívejte opakovaně
	Nepoužívejte nesterilizujete.
	Číslo šarže
	V případě poškození obalu nepoužívejte.
	Udržujte mimo dosah slunečních paprsků
	Pouze pro členské státy EU: Použití tohoto symbolu znamená, že výrobek musí být zlikvidován způsobem, který je v souladu s místními a národními předpisy. Pro dotazy týkající se recyklace tohoto zařízení kontaktujte svého distributora
	Nepyrogní
USE WITH: BMC RFP GENERATORS ONLY	Určeno k použití pouze s generátory BMC RFP
POWER APPLICATIONS x5 MAX	Maximálně pět (5) radiofrekvenčních použití

XVIII. OMEZENÁ ZÁRUKA - produkty na jedno použití a příslušenství

Baylis Medical Company Inc. (BMC) poskytuje na své jednorázové výrobky a jejich příslušenství záruku proti vadám materiálu a zpracování. BMC zaručuje, že sterilní výrobky zůstanou sterilními po dobu uvedenou na štítku za předpokladu, že originální balení zůstane neporušeno. Pokud v rámci této omezené záruky bude u jakéhokoli výrobku, na něj se záruka vztahuje, prokázána vada materiálu či zpracování, společnost BMC podle svého uvážení jakýkoli takový výrobek vymění či opraví s odečtením všech poplatků, které BMC bude muset uhradit za přepravu, a nákladů na práci spojenou s kontrolou a odstraněním výrobku či doplněním zásob. Délka záruky: (i) u jednorázových výrobků doba skladovatelnosti výrobku a (ii) u příslušenství 90 dní od data odeslání. Tato omezená záruka se týká pouze nových originálních výrobků dodaných ze závodu, které byly použity pro běžné a zamýšlené účely. Omezená záruka firmy BMC se nevztahuje na výrobky značky BMC, které byly opětovně sterilizovány, opraveny, jakkoli upraveny či změněny, a také na výrobky značky BMC, jež nebyly řádně uskladněny či vyčištěny, instalovány, provozovány či servisovány v souladu s pokyny společnosti BMC.

ODMÍTNUTÍ A OMEZENÍ ODPOVĚDNOSTI

VÝŠE UVEDENÁ OMEZENÁ ZÁRUKA NAHOŘE JE JEDINOU ZÁRUKOU POSKYTOVANOU PRODAVÁJÍCÍM. PRODAVÁJÍCÍ SE ZŘÍKÁ VEŠKERÉ DALŠÍ ZÁRUKY, AŽ UŽ VÝSLOVNĚ NEBO PŘEDPOKLÁDÁNE, VČETNĚ JAKÉKOLIV ZÁRUKY PROJEKČNOSTI NEBO VHODNOSTI PRO KONKRÉTNÍ POUŽITÍ NEBO ÚČEL.

NÁPRAVNÁ OPATŘENÍ UVEDENÁ V TOMTO DOKUMENTU PŘEDSTAVUJÍ VÝHRADNÍ NÁPRAVNÁ OPATŘENÍ NA JAKÉKOLIV REKLAMACE ZA DALŠÍ ŠKODY, VČETNĚ NÁSLEDNÝCH, ČI ŠKODY JAKO PŘERUŠENÍ FUNKOVÁNÍ, UŠLÝ ZISK, PŘÍJMY, MATERIÁL, PŘEDPOKLÁDANÉ ÚSPORY, DATA, ZAKÁZKY, RENOMÉ A POD. (PŘÍMĚ ČI NEPŘÍMĚ POVAHY), NEBO JAKÉKOLIV JINÉ FORMY NÁHODNÉ NEBO NEPŘÍMĚ ŠKODY NEBUDOU MOŽNÉ. MAXIMÁLNÍ KUMULATIVNÍ ODPOVĚDNOSTI PRODEJCE ZA VŠECHNY OSTATNÍ POHLEDÁVKY A ZÁVAZKY, VČETNĚ POVINNOSTI ZE KTERÝCH VYPLÝVA JAKÉKOLIV ODSKODNĚNÍ, AŽ BYLO ČI NEBYLO POJIŠTĚNO, NEBUDE VYŠŠÍ NEŽ NÁKLADY NA PRODUKT(Y), JEŽ VEDLY KE VZNIKU POHLEDÁVKY NEBO ZÁVAZKU. PRODEJCE SE ZŘÍKÁ VEŠKERÉ ODPOVĚDNOSTI VE VZTAHU K JAKÉKOLIV BEZPLATNÉ INFORMACI ČI ASISTENCI OD PORDEJCE POSKYTOVANÉ, ALE NEVYŽADOVANÉ NA ZÁKLADĚ TĚTO SMLOUVY. VEŠKERÉ PŘÍPADNÉ KROKY PROTI PRODEJCI MUSÍ BYT PODÁNY DO OSMNÁCTI (18) MĚSÍCŮ PO ZJIŠTĚNÍ PŘIČIN. TATO VYLOUČENÍ A OMEZENÍ ODPOVĚDNOSTI BUDOU PLATIT BEZ OHLEDU NA JAKÁKOLIV OPAČNÁ USTANOVENÍ TOHOTO DOKUMENTU A OHLEDU NA FORMU AKCE, AŽ NA ZÁKLADĚ SMLOUVY, DELIKTU (VČETNĚ NEDBALOSTI A OBJEKTIVNÍ ODPOVĚDNOSTI) NEBO JINAK, A DÁLE BUDOU PLATIT I VE PROSPĚCH DODAVATELŮ PRODAVÁJÍCÍHO, JEHO DISTRIBUTORŮ A JINÝCH OPRAVNĚNÝCH PRODEJČŮ JAKO PŘÍJEMCŮ TŘETÍ STRANY. KAŽDÉ USTANOVENÍ TĚTO SMLOUVY, KTERÝ STANOVÍ OMEZENÍ ODPOVĚDNOSTI, VYLOUČENÍ ZÁRUKY NEBO PODMÍNKY NEBO VYLOUČENÍ ŠKOD JE ODDĚLITELNÉ A NEZÁVISLÉ NA JAKÉKOLIV JINÉM USTANOVĚNÍ A MÁ BYT VYKONÁNO JAKO TAKOVÉ.

V JAKÉKOLIV NÁROKU NEBO ŽALOBĚ NA NÁHRADU ŠKODY VYPLÝVAJÍCÍ Z ÚDAJNÉHO PORUŠENÍ ZÁRUČNÍCH PODMÍNEK, PORUŠENÍ SMLOUVY, NEDBALOSTI, ODPOVĚDNOST ZA VÝROBEK NEBO JAKÉKOLIV JINÉ PRÁVNÍ NEBO JUSTIČNÍ TEORII, KUPUJÍCÍ VÝSLOVNĚ SOUHLASÍ S TÍM, ŽE BMC NENESE ODPOVĚDNOST ZA ŠKODY NEBO ZA ZTRÁTU ZISKU, AŽ UŽ Z KUPUJÍCÍHO NEBO ZAKÁZNIKŮ KUPUJÍCÍHO. ODPOVĚDNOST BMC VŮČI KUPUJÍCÍMU BUDE OMEZENÁ NA KUPNÍ CENU URČITÝCH DRUHŮ VÝROBKŮ PRODAVANÝCH SPOLEČNOSTÍ BMC, KTERÉ VEDOU KE VZNIKU NÁROKU NA ODPOVĚDNOST.

Žádný zprostředkovatel, zaměstnanec nebo zástupce společnosti Baylis Medical nemá pravomoc zavazovat společnost k jakékoli jiné záruce, prohlášení nebo reprezentaci týkající se produktu.

Tato záruka platí pouze pro původního kupujícího lékařských výrobků Baylis Medical přímo od autorizovaného zprostředkovatele Baylis Medical. Původní kupující nemůže tuto záruku nijak převést.

Použití jakéhokoli produktu BMC se považuje za souhlas s podmínkami uvedenými v tomto dokumentu.

Záruční lhůty produktů Baylis Medical jsou následující:

Produkty na jedno použití	Doba použitelnosti produktu
Produktová příslušenství	90 dnů od data odeslání

Dutch

Neem alle instructies voorafgaand aan gebruik aandachtig door. Neem alle contra-indicaties, waarschuwingen en voorzorgsmaatregelen in deze instructies in acht. Als u dit niet doet, kan dit tot complicaties bij de patiënt leiden.

Let op: volgens de federale wetgeving van de VS mag dit instrument uitsluitend door of namens een arts worden verkocht.

Baylis Medical Company gaat ervan uit dat de arts alle te voorzien risico's van de procedure bepaalt, beoordeelt en aan elke individuele patiënt overbrengt.

I. BESCHRIJVING VAN HET HULPMIDDEL

De kit met de Nykanen-radiofrequentieverdraad bestaat uit de Nykanen-radiofrequentieverdraad en de Baylis-aansluitkabel voor eenmalig gebruik (aansluitkabel). De Nykanen RF-draad levert radiofrequente (RF) energie in een monopolaire modus tussen de distale elektrode en een commercieel verkrijgbare externe Disposable Indifferent (neutrale) Patch (DIP) elektrode, die voldoet aan de IEC 60601-2-2:2017. De Nykanen-draad wordt aangesloten op de BMC RF-punctiegenerator via de aansluitkabel van de BMC-katheter. Spojovací kabel umožňuje dodávání radiofrekvenční energie z radiofrekvenčního generátoru do radiofrekvenčního vodiče Nykanen. Er kan bij de kabel gebruik worden gemaakt van een toegestane maximale lengte van 3 meter. Uitgebreide informatie over de BMC RF-punctiegenerator vindt u in een afzonderlijke handleiding die met de generator wordt meegeleverd (genaamd "Gebruiksaanwijzing voor de BMC RF-punctiegenerator"). Generatoren die compatibel zijn met de Nykanen RF-draad zijn onder andere de RFP-100 of de RFP-100A. De kritieke afmetingen van de Nykanen-draad vindt u op het apparaatlabel. De Teflon-isolatie op de draad zorgt ervoor dat hij soepel door geleidekatheters kan worden gevoerd, terwijl de omtrek klein genoeg is om voldoende ruimte te bieden om contrastvloeistof door de geleidekatheter te injecteren. Het distale gedeelte van de Nykanen-draad is flexibel en de actieve tip is speciaal vormgegeven om atraumatisch te zijn voor het hartweefsel, tenzij er RF-energie wordt toegepast.

De afmetingen voor de aansluitkabel zijn te vinden op het etiket van het hulpmiddel en in onderdeel VI "Productspecificaties". De aansluitkabel heeft een vierpinsaansluiting aan het ene uiteinde die past op de RFP-100A-generator en een aansluiting aan het andere uiteinde die past op de Nykanen-radiofrequentieverdraad. Er kan bij de kabel gebruik worden gemaakt van een toegestane maximale lengte van 3 meter.

II. GEBRUIKERSINDICATIES

Verenigde Staten: De Nykanen RF-draad is bedoeld om zacht weefsel te snijden en/of coaguleren.

Canada: De Nykanen RF-draad is bedoeld om een atriumseptumdefect in het hart te maken.

Europese Unie (EU): De Nykanen RF-draad is bedoeld om een atriumseptumdefect in het hart te maken. De Nykanen RF-draad is tevens bedoeld om een gecontroleerde perforatie in het hartweefsel te maken.

Het is de bedoeling dat de aansluitkabel wordt gebruikt voor het verbinden van de RFP-100A-generator met afzonderlijk goedgekeurde compatibele RF-hulpmiddelen.

III. CONTRA-INDICATIES

Verenigde Staten: De Nykanen RF-draad wordt niet aanbevolen voor gebruik onder omstandigheden waarin er geen zacht weefsel gesneden of coaguleerd hoeft te worden.

Canada en de EU: De Nykanen RF-draad wordt niet aanbevolen voor gebruik onder omstandigheden waarin er atriumseptumdefect gemaakt hoeft te worden.

IV. WAARSCHUWINGEN

- De Nykanen-draad wordt gesteriliseerd met ethyleenoxide en STERIEL geleverd. Niet gebruiken als de verpakking is beschadigd.
 - Laboratoriummedewerkers en patiënten kunnen worden blootgesteld aan röntgenstraling tijdens RF-punctieprocedures als gevolg van het voortdurende gebruik van fluoroscopische beeldvorming. Deze blootstelling kan resulteren in acuut stralingsletsel en een verhoogd risico op somatische en genetische effecten. Derhalve moeten er adequate maatregelen worden genomen om deze blootstelling te minimaliseren.
 - De Nykanen-radiofrequentieverdraad en de aansluitkabel zijn uitsluitend bedoeld voor gebruik bij één patiënt. Ga er niet toe over om deze hulpmiddelen te reinigen, steriliseren en opnieuw te gebruiken.
 - De Nykanen-draad is uitsluitend bedoeld voor gebruik door één patiënt. Probeer de draad niet te steriliseren en opnieuw te gebruiken. Opnieuw gebruiken kan letsel bij de patiënt veroorzaken en/of er kunnen besmettelijke ziektes van patiënt naar patiënt worden overgebracht. Als u dit niet doet, kan dit tot complicaties bij de patiënt leiden.
 - De Nykanen-draad moet gebruikt worden met de aansluitkabel van de BMC-katheter. Pogen om de draad te gebruiken met andere aansluitkabels kunnen resulteren in elektrocutie van de patiënt en/of operator.
 - De aansluitkabel mag alleen worden gebruikt met de RFP-100A-generator van BMC en afzonderlijk goedgekeurde compatibele RF-hulpmiddelen. Als de aansluitkabel met andere RF-generatoren en RF-hulpmiddelen wordt gebruikt, kan dat resulteren in elektriseren of elektrocutie van de patiënt en/of de gebruiker.
 - De actieve tip op de Nykanen-draad is kwetsbaar. Zorg ervoor dat u de tip niet beschadigt tijdens gebruik van de draad. Als de tip beschadigd raakt, gaat u de draad onmiddellijk weg.
 - Als de actieve tip van de draad tijdens gebruik wordt gebogen, gaat u de draad onmiddellijk weg. Probeer de actieve tip niet terug te buigen.
 - Voor RFP-100: Probeer geen punctie te maken met een eerste vermogensinstelling van meer dan 10 Watt. De eerste poging moet gedaan worden met een instelling van 10 Watt. Hierna mag het vermogen, indien nodig, verhoogd worden.
 - Toediening van RF-energie kan van invloed zijn op geïmplanteerde hulpmiddelen, zoals een pacemaker. Er dient al naargelang nodig deskundig advies te worden verkregen om het risico op letsel vanwege het niet goed functioneren van een geïmplanteerd hulpmiddel tot een minimum te beperken.
 - Het kan nodig zijn om de uitvoering van de procedure aan te passen op grond van de anatomie van de individuele patiënt of de persoonlijke techniek van de arts.
 - De RF-punctiedraad is niet bedoeld voor gebruik met neonatale patiënten (jonger dan één maand). Probeer neonatale patiënten niet met de draad te behandelen.
 - Onbedoelde activatie of verplaatsing van de geactiveerde elektrode buiten het gezichtsveld kan in letsel bij de patiënt resulteren.
- ### V. VOORZORGSMAATREGELEN
- Probeer de Nykanen RF-draad of randapparatuur niet te gebruiken voordat u de bijgesloten gebruiksaanwijzing aandachtig heeft doorgenomen.
 - RF-punctieprocedures mogen uitsluitend door artsen worden uitgevoerd die goed getraind zijn in de techniek van RF-aangedreven puncties in een volledig uitgerust laboratorium voor katheterisatie.
 - De steriele verpakking moet voorafgaand aan gebruik visueel gecontroleerd worden op beschadigingen. Controleer of de verpakking niet is beschadigd. Gebruik het hulpmiddel niet als de verpakking is beschadigd.
 - Controleer de Nykanen-draad voorafgaand aan gebruik visueel op breuken en beschadigd isolatiemateriaal. Gebruik de draad niet als er sprake is van schade.
 - Gebruik de Nykanen-draad niet na de "te gebruiken tot datum" weergegeven op het label.
 - De Nykanen RF-draad is uitsluitend bedoeld voor gebruik met de hulpmiddelen die in sectie VII "Benodigde apparatuur" staan vermeld.
 - Lees en volg de gebruiksaanwijzing van de fabrikant voor de Disposable Indifferent (neutrale) Patch (DIP) elektrode. Gebruik altijd DIP-elektrodes die voldoen aan de IEC 60601-2-2:2017 normen.
 - Plaatsing van de neutrale elektrode op de dij kan gepaard gaan met een hogere impedantie.
 - Om het risico op ontbranding te voorkomen, zorgt u ervoor dat het brandbare materiaal niet aanwezig is in de ruimte tijdens de toepassing van RF-vermogen.
 - Neem voorzorgsmaatregelen om de effecten te beperken die door de generator geproduceerde elektromagnetische interferentie (EMI) op de prestaties van andere apparatuur kan hebben. Controleer de compatibiliteit en veiligheid van combinaties van overige apparaten voor psychologische monitoring en elektrische apparaten die naast de generator op de patiënt gebruikt gaan worden.
 - Er moet adequaat gefilterd worden om het oppervlakte-elektrocardiogram (ECG) constant te kunnen monitoren tijdens RF-vermogensapplicaties.
 - De draad moet voorzichtig gehanteerd worden om hartschade of tamponade te voorkomen. Het inbrengen van de draad moet onder fluoroscopische begeleiding plaatsvinden. Als er weerstand wordt waargenomen, gebruik dan GEEN overmatige kracht om de draad in te brengen of te verwijderen.
 - Maak geen punctie totdat de tip op de juiste manier tegen de atriaal septum is geplaatst.
 - Activeer RF niet als de tip in een katheter van een derde partij zit (indien gebruikt).
 - Ga geen RF-energie toe dienen terwijl het uiteinde zich in een inbrenghuls, dilatator of katheter van een derde bevindt.
 - Het wordt aanbevolen om niet meer dan vijf (5) RF-vermogensapplicaties toe te passen per Nykanen-draad.
 - Voorkom dat de Nykanen-radiofrequentieverdraad en de aansluitkabel verbuigen. Beide hulpmiddelen moeten met voorzichtigheid worden behandeld. De Nykanen-draad niet buigen. Overmatig buigen of knikken van de draadschacht kan de integriteit van de draad in gevaar brengen en kan letsel bij de patiënt veroorzaken. De draad moet voorzichtig gebruikt worden.
 - De generator kan significant veel elektrische stroom leveren. De patiënt of operator kan letsel oplopen als de draad en/of DIP-elektrode onjuist wordt gehanteerd, met name tijdens gebruik van het hulpmiddel.
 - Tijdens de levering van energie mag de patiënt niet in contact komen met gemaakte metalen oppervlakken.
 - Een duidelijk laag uitgangsvermogen of als het hulpmiddel niet normaal functioneert bij normale instellingen, kan duiden op een foutieve applicatie van de DIP-elektrode, een storing in een elektrisch snoer, of slecht contact met het weefsel bij de actieve tip. Controleer op de voor de hand liggende defecten aan hulpmiddelen of verkeerde toepassingen. Probeer de tip van de Nykanen-draad beter tegen de atriaal septum te

- plaatsen. Verhoog het vermogen alleen als er sprake blijft van een laag uitgangsvermogen.
- Controleer en test herbruikbare kabels en accessoires regelmatig.
- Ga er niet toe over om het proximale uiteinde van de Nykanen-radiofrequentievoerdraad op te voeren en te gebruiken als het werkzame uiteinde.
- Baylis Medical Company vertrouwt erop dat de arts alle voorspelbare risico's van het Baylis Medical RF-punctiesysteem voor iedere individuele patiënt inschat, beoordeelt en communiceert.
- Het maximale voltage voor de Nykanen-radiofrequentievoerdraad en aansluitkabel is vastgesteld op 400 rms.
- Haal de aansluitkabel nooit uit de RFP-100A-generator terwijl de generator RF-energie levert.
- Haal de aansluitkabel nooit uit de RFP-100A-generator door aan de kabel te trekken. Als de kabel niet op gepaste wijze uit het apparaat wordt gehaald, kan de kabel daarbij beschadigd raken.
- Wringing van de aansluitkabel (eenmalig gebruik) niet terwijl die op de geïsoleerde patiëntaansluiting op de RFP-100A-generator wordt aangesloten of daar wordt uitgetrokken. Bij wringen van de kabel kunnen de pinnen van de aansluiting beschadigd raken.
- Het wordt afgeraden om de aansluitkabel met een andere RF-generator of een ander RF-hulpmiddel te gebruiken.

PRODUCT SPECIFICATIONS	
Modelnummer	RFX-BAY-OTW-10-SU
Algemene bruikbare lengte	10 feet (3m)
Generatoraansluiting	4-pens
Hulpmiddelaansluiting	Drukknop

VII. BIJWERKINGEN

Mogelijke bijwerkingen die tijdens het gebruik van het Baylis Medical RF-punctiesysteem kunnen optreden zijn:

Atriale fibrillatie	Ventriculaire tachycardie
Atriale flutter	Perforatie van het myocardium
Myocardinfarct	Tamponade
Aanhoudende aritmie	Overlijden
Vaatspasme	Atriale tachycardie
Embolisch voorval	Hartperforatie en/of harttamponade
Vaatissectie of vaatperforatie	Pijn en gevoeligheid
Pericardiale of pleurale effusie	Hemorragie
Hematoom	Sepsis / infectie / ontsteking
Hartgeleidingsstoornis of hartblok	Ventrikelfibrilleren (VF)
Pericarditis	Inwendige brandwonden
Cerebraal infarct	

VIII. CONTROLE VOORAFGAAND AAN GEBRUIK

Voorafgaand aan het gebruik van het Baylis Medical RF-punctiesysteem moeten de individuele componenten waaronder de BMC RF-punctiegenerator, de Nykanen RF-draad en de aansluitkabel van de BMC-katheter nauwkeurig gecontroleerd worden op schade en defecten, net als alle apparatuur die voor de procedure wordt gebruikt. Controleer de aansluitingen en de aansluitkabel op aanwezigheid van zichtbare schade, zoals verkleuring, barstjes, vervagen van het etiket, rafels of knikken. Gebruik geen beschadigde hulpmiddelen. Gebruik geen defecte apparatuur. De Nykanen RF-draad niet opnieuw gebruiken.

IX. BENODIGDE APPARATUUR

Intracardiale punctieprocedures moeten uitgevoerd worden in een speciale klinische setting met een fluoroscopie-apparaat, radiografische tafel, fysiologische recorder, noodapparatuur en instrumentatie voor vaattoegang. Overige materialen om deze hartpunctie uit te kunnen voeren zijn:

- BMC RF-punctiegenerator
- Aansluitkabel van de BMC-katheter (model RFP-101 voor gebruik met de RFP-100 generator of RFX-BAY-OTW-10-SU voor gebruik met de RFP-100A generator)
- Disposabele Indifferent (neutrale) Patch (DIP) elektrode die voldoet aan de IEC 60601-2-2:2017 normen voor elektrochirurgische elektrodes, zoals de Valley Labs Polyhesive Electrode nummer E7506.
- Het wordt aanbevolen om de Nykanen RF-draad te gebruiken met de Baylis Medical ProTrack™ microkatheter (model CIC 38-145).

X. HET SYSTEEM OPZETTEN

- Zie de algemene gebruiksaanwijzing van de BMC RF-punctiegenerator. In de gebruiksaanwijzing worden de te volgen stappen uitgelegd om het systeem aan te sluiten, parameters in te stellen en RF-vermogen te leveren.
- Alle instructies voor vereiste apparatuur moeten aandachtig doorgenomen, begrepen en gevolgd worden. Als u dit niet doet, kan dit tot complicaties leiden.

XI. DE NEUTRALE ELEKTRODE PLAATSEN

- Haal de Disposable Indifferent (neutrale) Patch (DIP) elektrode uit de verpakking en verwijder de achterkant van de verpakking om de geleidende gel tevoorschijn te halen. Controleer met een vinger of de pad vochtig en kleverig is voordat deze op de patiënt wordt geplaatst. Een droge elektrode hecht zich moeilijk aan de patiënt.
- Plaats de DIP-elektrode op een goed dooraderd bol huidoppervlak vlakbij het hart. Plaats deze elektrode niet op de dij, aangezien deze locatie geassocieerd wordt met een hogere impedantie (zie sectie V, "Voorzorgsmaatregelen"). Vermijd littekenweefsel, contouren van het lichaam, vetweefsel en gebieden waar vloeistof zich kan ophopen. Scheer, reinig en droog de plek waar de elektrode geplaatst wordt indien nodig.
- Controleer of de volledige DIP-elektrode goed contact maakt met de huid. Er kunnen brandwonden optreden als er RF-vermogen wordt geleverd aan een DIP-elektrode die onvoldoende contact maakt met de huid.
- Plaats de aansluiting van de DIP-elektrode in de juiste aansluiting op de BMC RF-punctiegenerator volgens de gebruiksaanwijzing van de generator. Zorg ervoor dat de aansluiting van de DIP-elektrode goed in het contact zit.

XII. GEBRUIKSAANWIJZING

De Nykanen RF-draad wordt meestal in de femorale ader ingebracht en vervolgens met behulp van fluoroscopie in de juiste hartkamer geplaatst. Als de draad correct is geplaatst, wordt er RF-vermogen geleverd met de BMC RF-punctiegenerator. Dit resulteert in een punctie van het beoogde hartweefsel.

Voorbereiding op het gebruik van de hulpmiddelen

- De Nykanen-draad wordt steriel geleverd. Gebruik aseptische technieken om de verpakking te openen en het product te gebruiken in het steriele gebied.
- Voorafgaand aan het inbrengen van de Nykanen-draad is de gebruikelijke premedicatie voor hartkatheterisatie vereist.
- De procedure kan percutaan via de femorale ader worden uitgevoerd.
- Als de procedure met de percutane techniek wordt uitgevoerd, wordt er een geleidekatheter gebruikt om de Nykanen-draad in het hart in te brengen op de punctielocatie.
- Voorafgaand aan de punctieprocedure moet de atriumdruk links en rechts gemonitord worden en moet de systemische verzadiging worden bepaald.

- De Nykanen-draad wordt in het rechter atrium ingebracht, waarbij de locatie van de draadtip bevestigd wordt door fluoroscopisch onderzoek.

Aansluiting van de kabel en voerdraad

- Sluit het uiteinde van de kabel met de aansluiting voor de generator volgens de gebruiksaanwijzing van de generator aan op de poort van de geïsoleerde patiëntaansluiting op RFP-100A-generator. De aansluitkabel heeft een ronde aansluiting die zo is uitgevoerd dat die juist tegenover het aansluitpunt moet worden geplaatst. Plaats de pinnen van de aansluiting voorzichtig recht tegenover de openingen in het aansluitpunt en druk de aansluiting in het aansluitpunt totdat die er stevig in zit. Als er wordt geprobeerd om de kabel op een andere manier aan te sluiten, raken de pinnen op de aansluiting beschadigd.
- Gebruik niet te veel kracht bij het aansluiten van de kabel op de generator. Als er te veel kracht wordt gebruikt, kunnen de pinnen op de aansluiting beschadigd raken.
- Pak het uiteinde van de kabel met de aansluiting voor de voerdraad stevig beet met de ene hand. Druk met de duim de rode knop op de bovenkant van de aansluiting in. Steek het proximale uiteinde van de Nykanen-radiofrequentievoerdraad langzaam in de opening van de corresponderende aansluiting van de aansluitkabel. Laat de rode knop op de aansluiting los nadat het niet omhulde gedeelte van het proximale uiteinde van de voerdraad niet meer is te zien. Trek voorzichtig aan de voerdraad om te controleren of die stevig is aangesloten.
- Druk de rode knop op de aansluiting in om de Nykanen-radiofrequentievoerdraad van de aansluitkabel af te halen; haal daarbij het proximale uiteinde van de Nykanen-radiofrequentievoerdraad voorzichtig uit de aansluiting.
- Pak de generatoraansluiting van de aansluitkabel stevig beet en trek die voorzichtig recht uit het aansluitpunt op RFP-100A-generator om de aansluitkabel uit de generator te halen.

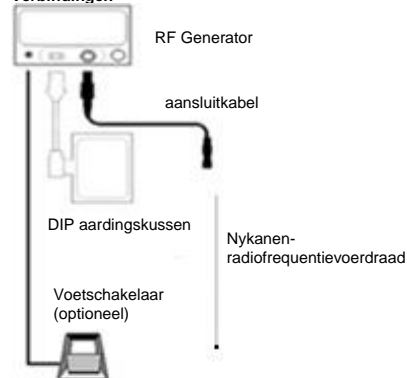
Positionering van de voerdraad

- Breng de Nykanen-draad in zodat de actieve tip verder komt dan de tip van het uiteinde van de katheter en het beoogde weefsel nader. Als de draad correct is geplaatst, kan er RF-vermogen geleverd worden met de BMC RF-punctiegenerator aan de actieve tip. Dit resulteert in een punctie van het beoogde hartweefsel. Zie de gebruiksaanwijzing van de generator voordat u de generator gebruikt.
- OPMERKING: Als de actieve tip van de Nykanen-draad tijdens gebruik wordt gebogen, gooi u de draad onmiddellijk weg. Probeer de actieve tip niet terug te buigen.**

Umistění vodiče

- OPMERKING: Het wordt aanbevolen dat de gebruiker zo weinig mogelijk vermogen gebruikt om de gewenste punctie te maken.**
- Voor RFP-100: Uit onderzoek is gebleken dat een vermogensinstelling van 10 Watt voldoende is om een punctie te kunnen maken. Gebruik geen eerste vermogensinstelling van meer dan 10 Watt.
- Voor RFP-100A: Een eerste instelling van één (1) seconde in de modus "PULSE" wordt aanbevolen. De modus en tijdstellingen voor volgende puncties kunnen indien nodig aangepast worden naargelang het oordeel van de arts. Probeer geen punctie te maken met een eerste instelling van meer dan één (1) seconde in de modus "PULSE".
- Er moet stevige druk op de Nykanen-draad worden uitgeoefend tijdens de procedure om deze in het weefsel in te kunnen brengen.
- De levering van RF-vermogen kan geregeld worden door de knop RF AAN/UIT op de generator in te drukken als de timer niet verstrekken is.
- Als septale punctie niet succesvol is na vijf (5) toepassingen van RF-vermogen, raden we aan dat de gebruiker een alternatieve methode gebruikt voor de procedure.
- Als de eerste punctie met succes is voltooid, moet de Nykanen-draad verder mechanisch worden ingebracht zonder RF-vermogen.
- Door de Nykanen-draad te monitoren aan de hand van fluoroscopie kan gecontroleerd worden of de draad correct is ingebracht in het linker atrium. Als de geleidekatheter verder is ingebracht dan de Nykanen-draad, geeft een kleine injectie met contrastvloeistof aan dat de geleidekatheter nu in het linker atrium is ingebracht.
- De Nykanen-draad kan nu uit de patiënt worden gehaald. De punctie moet vervolgens vergroot worden met de juiste en een goedgekeurde verdunningsmethode. De juiste gebruikersinstructies die met deze verschillende hulpmiddelen worden meegeleverd, moeten worden gevolgd.

Verbindingen



XIII. INSTRUCTIES VOOR REINIGEN EN STERILISEREN

De Nykanen-radiofrequentievoerdraad is bedoeld voor eenmalig gebruik en wordt steriel geleverd. Reinig het hulpmiddel niet of steriliseer het niet opnieuw. Het hulpmiddel kan alleen als steriel worden beschouwd als het voorafgaand aan gebruik niet is geopend of beschadigd.

XIV. AFVOER VAN AFVAL

Behandel de Nykanen-radiofrequentievoerdraad als een hulpmiddel met biologisch risico en voer hem af in overeenstemming met de standaard ziekenhuisprocedures.

XV. KLANTENSERVICE EN INFORMATIE OVER TERUGSTUREN VAN PRODUCTEN

Mocht u problemen met of vragen over Baylis Medical apparatuur hebben, neem dan contact op met ons technisch ondersteuningspersoneel.

Baylis Medical Company Inc.
5959 Trans-Canada Highway
Montreal, Quebec, Canada, H4T 1A1
Phone: (514) 488-9801 or (800) 850-9801
Fax: (514) 488-7209
www.baylismedical.com

OPMERKINGEN:

- Om producten te retourneren, moet u eerst een retourmachtigingsnummer hebben vooraleer u de producten kan terugzenden naar Baylis Medical Company. Instructies voor retourneren van het product krijgt u bij deze gelegenheid.
- Zorg ervoor dat ieder product dat naar Baylis Medical wordt geretourneerd, gereinigd, gedecontamineerd en/of gesteriliseerd is zoals aangegeven op de productretourinstructies, voordat u het voor garantieservices opstuurt. Baylis Medical accepteert geen enkel instrument dat niet naar behoren is gereinigd of gedecontamineerd volgens de productretourinstructies.

XVI. PROBLEEMEN OPLOSSEN

De volgende tabel is bedoeld om de gebruiker te helpen om potentiële problemen te diagnosticeren.

PROBLEEM	OPMERKING EN	PROBLEEMEN OPLOSSEN
Waarschuwingsberichten/fout meldingen generator	Om met behulp van RF-energie een punctie in weefsel te kunnen maken, moet het volledige systeem zijn aangesloten en moeten alle hulpmiddelen correct functioneren.	Zorg ervoor dat alles is aangesloten: - punctiehulpmiddel op aansluitkabel - aansluitkabel op generator - generator op stopcontact - generator op neutrale elektrode Controleer de katheter/draad of kabel visueel op schade. Gooi alle beschadigde hulpmiddelen onmiddellijk weg. Als het probleem zich blijft voordoen, staakt u het gebruik. Voor foutmeldingen/waarschuwing sberichten tijdens pogingen om een punctie te maken, raadpleegt u de bedieningshandleiding van de generator. Als het probleem zich blijft voordoen, bevestigt u een nieuwe aansluitkabel. Als dit het probleem oplost, dan gaat u de beschadigde aansluitkabel weg.
De aansluitkabel kan niet aangesloten worden op de Geïsoleerde patiëntaansluiting op het voorpaneel van de generator	Vanwege veiligheidsred enen moeten de aansluitingen op een bepaalde manier worden aangesloten. Als de "pennen" van de aansluiting niet goed zijn uitgelijnd, passen de aansluitingen niet in elkaar.	Controleer of de pennen van de aansluiting correct zijn uitgelijnd. Zorg ervoor dat de aansluitingen schoon en vrij van obstakels zijn.

	Beschermen tegen rechtstreeks zonlicht
	Uitsluitend voor EU-lidstaten: Als u dit symbool ziet, geeft dit aan dat het product weggegooid moet worden op een manier die in overeenstemming is met de lokale en nationale wetgeving. Voor vragen met betrekking tot recycling van dit hulpmiddel neemt u contact op met uw distributeur.
	Niet-pyrogeen
USE WITH: BMC RFP GENERATORS ONLY	Uitsluitend gebruiken met RFP-generatoren van BMC
POWER APPLICATIONS x5 MAX	Maximaal vijf (5) applicaties voor RF-energie

XVIII. BEPERKTE GARANTIE – Artikelen voor eenmalig gebruik en accessoires

Baylis Medical Company Inc. (BMC) garandeert dat de producten voor eenmalig gebruik en de bijbehorende producten vrij zijn van materiaal- en constructiefouten. BMC garandeert dat steriele producten steriel blijven gedurende periode die op het etiket wordt weergegeven, zolang de oorspronkelijke verpakking intact blijft. Als is aangetoond dat een product dat onder deze beperkte garantie valt materiaal- en constructiefouten bevat, zal BMC onder deze beperkte garantie dit product, volledig en uitsluitend ter beoordeling van BMC, vervangen of repareren, met aftrek van kosten die BMC in rekening worden gebracht voor vervoer en voor arbeid in verband met inspectie, verwijdering of opnieuw in voorraad nemen van het product. De duur van de garantie is: (i) voor producten voor eenmalig gebruik de bewaartijd voor het product en (ii) voor de bijbehorende producten 90 dagen vanaf de verzenddatum. Deze beperkte garantie geldt alleen voor nieuwe, oorspronkelijke, door de fabriek geleverde producten die zijn gebruikt voor hun normale en bedoelde toepassingen. De beperkte garantie van BMC geldt niet voor producten van BMC die opnieuw zijn gesteriliseerd of op enige wijze zijn gerepareerd, veranderd of aangepast en geldt niet voor producten van BMC die niet goed zijn bewaard of in weerwil van de instructies van BMC niet goed zijn gereinigd, geïnstalleerd, gebruikt of onderhouden.

AFWIJZING EN UITSLUITING VAN ANDERE GARANTIES

De beperkte garantie hierboven is de enige garantie die de verkoper biedt. De verkoper wijst alle garanties af, hetzij uitdrukkelijk of impliciet, inclusief iedere garantie van verkoopbaarheid of geschiktheid voor een bepaald gebruik of doel.

BEPERKING VOOR AANSPRAKELIJKHEID VOOR SCHADE

Baylis Medical Company Inc. (BMC) garandeert dat haar artikelen voor eenmalig gebruik en accessoires vrij zijn van materiaal- en verwerkingsfouten. BMC garandeert dat steriele producten steriel blijven voor een periode die op het etiket is aangegeven, met de originele verpakking intact blijft. Als blijkt dat dit product qua oorspronkelijke verwerking of materiaal toch fouten vertoont, dan vervangt of repareert BMC het onder deze beperkte garantie naar eigen goeddunken, verminderd met de kosten die BMC maakt voor transport en arbeid ten gevolge van inspectie, verwijdering of aanvullen van productvoorraden. De duur van de garantie bedraagt: (i) voor producten voor eenmalig gebruik, de levensduur van het product en (ii) voor accessoires 90 dagen vanaf de verzenddatum.

Deze beperkte garantie is alleen van toepassing op nieuwe originele producten zoals geleverd vanaf de fabriek en die gebruikt zijn voor normale en beoogde doeleinden. BMC's beperkte garantie is niet van toepassing op BMC-producten die zijn gehersteriliseerd, gerepareerd, gewijzigd of gemodificeerd op enigerlei wijze en is niet van toepassing op BMC-producten die incorrect zijn opgeslagen of incorrect zijn gereinigd, bediend of onderhouden, anders dan volgens BMC's instructies.

UITSLUITING EN BEPERKING VAN AANSPRAKELIJKHEID DE BEPERKTE GARANTIE HIERBOVEN IS DE ENIGE GARANTIE DIE DE VERKOPER BIJDT. DE VERKOPER SLUIT IEDERE ANDERE EXPLICIETE OF IMPLICIETE GARANTIE UIT, INCLUSIEF IEDERE GARANTIE VAN VERKOOPBAARHEID OF BRUIKBAARHEID VOOR EEN BEPAALD DOEL. HET RECHTSMIDDEL HIERIN IS HET ENIGE RECHTSMIDDEL VOOR IEDERE GARANTIEVORDERING.

AANVULLENDE VERGOEDINGEN, INCLUSIEF VOOR VERVOLGSCHADE OF VERGOEDINGEN WEGENS BEDRIJFSONDERBREKING OF WINSTDERVING, VERLIES VAN OMZET, MATERIAAL, VERWACHTE BESPARINGEN, DATA, CONTRACTEN, GOODWILL OF DERGELIJKE (DIRECT OF INDIRECT VAN AARD) OF ENIGE ANDERE VORM VAN INCIDENTELE OF INDIRECTE SCHADE VAN ENIGE AARD STAAN NIET TER BESCHIKING. DE MAXIMALE CUMULATIEVE AANSPRAKELIJKHEID VOOR ALLE ANDERE VORDERINGEN EN AANSPRAKELIJKHEDEN, INCLUSIEF VERPLICHTINGEN ONDER ENIGE SCHADEVERGOEDING, VERZEKERD OF NIET, ZAL DE KOSTEN VAN HET PRODUCT / DE PRODUCTEN DIE AANLEIDING GAVEN TOT DE VORDERING OF AANSPRAKELIJKHEID NIET OVERSTIJGEN. DE VERKOPER WIJST IEDERE AANSPRAKELIJKHEID VAN DE HAND VOOR GRATIS INFORMATIE OF ASSISTENTIE VERLEEND DOOR, MAAR NIET VERLANGD VAN DE VERKOPER HIERONDER. IEDERE ACTIE TEGEN DE VERKOPER MOET BINNEN ACHTTIEN (18) MAANDEN NA OPTREDEN VAN DE OORZAAK VAN DE ACTIE WORDEN INGEDIEND. DEZE UITSLUITINGEN EN BEPERKINGEN VAN AANSPRAKELIJKHEID ZIJN VAN TOEPASSING ONGEACHT ENIGE ANDERE VOORZIENING HIERIN EN ONGEACHT DE VORM VAN DE ACTIE, IN CONTRACT, ONRECHTMATIGHEID (INCLUSIEF NALATIGHEID EN STRIKTE AANSPRAKELIJKHEID) OF ANDERSZINS, EN ZAL ZICH VERDER UITSTREKKEN TEN VOORDELE VAN DE LEVERANCIERS VAN DE VERKOPER, BENOEMDE DISTRIBUTEURS EN ANDERE GEAUTORISEERDE HERVERKOPERS ALS BEGUNSTIGDE DERDEN. IEDRE VOORZIENING HIERIN DIE EEN AANSPRAKELIJKHEIDSBEPERKING, UITSLUITING VAN GARANTIE OF VOORWAARDE OF UITSLUITING VAN SCHADEVERGOEDING VORMT, IS ONAFHANKELIJK VAN IEDERE ANDERE VOORZIENING EN MOET AFZONDERLIJK TEN UITVOER WORDEN GEBRACHT.

IN IEDER GEVAL VAN SCHADEVORDERING OF RECHTSGEDING NAAR AANLEIDING VAN EEN BEWEERDE GARANTIEBREUK, CONTRACTBREUK, ONACHTZAAMHEID, PRODUCTAANSPRAKELIJKHEID OF ENIGE ANDERE VORM VAN JURIDISCHE OF RECHTSOPVATTING STEMT DE KOPER ER SPECIFIEK MEE IN DAT BMC NIET AANSPRAKELIJK ZAL WORDEN GEHOUDEN VOOR SCHADE OF WINSTDERVING, NOCH DOOR DE KOPER NOCH DOOR KLANTEN VAN DE KOPER. BMC'S AANSPRAKELIJKHEID VOOR SCHADEVERGOEDINGEN BLIJFT BEPERKT TOT DE KOSTEN VOOR

XVII. LABELS EN SYMBOLEN

	Fabrikant
	Bevoegd vertegenwoordiger in de EU
	Gesteriliseerd met ethyleenoxide
	Te gebruiken tot
	Let op
	Zie de gebruiksaanwijzing
	Modelnummer
Rx ONLY	Let op: volgens de federale wetgeving van de VS mag dit instrument uitsluitend door of namens een arts worden verkocht.
	Voor eenmalig gebruik – Niet opnieuw gebruiken
	Niet opnieuw steriliseren
	Partijnummer
	Niet gebruiken indien de verpakking beschadigd is

**DE KOPER VAN DE DESBETREFFENDE PRODUCTEN VERKOCHT DOOR BMC
AAN DE KOPER, DIE AANLEIDING GEVEN TOT VORDERING VAN
AANSPRAKELIJKHEID.**

Geen agent, medewerker of vertegenwoordiger van Baylis Medical is bevoegd het bedrijf te binden door enige andere garantie, toezegging of representatie aangaande het product.

Deze garantie geldt alleen voor de oorspronkelijke koper van producten van Baylis Medical direct van een door Baylis erkende agent. De oorspronkelijke koper kan de garantie niet overdragen.

Het gebruik van BMC-producten zal worden opgevat als instemming met de gebruiksvoorwaarden hierin.

De garantieperiode voor producten van Baylis Medical zijn als volgt:

Producten voor eenmalig gebruik	De levensduur van het product
Accessoires	90 dagen vanaf de verzenddatum